

YAMAHA RS150

ASSEMBLY INSTRUCTIONS

INTRODUCTION

Thank you for purchasing the Yamaha Electronic Drum Rack System RS150. Before using, thoroughly read these assembly instructions, and use this product safely and correctly.

PRECAUTIONS

Before using, please read this "Assembly Instruction" sheet, and use this product in a safe and proper manner.

Especially for children, parents or an instructor should teach the children the proper manner in which to use the device.

To prevent against accidents and injury

Please follow the cautions listed below

- ⚠ Caution (including danger, or warning). This mark indicates cautions in which you should pay close attention to.
- ⊘ Acts indicated with this icon are prohibited and should not be attempted.

⚠ WARNING	If this symbol is ignored and the equipment is used improperly, fatal injury to persons or serious damage could occur.
⚠	Always set the instrument on a flat and solid surface. Placement on a sloping, unstable surface or on steps may result in the instrument being unstable and overturning.
⚠	Make sure all bolts are tightened firmly. Loose bolts may result in the rack overturning or parts dropping causing injury.
⊘	When adjusting the height or angle, do not suddenly loosen the bolt. The pad may drop, the rack or pipes may slip, pinching or causing injury to hands or fingers.
⊘	Do not sit or step on the rack. The rack may overturn or be damaged resulting in injury.
⚠	Please be careful when children are close to or touching the product. The product has many pipes and arms so careless movement around the product may result in injury.
⚠	When setting the pads and modules, please pay close attention in regards to the handling and setting of cables. Feet may become entangled in the cables resulting in falls.
⚠ CAUTION	If this symbol is ignored and the equipment is used improperly, there is a danger of injury to persons handling the equipment, and material damage could occur.
⊘	Do not put your hands or feet under the foot pedal or foot switch. They may be pinched resulting in injury.
⚠	Watch your fingers when adjusting clamps. They may become pinched resulting in injury.
⚠	Be careful around pipe ends, inside the pipe and screw ends. Metal shavings, etc. may injure your fingers.
⊘	Do not attach acoustic drums to the electronic drum rack. Clamps may be damaged and drums may drop, causing injury.

* Specifications are subject to change without notice.

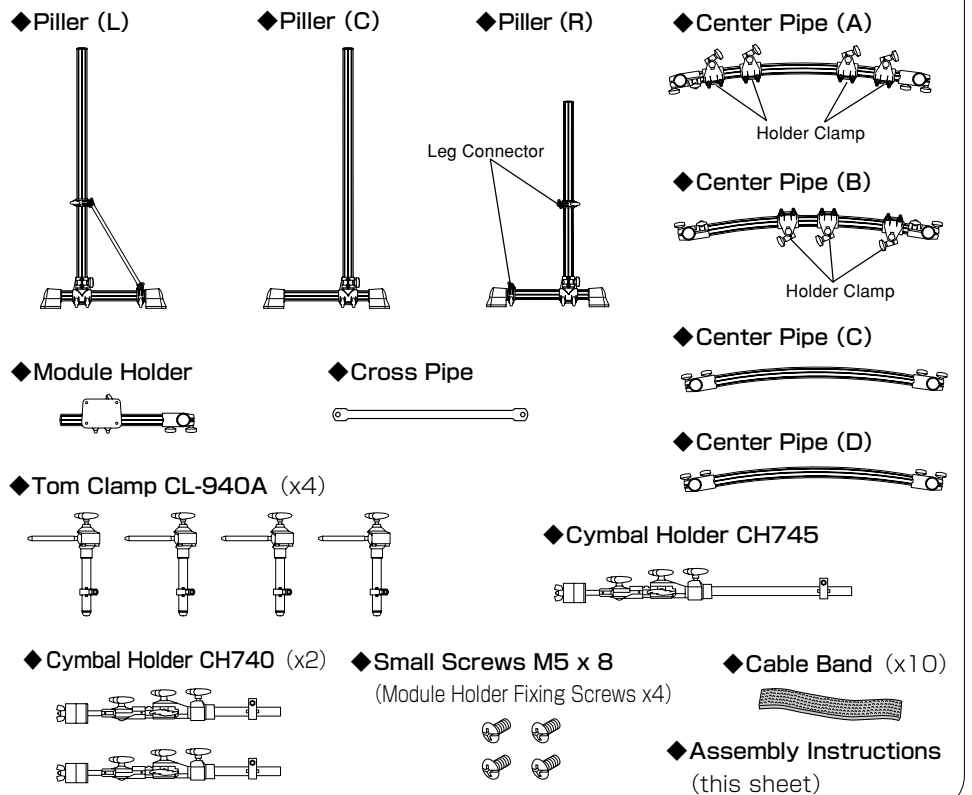
Handling Precautions

- Do not alter the product. Doing so may result in damage or deterioration to the product.
- Do not step on or place heavy objects on the product. It may result in damage.
- Do not use or keep the product in places with extremely high temperature (places in direct sunlight, close to a heater, in a closed car, etc.) or damp (bathroom, outside on a rainy day, etc.). It may result in deformation, discoloration, stickiness, damage or deterioration.
- To clean the product, please wipe with a soft cloth or a damp cloth that has been wrung out thoroughly. If the product is soiled or sticky, use a neutral detergent on a cloth then wipe with a damp cloth that has been wrung out thoroughly to remove any remaining detergent. **Do not use benzene, thinner or alcohol as it may result in discoloration or deformation.** Also pay close attention so as not to let the water and detergent come into contact with the cushions used in the product, it may result in deterioration.

Inside This Package

Before setup, please make sure that all of the items listed below are present and accounted for. If anything is missing, please contact the dealer from whom you purchased the unit.

* Before assembling the rack stand, make sure all of the parts shown below are included.



RS150 Assembly

* Parts for the RS150's main structure have already been assembled before packing. After removing the unit from the box, follow the instructions described below to complete the assembly. A Phillips (+) screwdriver is required when attaching the DTXTREME IIS. Please prepare one before starting assembly.

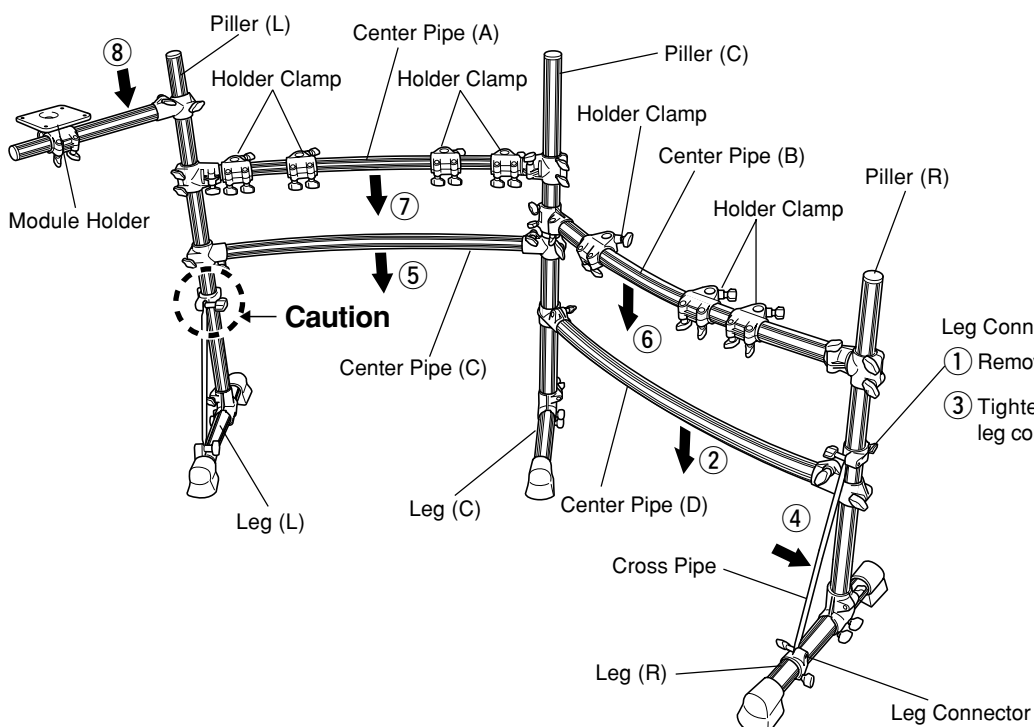
1 After removing the unit from the box, remove all cushion material.

2 Setting up the parts

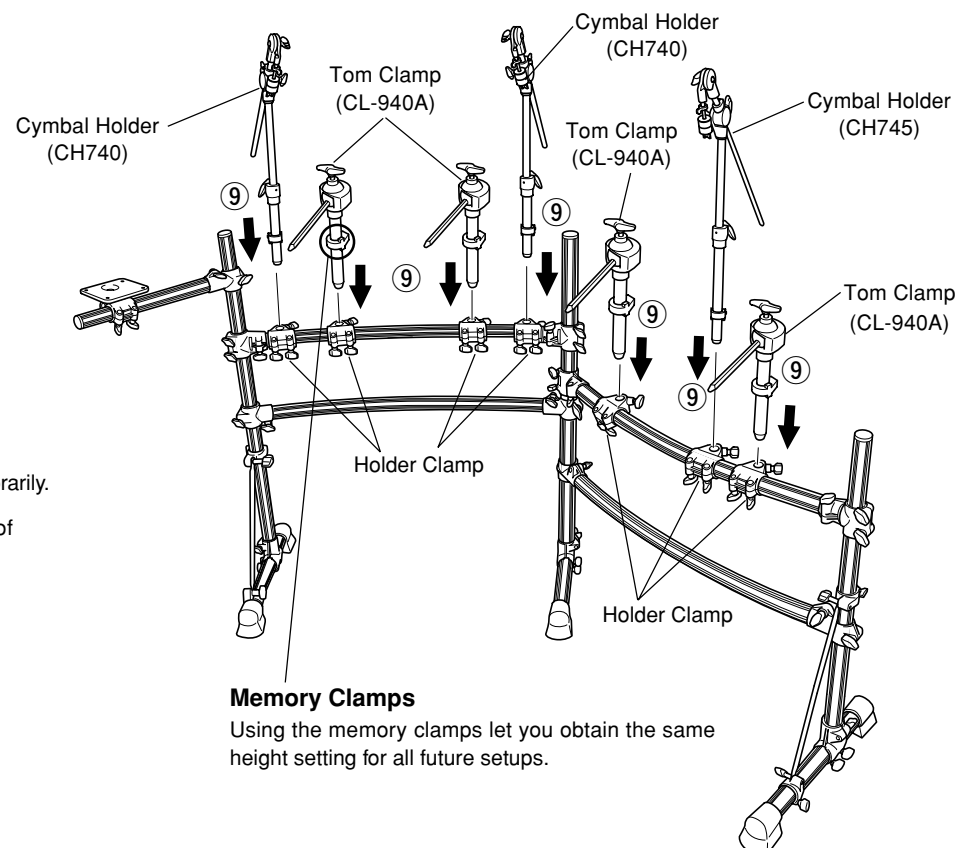
Follow the setup order (①~⑨) in the diagrams shown below.

- ① Temporarily remove the leg connector from pillar (R).
- ② Attach center pipe (D) to pillar (R) and pillar (C), and secure.
- ③ Reattach the leg connector.
- ④ Attach the cross pipe to the leg connector.
- ⑤ Attach center pipe (C) to pillar (L) and pillar (C), and secure.

Caution : Make sure the bolts marked with a "⊘" are loosened before setting up.

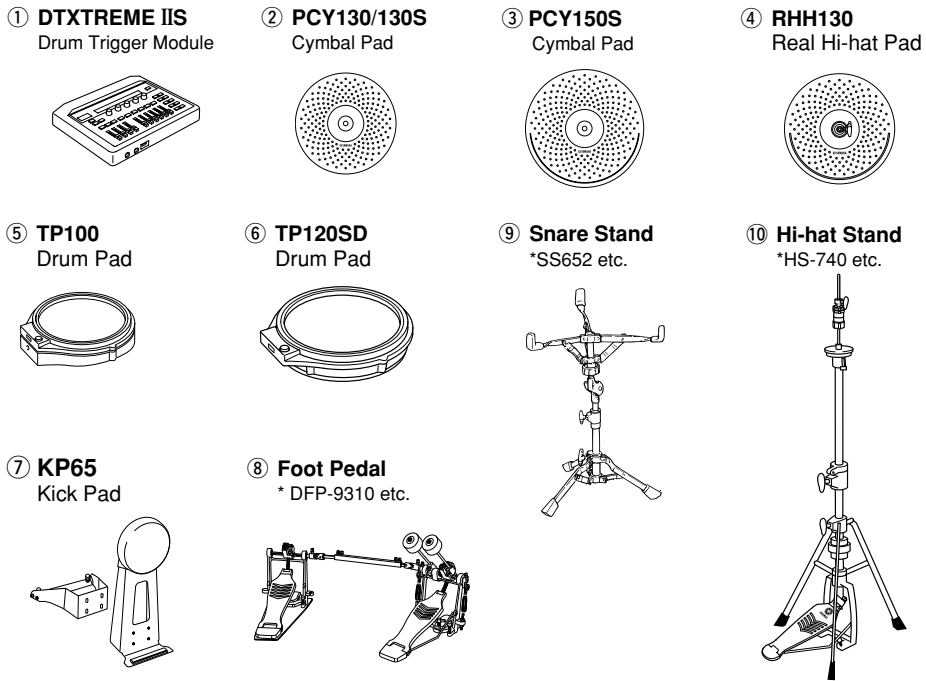


- ⑥ Attach center pipe (B) to pillar (R) and pillar (C), and secure.
- ⑦ Attach center pipe (A) to pillar (L) and pillar (C), and secure.
- ⑧ Attach the module holder to pillar (L), and secure.
- ⑨ Attach the cymbal holders and tom clamps to the holder clamps, and secure.

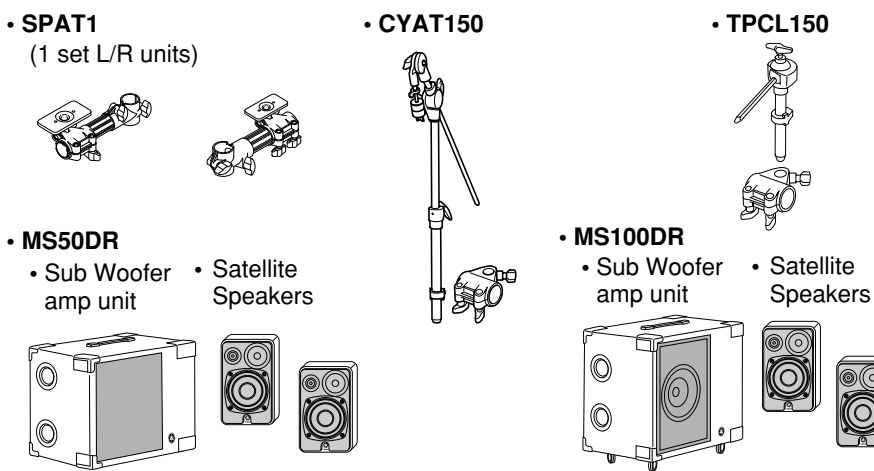


Optional Parts

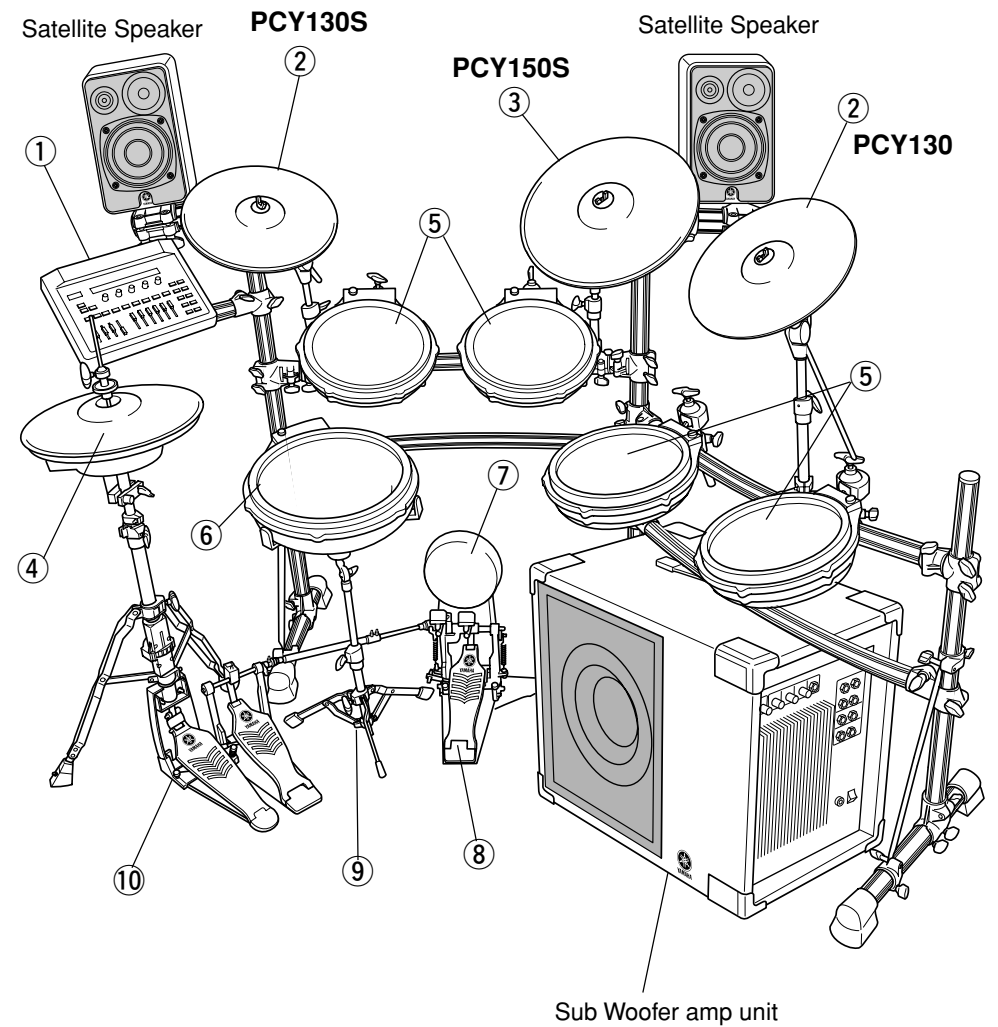
Pad and Drum Trigger Grouping



Monitor System and Attachment Grouping



Set up example

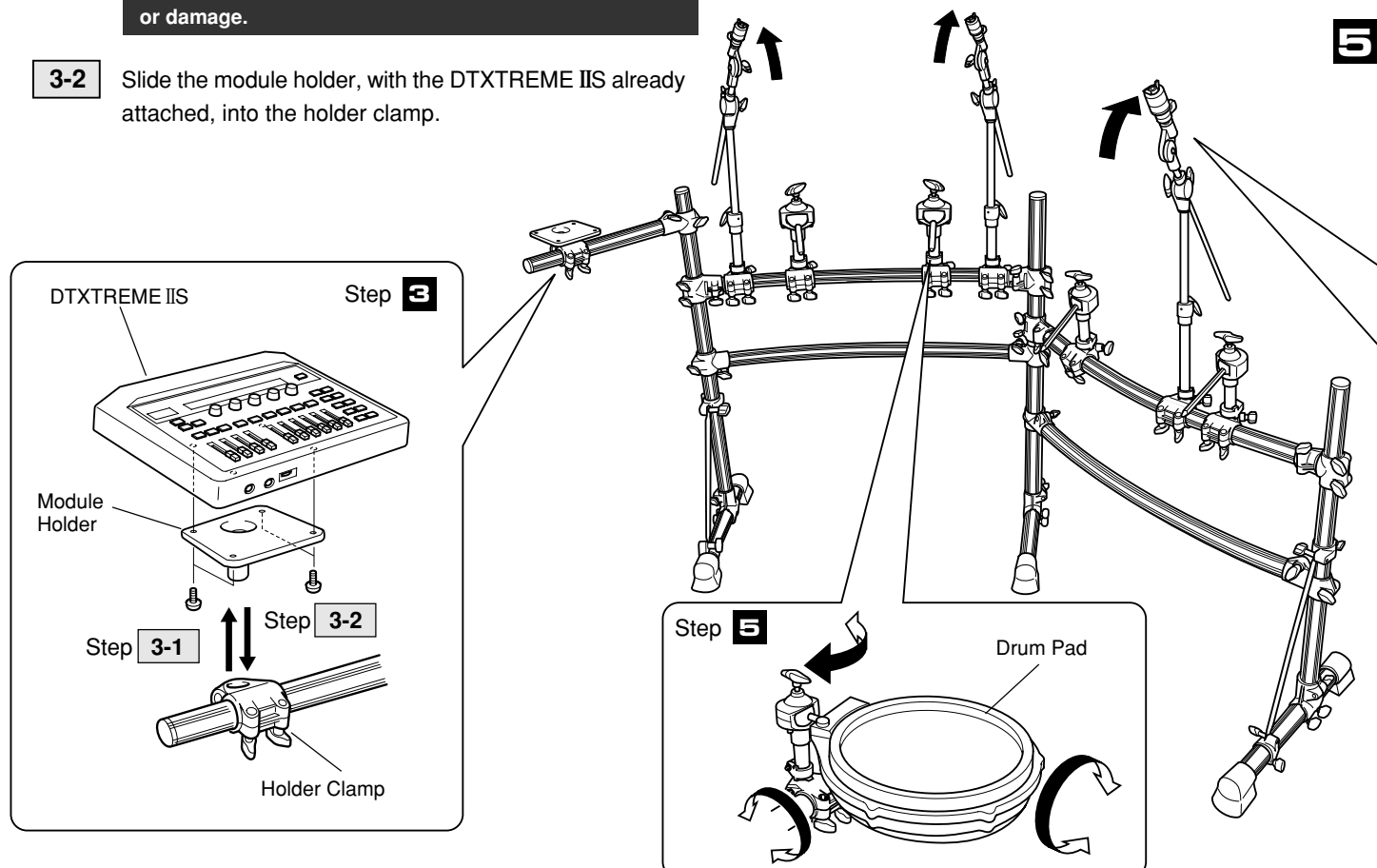


3 Attaching the DTXTREME IIS

- 3-1** Remove the module holder from the holder clamp, and use the supplied screws to attach the DTXTREME IIS.

Make sure only the supplied screws are used. Using any other screws may result in the unit falling off the holder or damage.

- 3-2** Slide the module holder, with the DTXTREME IIS already attached, into the holder clamp.



4 Attaching the cymbal pads

Attach the cymbal pads to the cymbal holders and adjust their position, then secure in place. (Please refer to the Owner's Manual that came with the cymbal pads on attaching the cymbal pads.)

5 Attaching the drum pads

Attach the drum pads to the tom clamp and adjust their position, then secure in place.

Make sure all bolts on clamps, pads, etc., are tightened firmly. However, loose or over-tightened bolts may result in the part falling off and/or damage. Please use caution. After assembly is complete, setup the kick pad, real hi-hat pad, etc., and connect the cables. Use the supplied cable bands to secure the cables to the frame pipes to keep cables out of the way during performance. If the rack is moved even after setup is complete, make sure the bolts are loosened before moving the rack.