



RIVAGE PM Series OSC Specifications

Version 1.0.0 rev.1

This specification document applies to RIVAGE PM Firmware V5.00 and later.

OSC (Open Sound Control) is a protocol for transmitting control information of electronic musical instruments / audio equipment, etc. via a network. This protocol can be used to remotely control the RIVAGE PM series. This document describes the connection and setup procedure for remote control using this protocol and lists the necessary parameter information.

Table of contents

0. Revision History	2
1. Setup	3
1.1. Connection Procedure	3
1.2. RIVAGE PM Configuration	3
1.3. Configuring the Remote Controller	3
1.4. Configuration Examples	3
1.4.1. Parameter setting Examples	3
1.4.2. Snapshot setting example	3
2. Parameter	4
2.1. Parameter List	4
2.2. Parameter Value Detail	12

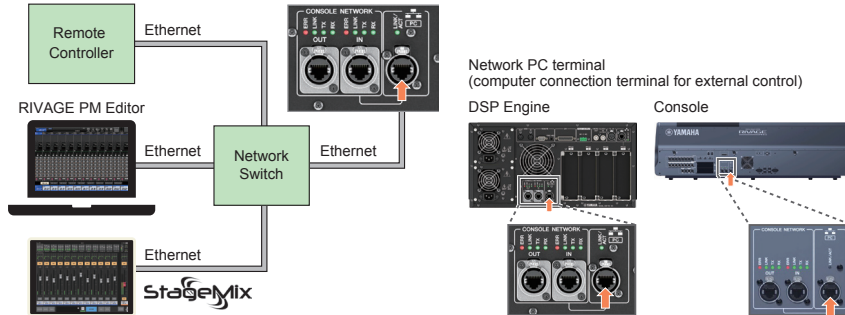
0. Revision History

Version	Date	Section	Description
V1.0.0	Jun.1.2021	-	Initial version

1. Setup

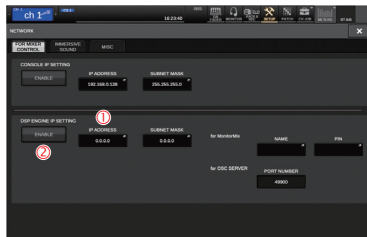
1.1. Connection Procedure

Connect the remote controller to the network terminal of each device as shown below. The device to be controlled is specified by its IP address. Connect RIVAGE PM to the Network PC terminal (computer connection terminal for external control) of either the Console or the DSP Engine. Up to 10 remote controllers can be connected to one RIVAGE PM system.

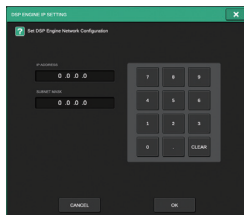


1.2. RIVAGE PM Configuration

DSP Engine IP address setting:
Uses the same IP address as MonitorMix and Immersive Sound connections.
Open the following NETWORK window from SETUP in the menu bar.



① Set the IP address and subnet mask in DSP ENGINE IP SETTING.



② After completing the settings, turn on the ENABLE button.

1.3. Configuring the Remote Controller

RIVAGE PM can be controlled from an external device via Ethernet (NETWORK terminal). The settings on the remote controller side for each connection are as follows -
IP Address: Specify the DSP ENGINE IP SETTING IP address of the RIVAGE PM system to be controlled.
IP Port No.: UDP 49900

1.4. Configuration Examples

Below are several example commands set using an OSC Controller, in this case with the QLab application. Qlab does not require type tags to be added to the command. A type tag may be required depending on the OSC Controller application, please check this for the OSC controller to be used.

1.4.1. Parameter setting Examples

Set the fader level of input channel 1 to -∞

Category	Parameter Description	<Action>	<OSC address>	<X>	X name	<Y> range	Y name	<type tag>	type tag	<value>		value	unit	comment
										min	max			
Input Channel	Input Channel Fader Level	set	MIXER:Current/InCh/Fader/Level	1 - InputChannelNum	Input Channel	1	-	i:	int	-32768	1000	100	dB	-Infinity - +10dB

Format: /yosc:req/<Action>/<OSC address>/<X>/<Y> <value>

Command: /yosc:req/set/MIXER:Current/InCh/Fader/Level/1/1 -32768

Set the channel color of MIX channel 1 to pink

Category	Parameter Description	<Action>	<OSC address>	<X>	X name	<Y> range	Y name	<type tag>	type tag	<value>		value	unit	comment
										min	max			
Mix Bus	Mix Channel Color	set	MIXER:Current/Mix/Label/Color	1 - MixChannelNum	Mix Bus	1	-	s:	string	-	-	-	-	See Table 2

Format: /yosc:req/<Action>/<OSC address>/<X>/<Y> <value>

Command: /yosc:req/set/MIXER:Current/Mix/Label/Color/1/1 Pink

Remark: The " " in <Value> is not required in Qlab.

1.4.2. Snapshot setting example

Recall SCENE 5.00

Category	Parameter Description	<Action>	<OSC address>	<X>	X name	<Y> range	Y name	<type tag>	type tag	<value>		value	unit	comment
										min	max			
Scene	Recall Scene	ssrecallt_ex	MIXER:Lib/Scene	-	-	-	-	s:	string	"1.00"	"999.99"	-	-	-

Format: /yosc:req/<Action> <OSC address> <value>

Command: /yosc:req/ssrecallt_ex MIXER:Lib/Scene "5.00"

2. Parameter

2.1. Parameter List

Format /yosc:req/<Action>/<OSC address>/<X>/<Y> <type tag> <value>

Category	Parameter Description	<Action>	<OSC address>	<X>	X name	<Y>	Y name	<type tag>	type tag	<value>		value		comment
										min	max	scaling	unit	
Cue	Active Cue	set	MIXER:Current/Cue/ActiveCue	1 - 2	Cue A/B	1	-	s:	string	See Table 1		-	-	
Cue	Cue Mode	set	MIXER:Current/Cue/CueMode	1 - 2	Cue A/B	1	-	s:	string	See comment		-	-	"MIX", "LAS"
Cue	DCA Group Cue ON/OFF	set	MIXER:Current/Cue/DCA/On	1 - 24	DCA channel	1 - 2	Cue A/B	i:	int	0	1	1	-	0: OFF, 1: ON
Cue	DCA Group Cue Point	set	MIXER:Current/Cue/DCA/Point	1 - 2	Cue A/B	1	-	s:	string	See comment		-	-	"PRE PAN", "POST PAN"
Cue	DCA Group Unity Gain ON/OFF	set	MIXER:Current/Cue/DCA/Unity	1 - 2	Cue A/B	1	-	i:	int	0	1	1	-	0: OFF, 1: ON
Cue	Fader Cue Release ON/OFF	set	MIXER:Current/Cue/FaderCueRelease	1 - 2	Cue A/B	1	-	i:	int	0	1	1	-	0: OFF, 1: ON
Input Channel	Input Channel Cue ON/OFF	set	MIXER:Current/Cue/InCh/On	1 - InputChannelNum	Input Channel	1 - 2	Cue A/B	i:	int	0	1	1	-	0: OFF, 1: ON
Cue	Input Channel Cue Point	set	MIXER:Current/Cue/InCh/Point	1 - 2	Cue A/B	1	-	s:	string	See comment		-	-	"PFL PRE FILTER", "PFL PRE FADER", "AFL", "POST PAN"
Matrix Bus	Matrix Channel Cue ON/OFF	set	MIXER:Current/Cue/Mtrx/On	1 - MatrixChannelNum	Matrix Bus	1 - 2	Cue A/B	i:	int	0	1	1	-	0: OFF, 1: ON
Cue	Cue Output Level	set	MIXER:Current/Cue/Out/Level	1 - 2	Cue A/B	1	-	i:	int	-32768	1000	100	dB	-Infinity - +10dB
Cue	Cue ON/OFF	set	MIXER:Current/Cue/Out/On	1 - 2	Cue A/B	1	-	i:	int	0	1	1	-	0: OFF, 1: ON
Cue	Output Channel Cue Point	set	MIXER:Current/Cue/OutCh/Point	1 - 2	Cue A/B	1	-	s:	string	See comment		-	-	"PFL", "AFL"
Stereo Channel	Stereo Channel Cue ON/OFF	set	MIXER:Current/Cue/St/On	1 - StereoChannelNum	Stereo channel	1 - 2	Cue A/B	i:	int	0	1	1	-	0: OFF, 1: ON
Surround Cue	Cue Mode in 5.1 surround mode	set	MIXER:Current/Cue/Surr/CueMode	1	-	1	-	s:	string	See comment		-	-	"MIX", "LAST"
DCA	DCA Group Fader Level	set	MIXER:Current/DCA/Fader/Level	1 - 24	DCA channel	1	-	i:	int	-32768	1000	100	dB	-Infinity - +10dB
DCA	DCA Group ON/OFF	set	MIXER:Current/DCA/Fader/On	1 - 24	DCA channel	1	-	i:	int	0	1	1	-	0: OFF, 1: ON
DCA	DCA Group Group Color	set	MIXER:Current/DCA/Label/Color	1 - 24	DCA channel	1	-	s:	string	See Table 2		-	-	
DCA	DCA Group Channel Icon	set	MIXER:Current/DCA/Label/Icon	1 - 24	DCA channel	1	-	s:	string	See Table 3		-	-	
DCA	DCA Group Group Name	set	MIXER:Current/DCA/Label/Name	1 - 24	DCA channel	1	-	s:	string	See comment		-	-	Max 8 characters
Patch	Digital Out Port Patch	set	MIXER:Current/DigitalOutPort/Patch	1 - 2	Console ID	1 - 8	AES Out Channel	s:	string	See Table 4		-	-	
Input Channel	Input Channel DCA Group Assign	set	MIXER:Current/InCh/DCA/Assign	1 - InputChannelNum	Input Channel	1 - 24	DCA Group	i:	int	0	1	1	-	0: OFF, 1: ON
Input Channel	Input Channel Delay On	set	MIXER:Current/InCh/Delay/On	1 - InputChannelNum	Input Channel	1	-	i:	int	0	1	1	-	0: OFF, 1: ON
Input Channel	Input Channel Delay Time	set	MIXER:Current/InCh/Delay/Time	1 - InputChannelNum	Input Channel	1	-	i:	int	0	1000000	1000	ms	0 - 1000ms
Input Channel	Dynamics1 Attack	set	MIXER:Current/InCh/Dyna1/Attack	1 - InputChannelNum	Input Channel	1	-	i:	int	10	80000	1000	ms	0.010ms - 80ms
Input Channel	Dynamics1 Attack	set	MIXER:Current/InCh/Dyna1/Attack	1 - InputChannelNum	Input Channel	1	-	i:	int	0	120	1	ms	0ms - 120ms
Input Channel	Dynamics1 Decay	set	MIXER:Current/InCh/Dyna1/Decay	1 - InputChannelNum	Input Channel	1	-	i:	int	3340	42700000	1000	ms	3.34ms - 42.7s
Input Channel	Dynamics1 DeEsser Type	set	MIXER:Current/InCh/Dyna1/DeEsserType	1 - InputChannelNum	Input Channel	1	-	s:	string	See comment		-	-	"BELL", "HIGH SHELF"
Input Channel	Dynamics1 Freq	set	MIXER:Current/InCh/Dyna1/Freq	1 - InputChannelNum	Input Channel	1	-	i:	int	8000	160000	10	Hz	800Hz - 16kHz
Input Channel	Dynamics1 Gain	set	MIXER:Current/InCh/Dyna1/Gain	1 - InputChannelNum	Input Channel	1	-	i:	int	-200	400	10	dB	-20dB - 40dB
Input Channel	Dynamics1 Hold	set	MIXER:Current/InCh/Dyna1/Hold	1 - InputChannelNum	Input Channel	1	-	i:	int	20	1960000	1000	ms	0.02ms - 1.96s
Input Channel	Dynamics1 Knee	set	MIXER:Current/InCh/Dyna1/Knee	1 - InputChannelNum	Input Channel	1	-	s:	string	See Table 5		-	-	
Input Channel	Dynamics1 ON/OFF	set	MIXER:Current/InCh/Dyna1/On	1 - InputChannelNum	Input Channel	1	-	i:	int	0	1	1	-	0: OFF, 1: ON
Input Channel	Dynamics1 Q	set	MIXER:Current/InCh/Dyna1/Q	1 - InputChannelNum	Input Channel	1	-	i:	int	500	25000	1000		0.5 - 25.0
Input Channel	Dynamics1 Range	set	MIXER:Current/InCh/Dyna1/Range	1 - InputChannelNum	Input Channel	1	-	i:	int	-32768	0	100	dB	-Infinity - 0dB
Input Channel	Dynamics1 Ratio	set	MIXER:Current/InCh/Dyna1/Ratio	1 - InputChannelNum	Input Channel	1	-	i:	int	10	255	10		See Table 18 Dynamics Ratio

2. Parameter

Category	Parameter Description	<Action>	<OSC address>	<X>	X name	<Y>	Y name	<type tag>	type tag	<value>		value		comment
										min	max	scaling	unit	
Input Channel	Dynamics1 Release	set	MIXER:Current/InCh/Dyna1/Release	1 - InputChannelNum	Input Channel	1	-	i:	int	3340	42700000	1000	ms	Range for COMP260 is 6.2ms - 999ms
Input Channel	Dynamics1 Threshold	set	MIXER:Current/InCh/Dyna1/Threshold	1 - InputChannelNum	Input Channel	1	-	i:	int	-600	0	10	dB	Min Val for GATE, DUCKING: -72db (720)
Input Channel	Dynamics1 Type	set	MIXER:Current/InCh/Dyna1/Type	1 - InputChannelNum	Input Channel	1	-	s:	string	See Table 6		-	-	
Input Channel	Dynamics2 Attack	set	MIXER:Current/InCh/Dyna2/Attack	1 - InputChannelNum	Input Channel	1	-	i:	int	10	80000	1000	ms	0.010ms - 80ms
Input Channel	Dynamics2 Attack	set	MIXER:Current/InCh/Dyna2/Attack	1 - InputChannelNum	Input Channel	1	-	i:	int	0	120	1	ms	0ms - 120ms
Input Channel	Dynamics2 Decay	set	MIXER:Current/InCh/Dyna2/Decay	1 - InputChannelNum	Input Channel	1	-	i:	int	3340	42700000	1000	ms	3.34ms - 42.7s
Input Channel	Dynamics2 DeEsser Type	set	MIXER:Current/InCh/Dyna2/DeEsserType	1 - InputChannelNum	Input Channel	1	-	s:	string	See comment		-	-	"BELL", "HIGH SHELF",
Input Channel	Dynamics2 Freq	set	MIXER:Current/InCh/Dyna2/Freq	1 - InputChannelNum	Input Channel	1	-	i:	int	8000	160000	10	Hz	800Hz - 16kHz
Input Channel	Dynamics2 Gain	set	MIXER:Current/InCh/Dyna2/Gain	1 - InputChannelNum	Input Channel	1	-	i:	int	-200	400	10	dB	-20dB - 40dB
Input Channel	Dynamics2 Hold	set	MIXER:Current/InCh/Dyna2/Hold	1 - InputChannelNum	Input Channel	1	-	i:	int	20	1960000	1000	ms	0.02ms - 1.96s
Input Channel	Dynamics2 Knee	set	MIXER:Current/InCh/Dyna2/Knee	1 - InputChannelNum	Input Channel	1	-	s:	string	See Table 5		-	-	
Input Channel	Dynamics2 ON/OFF	set	MIXER:Current/InCh/Dyna2/On	1 - InputChannelNum	Input Channel	1	-	i:	int	0	1	1	-	0: OFF, 1: ON
Input Channel	Dynamics2 Q	set	MIXER:Current/InCh/Dyna2/Q	1 - InputChannelNum	Input Channel	1	-	i:	int	500	25000	1000	-	0.5 - 25.0
Input Channel	Dynamics2 Range	set	MIXER:Current/InCh/Dyna2/Range	1 - InputChannelNum	Input Channel	1	-	i:	int	-32768	0	100	dB	-Infinity - 0dB
Input Channel	Dynamics2 Ratio	set	MIXER:Current/InCh/Dyna2/Ratio	1 - InputChannelNum	Input Channel	1	-	i:	int	10	255	10	-	See Table 18 Dynamics Ratio
Input Channel	Dynamics2 Release	set	MIXER:Current/InCh/Dyna2/Release	1 - InputChannelNum	Input Channel	1	-	i:	int	3340	42700000	1000	ms	Range for COMP260 is 6.2ms - 999ms
Input Channel	Input Channel Dynamics2 Threshold	set	MIXER:Current/InCh/Dyna2/Threshold	1 - InputChannelNum	Input Channel	1	-	i:	int	-600	0	10	db	Min Val for GATE, DUCKING: -72db (720)
Input Channel	Input Channel Dynamics2 Type	set	MIXER:Current/InCh/Dyna2/Type	1 - InputChannelNum	Input Channel	1	-	s:	string	See Table 6		-	-	
Input Channel	Input Channel Fader Level	set	MIXER:Current/InCh/Fader/Level	1 - InputChannelNum	Input Channel	1	-	i:	int	-32768	1000	100	dB	-Infinity - +10dB
Input Channel	Input Channel ON/OFF	set	MIXER:Current/InCh/Fader/On	1 - InputChannelNum	Input Channel	1	-	i:	int	0	1	1	-	0: OFF, 1: ON
Input Channel	HPF Frequency	set	MIXER:Current/InCh/HPF/Freq	1 - InputChannelNum	Input Channel	1 - 2	Bank A/B	i:	int	200	20000	10	Hz	20Hz - 2kHz
Input Channel	HPF ON/OFF	set	MIXER:Current/InCh/HPF/On	1 - InputChannelNum	Input Channel	1 - 2	Bank A/B	i:	int	0	1	1	-	0: OFF, 1: ON
Input Channel	HPF Slope	set	MIXER:Current/InCh/HPF/Slope	1 - InputChannelNum	Input Channel	1 - 2	Bank A/B	i:	int	6	24	1	dB/oct	dB/oct
Input Channel	Input Channel Color	set	MIXER:Current/InCh/Label/Color	1 - InputChannelNum	Input Channel	1	-	s:	string	See Table 2		-	-	
Input Channel	Input Channel Channel Icon	set	MIXER:Current/InCh/Label/Icon	1 - InputChannelNum	Input Channel	1	-	s:	string	See Table 3		-	-	
Input Channel	Input Channel Channel Name	set	MIXER:Current/InCh/Label/Name	1 - InputChannelNum	Input Channel	1	-	s:	string	See comment		-	-	Max 8 characters
Input Channel	LPF Frequency	set	MIXER:Current/InCh/LPF/Freq	1 - InputChannelNum	Input Channel	1 - 2	Bank A/B	i:	int	200	200000	10	Hz	20Hz - 20kHz
Input Channel	LPF ON/OFF	set	MIXER:Current/InCh/LPF/On	1 - InputChannelNum	Input Channel	1 - 2	Bank A/B	i:	int	0	1	1	-	0: OFF, 1: ON
Input Channel	LPF Slope	set	MIXER:Current/InCh/LPF/Slope	1 - InputChannelNum	Input Channel	1 - 2	Bank A/B	i:	int	6	12	1	dB/oct	dB/oct
Input Channel	Input Channel Pan Mode	set	MIXER:Current/InCh/PanMode	1 - InputChannelNum	Input Channel	1	-	s:	string	See comment		-	-	"PAN", "BALANCE"
Input Channel	Input Channel Patch	set	MIXER:Current/InCh/Patch	1 - InputChannelNum	Input Channel	1 - 2	Bank A/B	s:	string	See Table 8		-	-	
Input Channel	Input Channel Patch Select	set	MIXER:Current/InCh/PatchSelect	1 - InputChannelNum	Input Channel	1	-	i:	int	0	1	1	-	0: Patch A, 1: Patch B
Input Channel	Band PEQ Bypass	set	MIXER:Current/InCh/PEQ/Band/Bypass	1 - InputChannelNum	Input Channel	1 - 4	PEQ Band	i:	int	0	1	1	-	0: OFF, 1: ON
Input Channel	Band PEQ Frequency	set	MIXER:Current/InCh/PEQ/Band/Freq	1 - InputChannelNum	Input Channel	1 - 4	PEQ Band	i:	int	200	200000	10	Hz	20Hz - 20kHz
Input Channel	Band PEQ Gain	set	MIXER:Current/InCh/PEQ/Band/Gain	1 - InputChannelNum	Input Channel	1 - 4	PEQ Band	i:	int	-1800	1800	100	dB	-10dB - 10dB
Input Channel	Band PEQ Q	set	MIXER:Current/InCh/PEQ/Band/Q	1 - InputChannelNum	Input Channel	1 - 4	PEQ Band	i:	int	100	16000	1000	-	0.1 - 16.0
Input Channel	PEQ ON/OFF	set	MIXER:Current/InCh/PEQ/On	1 - InputChannelNum	Input Channel	1 - 2	Bank A/B	i:	int	0	1	1	-	0: OFF, 1: ON
Input Channel	PEQ Type	set	MIXER:Current/InCh/PEQ/Type	1 - InputChannelNum	Input Channel	1 - 2	Bank A/B	s:	string	See Table 7		-	-	

2. Parameter

Category	Parameter Description	<Action>	<OSC address>	<X>	X name	<Y>	Y name	<type tag>	type tag	<value>		value		comment
										min	max	scaling	unit	
Input Channel	Input Channel HA Gain MMS address Depends on whereinput is patched	set	MIXER:Current/InCh/Port/HA/Gain	1 - InputChannelNum	Input Channel	1	-	i:	int	-600	6600	100	dB	-6dB - +66dB
Input Channel	Input Channel Channel Role	set	MIXER:Current/InCh/Role	1 - InputChannelNum	Input Channel	1	-	s:	string	See Table 10		-	-	
Input Channel	Input Channel 5.1 surround C Pan ON/OFF	set	MIXER:Current/InCh/Surr/CO n	1 - InputChannelNum	Input Channel	1	-	i:	int	0	1	1	-	0: OFF, 1: ON
Input Channel	Input Channel 5.1 surround Divergence	set	MIXER:Current/InCh/Surr/Div	1 - InputChannelNum	Input Channel	1	-	i:	int	0	100	1		0 - 100
Input Channel	Input Channel 5.1 surround FR Pan	set	MIXER:Current/InCh/Surr/FRPan	1 - InputChannelNum	Input Channel	1	-	i:	int	-63	63	1		-63: L63 - 0:C - +63:R63
Input Channel	Input Channel 5.1 surround LFE Level	set	MIXER:Current/InCh/Surr/LFELevel	1 - InputChannelNum	Input Channel	1	-	i:	int	-32768	1000	100	dB	-Infinity - +10dB
Input Channel	Input Channel 5.1 surround LFE Pan ON/OFF	set	MIXER:Current/InCh/Surr/LFEOn	1 - InputChannelNum	Input Channel	1	-	i:	int	0	1	1	-	0: OFF, 1: ON
Input Channel	Input Channel 5.1 surround L Pan ON/OFF	set	MIXER:Current/InCh/Surr/LOn	1 - InputChannelNum	Input Channel	1	-	i:	int	0	1	1	-	0: OFF, 1: ON
Input Channel	Input Channel 5.1 surround LR Pan	set	MIXER:Current/InCh/Surr/LRPan	1 - InputChannelNum	Input Channel	1	-	i:	int	-63	63	1		-63: L63 - 0:C - +63:R63
Input Channel	Input Channel 5.1 surround Ls Pan ON/OFF	set	MIXER:Current/InCh/Surr/LsOn	1 - InputChannelNum	Input Channel	1	-	i:	int	0	1	1	-	0: OFF, 1: ON
Input Channel	Input Channel 5.1 surround R Pan ON/OFF	set	MIXER:Current/InCh/Surr/RO n	1 - InputChannelNum	Input Channel	1	-	i:	int	0	1	1	-	0: OFF, 1: ON
Input Channel	Input Channel 5.1 surround Rs Pan ON/OFF	set	MIXER:Current/InCh/Surr/RsOn	1 - InputChannelNum	Input Channel	1	-	i:	int	0	1	1	-	0: OFF, 1: ON
Input Channel	Input Channel Tomix Send Level	set	MIXER:Current/InCh/ToMix/Level	1 - InputChannelNum	Input Channel	1 - MixChannelNum	Mix Bus	i:	int	-32768	1000	100	dB	-Infinity - +10dB
Input Channel	Input Channel Tomix Send ON/OFF	set	MIXER:Current/InCh/ToMix/On	1 - InputChannelNum	Input Channel	1 - MixChannelNum	Mix Bus	i:	int	0	1	1	-	0: OFF, 1: ON
Input Channel	Input Channel Tomix Pan/Balance	set	MIXER:Current/InCh/ToMix/Pan	1 - InputChannelNum	Input Channel	1 - MixChannelNum	Mix Bus	i:	int	-63	63	1		-63: L63 - 0:C - +63:R63
Input Channel	Input Channel Tomix Pre/Post	set	MIXER:Current/InCh/ToMix/PrePost	1 - InputChannelNum	Input Channel	1 - MixChannelNum	Mix Bus	i:	int	0	1	1		0: Post, 1: Pre
Input Channel	Input Channel Tomatrix Send Level	set	MIXER:Current/InCh/ToMtrx/Level	1 - InputChannelNum	Input Channel	1 - MatrixChannelNum	Matrix Bus	i:	int	-32768	1000	100	dB	-Infinity - +10dB
Input Channel	Input Channel Tomatrix Send ON/OFF	set	MIXER:Current/InCh/ToMtrx/On	1 - InputChannelNum	Input Channel	1 - MatrixChannelNum	Matrix Bus	i:	int	0	1	1	-	0: OFF, 1: ON
Input Channel	Input Channel Tomatrix Pan/Balance	set	MIXER:Current/InCh/ToMtrx/Pan	1 - InputChannelNum	Input Channel	1 - MatrixChannelNum	Matrix Bus	i:	int	-63	63	1		-63: L63 - 0:C - +63:R63
Input Channel	Input Channel Tomatrix Pre/Post	set	MIXER:Current/InCh/ToMtrx/PrePost	1 - InputChannelNum	Input Channel	1 - MatrixChannelNum	Matrix Bus	i:	int	0	1	1		0: Post, 1: Pre
Input Channel	Input Channel Tostereo Pan	set	MIXER:Current/InCh/ToSt/Pan	1 - InputChannelNum	Input Channel	1	-	i:	int	-63	63	1		-63: L63 - 0:C - +63:R63
Input Channel	Input Channel Link Group Assign	set	MIXER:Current/InCh/Link/InCh/Assign	1 - InputChannelNum	Input Channel	1	-	i:	int	0	52	1		Link Group
Channel Link	Input Channel link group Link Parameter Channel ON	set	MIXER:Current/InCh/Link/LinkParams/ChOn	1 - 53	Link Group	1	-	i:	int	0	1	1	-	0: OFF, 1: ON
Channel Link	Input Channel link group Link ParameterDCA	set	MIXER:Current/InCh/Link/LinkParams/DCA	1 - 53	Link Group	1	-	i:	int	0	1	1	-	0: OFF, 1: ON
Channel Link	Input Channel link group Link Parameter Delay	set	MIXER:Current/InCh/Link/LinkParams/Delay	1 - 53	Link Group	1	-	i:	int	0	1	1	-	0: OFF, 1: ON

2. Parameter

Category	Parameter Description	<Action>	<OSC address>	<X>	X name	<Y>	Y name	<type tag>	type tag	<value>		value		comment
										min	max	scaling	unit	
Channel Link	Input Channel link group Link Parameter Digital Gain	set	MIXER:Current/InputChLink/LinkParams/DigitalGain	1 - 53	Link Group	1	-	i:	int	0	1	1	-	0: OFF, 1: ON
Channel Link	Input Channel link group Link Parameter Direct Out	set	MIXER:Current/InputChLink/LinkParams/DirectOut	1 - 53	Link Group	1	-	i:	int	0	1	1	-	0: OFF, 1: ON
Channel Link	Input Channel link group Link Parameter Dynamics1	set	MIXER:Current/InputChLink/LinkParams/Dyna1	1 - 53	Link Group	1	-	i:	int	0	1	1	-	0: OFF, 1: ON
Channel Link	Input Channel link group Link Parameter Dynamics2	set	MIXER:Current/InputChLink/LinkParams/Dyna2	1 - 53	Link Group	1	-	i:	int	0	1	1	-	0: OFF, 1: ON
Channel Link	Input Channel link group Link Parameter EQ	set	MIXER:Current/InputChLink/LinkParams/EQ	1 - 53	Link Group	1	-	i:	int	0	1	1	-	0: OFF, 1: ON
Channel Link	Input Channel link group Link Parameter Fader	set	MIXER:Current/InputChLink/LinkParams/Fader	1 - 53	Link Group	1	-	i:	int	0	1	1	-	0: OFF, 1: ON
Channel Link	Input Channel link group Link Parameter HA	set	MIXER:Current/InputChLink/LinkParams/HA	1 - 53	Link Group	1	-	i:	int	0	1	1	-	0: OFF, 1: ON
Channel Link	Input Channel link group Link Parameter HPF	set	MIXER:Current/InputChLink/LinkParams/HPF	1 - 53	Link Group	1	-	i:	int	0	1	1	-	0: OFF, 1: ON
Channel Link	Input Channel link group Link Parameter input Patch	set	MIXER:Current/InputChLink/LinkParams/InPatch	1 - 53	Link Group	1	-	i:	int	0	1	1	-	0: OFF, 1: ON
Channel Link	Input Channel link group Link Parameter Insert	set	MIXER:Current/InputChLink/LinkParams/Insert	1 - 53	Link Group	1 - 2	Insert	i:	int	0	1	1	-	0: OFF, 1: ON
Channel Link	Input Channel link group Link Parameter matrix Send	set	MIXER:Current/InputChLink/LinkParams/MatrixSend	1 - 53	Link Group	1	-	i:	int	0	1	1	-	0: OFF, 1: ON
Channel Link	Input Channel link group Link Parameter mix Send	set	MIXER:Current/InputChLink/LinkParams/MixSend	1 - 53	Link Group	1	-	i:	int	0	1	1	-	0: OFF, 1: ON
Channel Link	Input Channel link group Link Parameter mix Send On	set	MIXER:Current/InputChLink/LinkParams/MixSendOn	1 - 53	Link Group	1	-	i:	int	0	1	1	-	0: OFF, 1: ON
Channel Link	Input Channel link group Send Parameter matrix Send	set	MIXER:Current/InputChLink/LinkParams/MtrxSend	1 - 53	Link Group	1	-	i:	int	0	1	1	-	0: OFF, 1: ON
Channel Link	Input Channel link group Send Parameter matrix Send On	set	MIXER:Current/InputChLink/LinkParams/MtrxSendOn	1 - 53	Link Group	1	-	i:	int	0	1	1	-	0: OFF, 1: ON
Channel Link	Input Channel link group Link Parameter mute	set	MIXER:Current/InputChLink/LinkParams/Mute	1 - 53	Link Group	1	-	i:	int	0	1	1	-	0: OFF, 1: ON
Channel Link	Input Channel link group Link Parameter Silk	set	MIXER:Current/InputChLink/LinkParams/Silk	1 - 53	Link Group	1	-	i:	int	0	1	1	-	0: OFF, 1: ON
Channel Link	Input Channel link group Send Parameter ToSt	set	MIXER:Current/InputChLink/LinkParams/ToSt	1 - 53	Link Group	1	-	i:	int	0	1	1	-	0: OFF, 1: ON
Channel Link	Input Channel link group Send Parameter To mix	set	MIXER:Current/InputChLink/SendParams/ToMix	1 - 53	Link Group	1 - MixChannelNum	Mix Bus	i:	int	0	1	1	-	0: OFF, 1: ON
Channel Link	Input Channel link group Send Parameter To matrix	set	MIXER:Current/InputChLink/SendParams/ToMtrx	1 - 53	Link Group	1 - MatrixChannelNum	Matrix Bus	i:	int	0	1	1	-	0: OFF, 1: ON
Mix Bus	Mix Channel Bus Type	set	MIXER:Current/Mix/BusType	1 - MixChannelNum	Mix Bus	1	-	s:	string	See Table 15		-	-	
Mix Bus	Mix Channel DCA Group Assign	set	MIXER:Current/Mix/DCA/Assign	1 - MixChannelNum	Mix Bus	1 - 24	DCA Group	i:	int	0	1	1	-	0: OFF, 1: ON
Mix Bus	Mix Bus Delay On	set	MIXER:Current/Mix/Delay/On	1 - MixChannelNum	Mix Bus	1	-	i:	int	0	1	1	-	0: OFF, 1: ON
Mix Bus	Mix Bus Delay Time	set	MIXER:Current/Mix/Delay/Time	1 - MixChannelNum	Mix Bus	1	-	i:	int	0	1000000	1000	ms	0 - 1000ms
Mix Bus	Mix Channel Dynamics1 Threshold	set	MIXER:Current/Mix/Dyna1/Threshold	1 - MixChannelNum	Mix Bus	1	-	i:	int	-600	0	10	db	Min Val for GATE, DUCKING: -72db (720)

2. Parameter

Category	Parameter Description	<Action>	<OSC address>	<X>	X name	<Y>	Y name	<type tag>	type tag	<value>		value		comment
										min	max	scaling	unit	
Mix Bus	Mix Channel Dynamics1 Type	set	MIXER:Current/Mix/Dyna1/Type	1 - MixChannelNum	Mix Bus	1 - 2	Bank A/B	s:	string	See Table 6		-	-	
Mix Bus	Mix Channel Fader Level	set	MIXER:Current/Mix/Fader/Level	1 - MixChannelNum	Mix Bus	1	-	i:	int	-32768	1000	100	dB	-Infinity - +10dB
Mix Bus	Mix Channel ON/OFF	set	MIXER:Current/Mix/Fader/On	1 - MixChannelNum	Mix Bus	1	-	i:	int	0	1	1	-	0: OFF, 1: ON
Mix Bus	Mix Channel Channel Color	set	MIXER:Current/Mix/Label/Color	1 - MixChannelNum	Mix Bus	1	-	s:	string	See Table 2		-	-	
Mix Bus	Mix Channel Channel Icon	set	MIXER:Current/Mix/Label/Icon	1 - MixChannelNum	Mix Bus	1	-	s:	string	See Table 3		-	-	
Mix Bus	Mix Channel Channel Name	set	MIXER:Current/Mix/Label/Name	1 - MixChannelNum	Mix Bus	1	-	s:	string	See comment		-	-	Max 8 characters
Mix Bus	Mix Channel MixMinus Owner	set	MIXER:Current/Mix/MixMinus/Owner/InputChannel	1 - MixChannelNum	Mix Bus	1 - InputChannelNum	Input Channel	i:	int	0	1	1	-	0: OFF, 1: ON
Mix Bus	Mix Channel Balance	set	MIXER:Current/Mix/Out/Balance	1 - MixChannelNum	Mix Bus	1	-	i:	int	-63	63	1	-	-63: L63 - 0:C - +63:R63
Mix Bus	Mix Channel Pan Link	set	MIXER:Current/Mix/PanLink	1 - MixChannelNum	Mix Bus	1	-	i:	int	0	1	1	-	0: OFF, 1: ON
Mix Bus	Mix Channel Pan Mode	set	MIXER:Current/Mix/PanMode	1 - MixChannelNum	Mix Bus	1	-	s:	string	See comment		-	-	"PAN", "BALANCE"
Mix Bus	Mix Channel Channel Role	set	MIXER:Current/Mix/Role	1 - MixChannelNum	Mix Bus	1	-	s:	string	See Table 11		-	-	
Mix Bus	Mix Channel Tomatrix Send Level	set	MIXER:Current/Mix/ToMtrx/Level	1 - MixChannelNum	Mix Bus	1 - MatrixChannelNum	Matrix Bus	i:	int	-32768	1000	100	dB	-Infinity - +10dB
Mix Bus	Mix Channel Tomatrix Send ON/OFF	set	MIXER:Current/Mix/ToMtrx/On	1 - MixChannelNum	Mix Bus	1 - MatrixChannelNum	Matrix Bus	i:	int	0	1	1	-	0: OFF, 1: ON
Mix Bus	Mix Channel Tomatrix Pan/Balance	set	MIXER:Current/Mix/ToMtrx/Pan	1 - MixChannelNum	Mix Bus	1 - MatrixChannelNum	Matrix Bus	i:	int	-63	63	1	-	-63: L63 - 0:C - +63:R63
Mix Bus	Mix Channel Tomatrix Pre/Post	set	MIXER:Current/Mix/ToMtrx/PrePost	1 - MixChannelNum	Mix Bus	1 - MatrixChannelNum	Matrix Bus	i:	int	0	1	1	-	0: Post, 1: Pre
Mix Bus	Mix Channel Tostereo Pan	set	MIXER:Current/Mix/ToSt/Pan	1 - MixChannelNum	Mix Bus	1	-	i:	int	-63	63	1	-	-63: L63 - 0:C - +63:R63
Monitor	Monitor Cue Interruption ON/OFF	set	MIXER:Current/Monitor/CueInterruption	1 - 2	Monitor A/B	1	-	i:	int	0	1	1	-	0: OFF, 1: ON
Monitor	Monitor Dimmer ON/OFF	set	MIXER:Current/Monitor/DimmerOn	1 - 2	Monitor A/B	1	-	i:	int	0	1	1	-	0: OFF, 1: ON
Surround Monitor	5.1 Surround Monitor Downmix C To L ON/OFF	set	MIXER:Current/Monitor/DownMix/CToLOn	1 - 2	Surround A/B	1	-	i:	int	0	1	1	-	0: ON 1: MUTE
Surround Monitor	5.1 Surround Monitor Downmix C To LR Level	set	MIXER:Current/Monitor/DownMix/CToLRLevel	1 - 2	Surround A/B	1	-	i:	int	-32768	0	100	dB	-Infinity - 0dB
Surround Monitor	5.1 Surround Monitor Downmix C To R ON/OFF	set	MIXER:Current/Monitor/DownMix/CToROn	1 - 2	Surround A/B	1	-	i:	int	0	1	1	-	0: OFF, 1: ON
Surround Monitor	5.1 Surround Monitor Downmix LFE To L ON/OFF	set	MIXER:Current/Monitor/DownMix/LFEToLOn	1 - 2	Surround A/B	1	-	i:	int	0	1	1	-	0: OFF, 1: ON
Surround Monitor	5.1 Surround Monitor Downmix LFE To LR Level	set	MIXER:Current/Monitor/DownMix/LFEToLRLevel	1 - 2	Surround A/B	1	-	i:	int	-32768	0	100	dB	-Infinity - 0dB
Surround Monitor	5.1 Surround Monitor Downmix LFE To R ON/OFF	set	MIXER:Current/Monitor/DownMix/LFEToROn	1 - 2	Surround A/B	1	-	i:	int	0	1	1	-	0: OFF, 1: ON
Surround Monitor	5.1 Surround Monitor Downmix Ls To L ON/OFF	set	MIXER:Current/Monitor/DownMix/LsToLOn	1 - 2	Surround A/B	1	-	i:	int	0	1	1	-	0: OFF, 1: ON
Surround Monitor	5.1 Surround Monitor Downmix Ls To LR Level	set	MIXER:Current/Monitor/DownMix/LsToLRLevel	1 - 2	Surround A/B	1	-	i:	int	-32768	0	100	dB	-Infinity - 0dB
Surround Monitor	5.1 Surround Monitor Downmix Ls To R ON/OFF	set	MIXER:Current/Monitor/DownMix/LsToROn	1 - 2	Surround A/B	1	-	i:	int	0	1	1	-	0: OFF, 1: ON
Surround Monitor	5.1 Surround Monitor Downmix L To L ON/OFF	set	MIXER:Current/Monitor/DownMix/LToLOn	1 - 2	Surround A/B	1	-	i:	int	0	1	1	-	0: OFF, 1: ON

2. Parameter

Category	Parameter Description	<Action>	<OSC address>	<X>	X name	<Y>	Y name	<type tag>	type tag	<value>		value		comment
										min	max	scaling	unit	
Surround Monitor	5.1 Surround Monitor Downmix L To LR Level	set	MIXER:Current/Monitor/DownMix/LToLRLevel	1 - 2	Surround A/B	1	-	i:	int	-32768	0	100	dB	-Infinity - 0dB
Surround Monitor	5.1 Surround Monitor Downmix L To R ON/OFF	set	MIXER:Current/Monitor/DownMix/LToROn	1 - 2	Surround A/B	1	-	i:	int	0	1	1	-	0: OFF, 1: ON
Surround Monitor	5.1 Surround Monitor Downmix Master Level	set	MIXER:Current/Monitor/DownMix/MasterLevel	1 - 2	Surround A/B	1	-	i:	int	-32768	0	100	dB	-Infinity - 0dB
Surround Monitor	5.1 Surround Monitor Downmix Rs To L ON/OFF	set	MIXER:Current/Monitor/DownMix/RsToLOn	1 - 2	Surround A/B	1	-	i:	int	0	1	1	-	0: OFF, 1: ON
Surround Monitor	5.1 Surround Monitor Downmix Rs To LR Level	set	MIXER:Current/Monitor/DownMix/RsToLRLevel	1 - 2	Surround A/B	1	-	i:	int	-32768	0	100	dB	-Infinity - 0dB
Surround Monitor	5.1 Surround Monitor Downmix Rs To R ON/OFF	set	MIXER:Current/Monitor/DownMix/RsToROn	1 - 2	Surround A/B	1	-	i:	int	0	1	1	-	0: OFF, 1: ON
Surround Monitor	5.1 Surround Monitor Downmix R To L ON/OFF	set	MIXER:Current/Monitor/DownMix/RTOLOn	1 - 2	Surround A/B	1	-	i:	int	0	1	1	-	0: OFF, 1: ON
Surround Monitor	5.1 Surround Monitor Downmix R To LR Level	set	MIXER:Current/Monitor/DownMix/RTOLRLevel	1 - 2	Surround A/B	1	-	i:	int	-32768	0	100	dB	-Infinity - 0dB
Surround Monitor	5.1 Surround Monitor Downmix R To R ON/OFF	set	MIXER:Current/Monitor/DownMix/RTOROn	1 - 2	Surround A/B	1	-	i:	int	0	1	1	-	0: OFF, 1: ON
Surround Monitor	5.1 Surround Monitor Downmix Type	set	MIXER:Current/Monitor/DownMix/Type	1	-	1	-	s:	string	See comment		-	-	"Stereo", "Mono"
Monitor	Monitor Fader Level	set	MIXER:Current/Monitor/Fader/Level	1 - 2	Monitor A/B	1	-	i:	int	-32768	1000	100	dB	-Infinity - +10dB
Monitor	Monitor ON/OFF	set	MIXER:Current/Monitor/On	1 - 2	Monitor A/B	1	-	i:	int	0	1	1	-	0: OFF, 1: ON
Monitor	Monitor Phones Level Link ON/OFF	set	MIXER:Current/Monitor/PhonesLevelLink	1 - 2	Monitor A/B	1	-	i:	int	0	1	1	-	0: OFF, 1: ON
Monitor	Monitor Source Select	set	MIXER:Current/Monitor/St/SourceSelect	1 - 2	Monitor A/B	1	-	i:	int	0	7	1		DEFINE GROUP 1- 8
Surround Monitor	5.1 Surround Monitor Monitor C ON/OFF	set	MIXER:Current/Monitor/Surr/COOn	1	-	1	-	i:	int	0	1	1	-	0: ON 1: MUTE
Surround Monitor	5.1 Surround Monitor Monitor LFE ON/OFF	set	MIXER:Current/Monitor/Surr/LFEOn	1	-	1	-	i:	int	0	1	1	-	0: ON 1: MUTE
Surround Monitor	5.1 Surround Monitor Monitor L ON/OFF	set	MIXER:Current/Monitor/Surr/LOn	1	-	1	-	i:	int	0	1	1	-	0: ON 1: MUTE
Surround Monitor	5.1 Surround Monitor Monitor Ls ON/OFF	set	MIXER:Current/Monitor/Surr/LsOn	1	-	1	-	i:	int	0	1	1	-	0: ON 1: MUTE
Surround Monitor	5.1 Surround Monitor Monitor R ON/OFF	set	MIXER:Current/Monitor/Surr/ROn	1	-	1	-	i:	int	0	1	1	-	0: ON 1: MUTE
Surround Monitor	5.1 Surround Monitor Monitor Rs ON/OFF	set	MIXER:Current/Monitor/Surr/RsOn	1	-	1	-	i:	int	0	1	1	-	0: ON 1: MUTE
Surround Monitor	5.1 Surround Monitor Solo Mode ON/OFF	set	MIXER:Current/Monitor/Surr/SoloMode	1	-	1	-	i:	int	0	1	1	-	0: OFF, 1: ON
Surround Monitor	5.1 Surround Monitor Source Select	set	MIXER:Current/Monitor/Surr/SourceSelect	1	-	1	-	s:	string	See Table 16		-	-	
Matrix Bus	Matrix Channel DCA Group Assign	set	MIXER:Current/Mtrx/DCA/Assign	1 - MatrixChannelNum	Matrix Bus	1 - 24	DCA Group	i:	int	0	1	1	-	0: OFF, 1: ON
Matrix Bus	Matrix Bus Delay On	set	MIXER:Current/Mtrx/Delay/On	1 - MatrixChannelNum	Matrix Bus	1	-	i:	int	0	1	1	-	0: OFF, 1: ON
Matrix Bus	Matrix Bus Delay Time	set	MIXER:Current/Mtrx/Delay/Time	1 - MatrixChannelNum	Matrix Bus	1	-	i:	int	0	1000000	1000	ms	0 - 1000ms
Matrix Bus	Matrix Channel Dynamics1 Threshold	set	MIXER:Current/Mtrx/Dyna1/Threshold	1 - MatrixChannelNum	Matrix Bus	1	-	i:	int	-600	0	10	db	Min Val for GATE, DUCKING: -72db (720)
Matrix Bus	Matrix Channel Dynamics1 Type	set	MIXER:Current/Mtrx/Dyna1/Type	1 - MatrixChannelNum	Matrix Bus	1	-	s:	string	See Table 6		-	-	
Matrix Bus	Matrix Channel Fader Level	set	MIXER:Current/Mtrx/Fader/Level	1 - MatrixChannelNum	Matrix Bus	1	-	i:	int	-32768	1000	100	dB	-Infinity - +10dB
Matrix Bus	Matrix Channel ON/OFF	set	MIXER:Current/Mtrx/Fader/On	1 - MatrixChannelNum	Matrix Bus	1	-	i:	int	0	1	1	-	0: OFF, 1: ON

2. Parameter

Category	Parameter Description	<Action>	<OSC address>	<X>	X name	<Y>	Y name	<type tag>	type tag	<value>		value		comment
										min	max	scaling	unit	
Matrix Bus	Matrix Channel Channel Color	set	MIXER:Current/Mtrx/Label/Color	1 - MatrixChannelNum	Matrix Bus	1	-	s:	string	See Table 2		-	-	
Matrix Bus	Matrix Channel Channel Icon	set	MIXER:Current/Mtrx/Label/Icon	1 - MatrixChannelNum	Matrix Bus	1	-	s:	string	See Table 3		-	-	
Matrix Bus	Matrix Channel Channel Name	set	MIXER:Current/Mtrx/Label/Name	1 - MatrixChannelNum	Matrix Bus	1	-	s:	string	See comment		-	-	Max 8 characters
Matrix Bus	Matrix Channel Balance	set	MIXER:Current/Mtrx/Out/Balance	1 - MatrixChannelNum	Matrix Bus	1	-	i:	int	-63	63	1		-63: L63 - 0:C - +63:R63
Matrix Bus	Matrix Channel Pan Link	set	MIXER:Current/Mtrx/PanLink	1 - MatrixChannelNum	Matrix Bus	1	-	i:	int	0	1	1	-	0: OFF, 1: ON
Matrix Bus	Matrix Channel Channel Role	set	MIXER:Current/Mtrx/Role	1 - MatrixChannelNum	Matrix Bus	1	-	s:	string	See Table 12		-	-	
Mute	Mute Group master Group Name	set	MIXER:Current/MuteMaster/Label/Name	1 - 12	Mute Group	1	-	s:	string	See comment		-	-	Max 8 characters
Mute	Mute Group Master On	set	MIXER:Current/MuteMaster/On	1 - 12	Mute Group	1	-	i:	int	0	1	1	-	0: OFF, 1: ON
Patch	Omni Out Port Patch	set	MIXER:Current/OmniOutPort/Patch	1 - 2	Console ID	1 - 8	OmniOut Channel	s:	string	See Table 9		-	-	
Channel Link	Output Channel link group Link Parameter Channel ON	set	MIXER:Current/OutputChLink/LinkParams/ChOn	1 - 53	Link Group	1	-	i:	int	0	1	1	-	0: OFF, 1: ON
Channel Link	Output Channel link group Link Parameter DCA	set	MIXER:Current/OutputChLink/LinkParams/DCA	1 - 53	Link Group	1	-	i:	int	0	1	1	-	0: OFF, 1: ON
Channel Link	Output Channel link group Link Parameter Delay	set	MIXER:Current/OutputChLink/LinkParams/Delay	1 - 53	Link Group	1	-	i:	int	0	1	1	-	0: OFF, 1: ON
Channel Link	Output Channel link group Link Parameter Dynamics1	set	MIXER:Current/OutputChLink/LinkParams/Dyna1	1 - 53	Link Group	1	-	i:	int	0	1	1	-	0: OFF, 1: ON
Channel Link	Output Channel link group Link Parameter EQ	set	MIXER:Current/OutputChLink/LinkParams/EQ	1 - 53	Link Group	1	-	i:	int	0	1	1	-	0: OFF, 1: ON
Channel Link	Output Channel link group Link Parameter Fader	set	MIXER:Current/OutputChLink/LinkParams/Fader	1 - 53	Link Group	1	-	i:	int	0	1	1	-	0: OFF, 1: ON
Channel Link	Output Channel link group Link Parameter Filters	set	MIXER:Current/OutputChLink/LinkParams/Filters	1 - 53	Link Group	1	-	i:	int	0	1	1	-	0: OFF, 1: ON
Channel Link	Output Channel link group Link Parameter Insert	set	MIXER:Current/OutputChLink/LinkParams/Insert	1 - 53	Link Group	1 - 2	Insert	i:	int	0	1	1	-	0: OFF, 1: ON
Channel Link	Output Channel link group Link Parametermatrix Send	set	MIXER:Current/OutputChLink/LinkParams/MatrixSend	1 - 53	Link Group	1	-	i:	int	0	1	1	-	0: OFF, 1: ON
Channel Link	Output Channel link group Send ParametermatrixSend	set	MIXER:Current/OutputChLink/LinkParams/MtrxSend	1 - 53	Link Group	1	-	i:	int	0	1	1	-	0: OFF, 1: ON
Channel Link	Output Channel link group Send ParametermatrixSendOn	set	MIXER:Current/OutputChLink/LinkParams/MtrxSendOn	1 - 53	Link Group	1	-	i:	int	0	1	1	-	0: OFF, 1: ON
Channel Link	Output Channel link group Link Parametermute	set	MIXER:Current/OutputChLink/LinkParams/Mute	1 - 53	Link Group	1	-	i:	int	0	1	1	-	0: OFF, 1: ON
Channel Link	Output Channel link group Send Parameter ToSt	set	MIXER:Current/OutputChLink/LinkParams/ToSt	1 - 53	Link Group	1	-	i:	int	0	1	1	-	0: OFF, 1: ON
Mix Bus	Mix Channel Link Group Assign	set	MIXER:Current/OutputChLink/Mix/Assign	1 - MixChannelNum	Mix Bus	1	-	i:	int	0	52	1		See Table 14 Link Group
Channel Link	Output Channel link group Send Parameter Tomatrix	set	MIXER:Current/OutputChLink/SendParams/ToMtrx	1 - 53	Link Group	1 - MatrixChannelNum	Matrix Bus	i:	int	0	1	1	-	0: OFF, 1: ON
Input Channel	Recorder Patch	set	MIXER:Current/Rec/Patch	1 - InputChannelNum	Input Channel	1	-	s:	string	See comment		-	-	"NONE", "HY4 N"
Stereo Channel	Stereo Channel DCA Group Assign	set	MIXER:Current/St/DCA/Assign	1 - StereoChannelNum	Stereo channel	1 - 24	DCA Group	i:	int	0	1	1	-	0: OFF, 1: ON

2. Parameter

Category	Parameter Description	<Action>	<OSC address>	<X>	X name	<Y>	Y name	<type tag>	type tag	<value>		value		comment
										min	max	scaling	unit	
Stereo Channel	Stereo Delay On	set	MIXER:Current/St/Delay/On	1 - StereoChannelNum	Stereo channel	1	-	i:	int	0	1	1	-	0: OFF, 1: ON
Stereo Channel	Stereo Delay Time	set	MIXER:Current/St/Delay/Time	1 - StereoChannelNum	Stereo channel	1	-	i:	int	0	1000000	1000	ms	0 - 1000ms
Stereo Channel	Stereo Channel Dynamics1 Threshold	set	MIXER:Current/St/Dyna1/Threshold	1 - StereoChannelNum	Stereo channel	1	-	i:	int	-600	0	10	db	Min Val for GATE, DUCKING: -72db (720)
Stereo Channel	Stereo Channel Dynamics1 Type	set	MIXER:Current/St/Dyna1/Type	1 - StereoChannelNum	Stereo channel	1	-	s:	string	See Table 6		-	-	
Stereo Channel	Stereo Channel Fader Level	set	MIXER:Current/St/Fader/Level	1 - StereoChannelNum	Stereo channel	1	-	i:	int	-32768	1000	100	dB	-Infinity - +10dB
Stereo Channel	Stereo Channel ON/OFF	set	MIXER:Current/St/Fader/On	1 - StereoChannelNum	Stereo channel	1	-	i:	int	0	1	1	-	0: OFF, 1: ON
Stereo Channel	Stereo Channel Channel Color	set	MIXER:Current/St/Label/Color	1 - StereoChannelNum	Stereo channel	1	-	s:	string	See Table 2		-	-	
Stereo Channel	Stereo Channel Channel Icon	set	MIXER:Current/St/Label/Icon	1 - StereoChannelNum	Stereo channel	1	-	s:	string	See Table 3		-	-	
Stereo Channel	Stereo Channel Channel Name	set	MIXER:Current/St/Label/Name	1 - StereoChannelNum	Stereo channel	1	-	s:	string	See comment		-	-	Max 8 characters
Stereo Channel	Stereo Channel Balance	set	MIXER:Current/St/Out/Balance	1 - StereoChannelNum	Stereo channel	1	-	i:	int	-63	63	1		-63: L63 - 0:C - +63:R63
Stereo Channel	Stereo Channel Channel Role	set	MIXER:Current/St/Role	1 - StereoChannelNum	Stereo channel	1	-	s:	string	See Table 13		-	-	
Stereo Channel	Stereo Channel Tomatrix Send Level	set	MIXER:Current/St/ToMtrx/Level	1 - StereoChannelNum	Stereo channel	1 - MatrixChannelNum	Matrix Bus	i:	int	-32768	1000	100	dB	-Infinity - +10dB
Stereo Channel	Stereo Channel Tomatrix Send ON/OFF	set	MIXER:Current/St/ToMtrx/On	1 - StereoChannelNum	Stereo channel	1 - MatrixChannelNum	Matrix Bus	i:	int	0	1	1	-	0: OFF, 1: ON
Stereo Channel	Stereo Channel Tomatrix Pan/Balance	set	MIXER:Current/St/ToMtrx/Pan	1 - StereoChannelNum	Stereo channel	1 - MatrixChannelNum	Matrix Bus	i:	int	-63	63	1		-63: L63 - 0:C - +63:R63
Stereo Channel	Stereo Channel Tomatrix Pre/Post	set	MIXER:Current/St/ToMtrx/PrePost	1 - StereoChannelNum	Stereo channel	1 - MatrixChannelNum	Matrix Bus	i:	int	0	1	1		0: Post, 1: Pre
Other	Surround Mode	set	MIXER:Current/SurrMode	1	-	1	-	i:	int	0	1	1		0: Stereo Mode, 1: Surround Mode
Other	Monitor Mix PIN	set	MIXER:Setup/MonitorMix/Password	1	-	1	-	s:	string	See comment		-	-	Max 24 characters
Oscillator	Oscillator Level	set	MIXER:Setup/Oscillator/Level	1 - 2	Oscillator A,B	1	-	i:	int	-9600	0	100	dB	-96dB - 0dB
Oscillator	Oscillator ON/OFF	set	MIXER:Setup/Oscillator/On	1	-	1	-	i:	int	0	1	1	-	0: OFF, 1: ON
Oscillator	Oscillator Type	set	MIXER:Setup/Oscillator/Type	1	-	1	-	s:	string	See Table 17		-	-	

Snapshot

Format: /yosc:req/<Action> <type tag> <OSC address> <value>

Category	Parameter Description	<Action>	<OSC address>	<X>	X name	<Y>	Y name	<type tag>	type tag	<value>		value		comment
										min	max	scaling	unit	
Scene	Recall Scene	ssrecallt_ex	MIXER:Lib/Scene	-	-	-	-	s:	string	"1.00"	"999.99"			

2.2. Parameter Value Detail

Table 1 Active Cue
"NONE"
"OTHERS"
"INPUT"
"DCA"
"OUTPUT"

Table 2 Channel Icon Color
"Blue"
"Orange"
"Yellow"
"Purple"
"SkyBlue"
"Pink"
"Red"
"Green"
"LtGreen"
"White"
"OFF"

Table 3 Channel Icon
"Kick"
"Snare"
"Hi-Hat"
"TomTom"
"FloorTom"
"Cymbal"
"DrumKit"
"Perc."
"E. Bass"
"A. Guitar"
"E. Guitar"
"BassAmp"
"GuitarAmp"
"A. Bass"
"Strings"
"DirectBox"
"Trumpet"
"Trombone"
"Saxophone"
"Flute"
"Piano"
"Organ"
"Keyboard"
"Mallets"
"Male"
"Female"
"Choir"
"DynamicMic"

Table 3 Channel Icon
"CondenserMic"
"InstMic"
"WirelessMic"
"Headset"
"SpeechMic"
"Foh"
"Speaker"
"Subwoofer"
"Wedge"
"Video"
"In-Ear"
"Monitor"
"Effector"
"Media1"
"Media2"
"Media3"
"Mixer"
"PC"
"Processor"
"Audience"
"ArrowLeft"
"ArrowRight"
"Exclamation"
"Smile"
"Money"
"Star1"
"Star2"
"Blank"

Table 4 AES Output Patch	Comment
"NONE"	
"CUE A [X]"	
"CUE B [X]"	
"MONI A [Y]"	
"MONI B [Y]"	
"MONI AB [Y]"	
"S CUE [Z]"	[N]=Channel Index starting from 1
"S MON [Z]"	[X]=L,R
"S METER [Z]"	[Y]=L,R,C
"TB [N]"	[Z]=LFE,Ls,Rs,L,R,C
"ST A [X]"	
"ST B [X]"	
"MIX[N]"	
"MTRX[N]"	
"DIR OUT[N]"	

Table 5 Dynamics Knee Type
"HARD"
"SOFT-1"
"SOFT-2"
"SOFT-3"
"SOFT-4"
"SOFT-5"

Table 6 Dynamics Type
"PM Comp"
"Classic Comp"
"GATE"
"DE-ESSER"
"EXPANDER"
"DUCKING"

Table 7 EQ Type
"PRECISE"
"AGGRESSIVE"
"SMOOTH"
"LEGACY"

Table 8 Input Channel Patch	Comment
"CS1 MY1 [N]"	
"CS2 MY1 [N]"	
"DSP MY2 [N]"	
"CS1 MY2 [N]"	
"CS2 MY2 [N]"	
"CUE A [X]"	
"CUE B [X]"	
"MONI A [Y]"	
"MONI B [Y]"	
"MONI AB [Y]"	
"S CUE [Z]"	[N]=Channel Index starting from 1
"S MON [Z]"	[X]=L,R
"S METER [Z]"	[Y]=L,R,C
"TB [N]"	[Z]=LFE,Ls,Rs,L,R,C
"CS1 OMNI[N]"	
"CS2 OMNI[N]"	
"CS1 AES[N]"	
"CS2 AES[N]"	
"CS1 PB [X]"	
"CS2 PB [X]"	
"ST A [X]"	
"ST B [X]"	
"MIX[N]"	
"MTRX[N]"	

Table 9 OMNI Out Patch	Comment
"NONE"	
"HY1 [N]"	
"HY2 [N]"	
"HY3 [N]"	
"HY4 [N]"	
"DSP MY1 [N]"	
"NONE"	
"CUE A [X]"	
"CUE B [X]"	
"MONI A [Y]"	[N]=Channel Index starting from 1
"MONI B [Y]"	[X]=L,R
"MONI AB [Y]"	[Y]=L,R,C
"S CUE [Z]"	[Z]=LFE,Ls,Rs,L,R,C
"S MON [Z]"	
"S METER [Z]"	
"TB [N]"	
"ST A [X]"	
"ST B [X]"	
"MIX[N]"	
"MTRX[N]"	
"DIR OUT[N]"	

Table 10 Input Channel Role	Table 11 Mix Channel Role	Table 12 Matrix Channel Role	Table 13 Stereo Channel Role
"Mono"	"Mono"	"Mono"	"Mono"
"StereoL"	"StereoL"	"StereoL"	"StereoL"
"StereoR"	"StereoR"	"StereoR"	"StereoR"
"SurrL"	"SurrL"	"SurrL"	
"SurrR"	"SurrR"	"SurrR"	
"SurrC"	"SurrC"	"SurrC"	
"SurrLFE"	"SurrLFE"	"SurrLFE"	
"SurrLs"	"SurrLs"	"SurrLs"	
"SurrRs"	"SurrRs"	"SurrRs"	

Table 14 Link Group
0: NONE
1: A
...
26: Z
27: a
...
52: z

Table 15 Bus Type
"VARI"
"FIXED"
"MIXMINUS"

Table 16 Surround Monitor Source
"Surr A"
"Surr B"
"DownMix A"
"DownMix B"
"Ext Surr5.1 1"
"Ext Surr5.1 2"
"Ext Surr5.1 3"
"Ext Surr5.1 4"
"Ext St 1" ~ "Ext St 4"
"Define 1" ~ "Define 8"

Table 17 Oscillator Type
"SINE 1CH"
"SINE 2CH"
"PINK NOISE"
"BURST NOISE"

Table 18 Dynamics Ratio	
Dynamics Type	Ratio
LEGACY COMP, EXPANDER	1:1 ... 20:1; ∞:1
COMP260	1:1 ... 500:1; ∞:1

Model				
Max Channel Numbers	DSP-R10	CSD-R7	DSP-RX	DSP-RX-EX
InputChannelNum	144	144	120	288
MixChannelNum	72	60	48	72
MatrixChannelNum	36	36	24	36
StereoChannelNum	4	4	4	4

