

# YAMAHA YHT-394 Home Theater Package Connection Guide

English

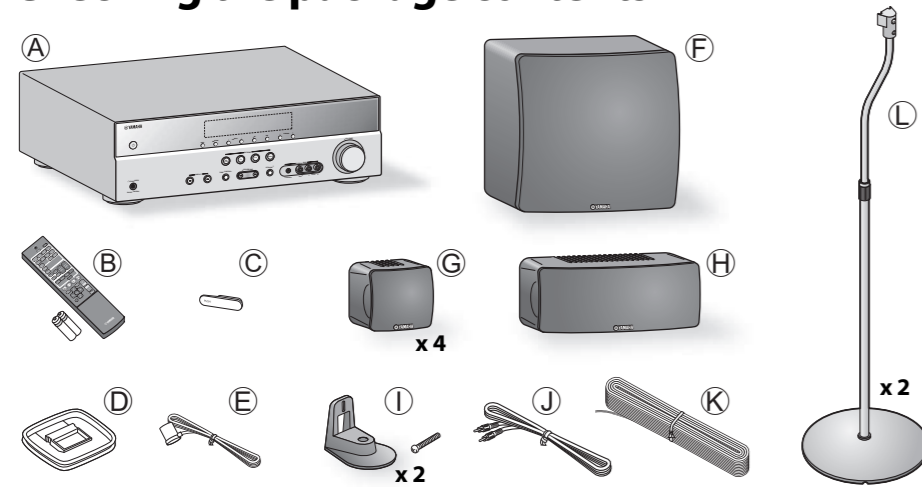
YAMAHA CORPORATION  
© 2010 Yamaha Corporation  
Printed in China WV59530

The Yamaha YHT-394 Home Theater Package includes everything you need to add great sound to your home theater. By following the steps in this Connection Guide, you'll have your home theater set up in no time and be enjoying music and movies like never before. Part A explains how to connect the speakers and antennas. Part B explains how to connect various AV components. See the relevant owner's manuals for full instructions and precautions.

**Caution:** Disconnect all components from AC outlets before proceeding.

## Part A: Speakers and Antennas

### 1 Checking the package contents

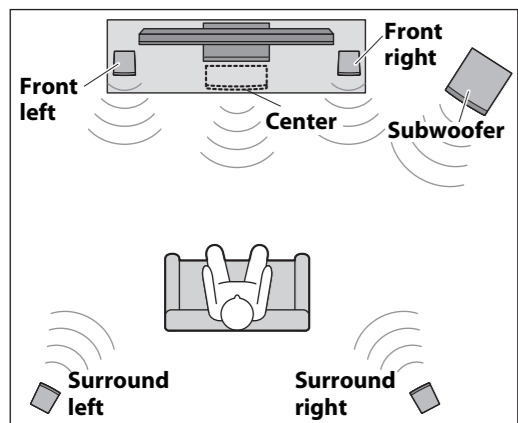


Unpack and check the package contents. The following items are necessary to complete this Connection Guide.

- |   |  |
|---|--|
| Ⓐ AV Receiver (HTR-3063)                            | Ⓒ Front/surround speaker (NS-B285)               |
| Ⓑ Remote control and two batteries (AAA, R03, UM-4) | Ⓓ Center speaker (NS-C385)                       |
| Ⓒ Front input jack cover                            | Ⓛ Speaker stand and screw for NS-B285            |
| Ⓓ AM antenna  | Ⓜ Subwoofer cable                                |
| Ⓔ FM antenna  | Ⓨ Speaker cable                                  |
| Ⓕ Subwoofer (NS-SW280)                              | Ⓦ Speaker stand (SPS-90) (Assembled stand shown) |

In the NS-P285 (Speaker Package) Owner's Manual included with the YHT-394, it states that four mini speaker stands are included. However, two of these have been replaced with SPS-90 speaker stands. Refer to the relevant owner's manuals for the correct product operating instructions.

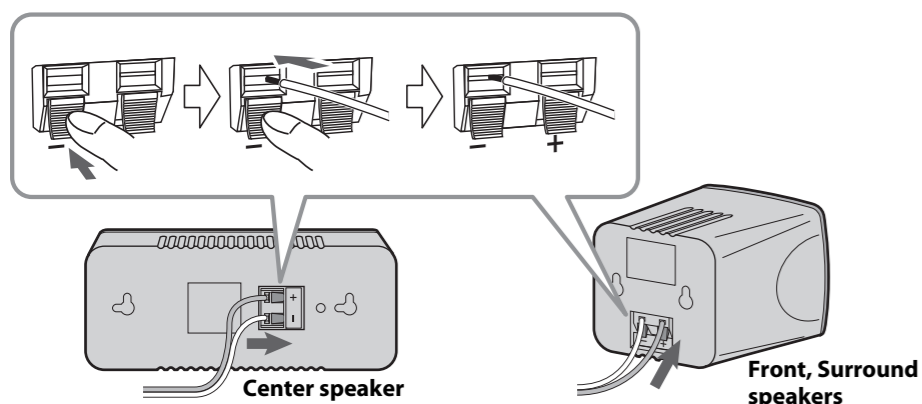
### 2 Positioning the speakers



The four front and surround speakers are identical, so it doesn't matter which one you use in each position.

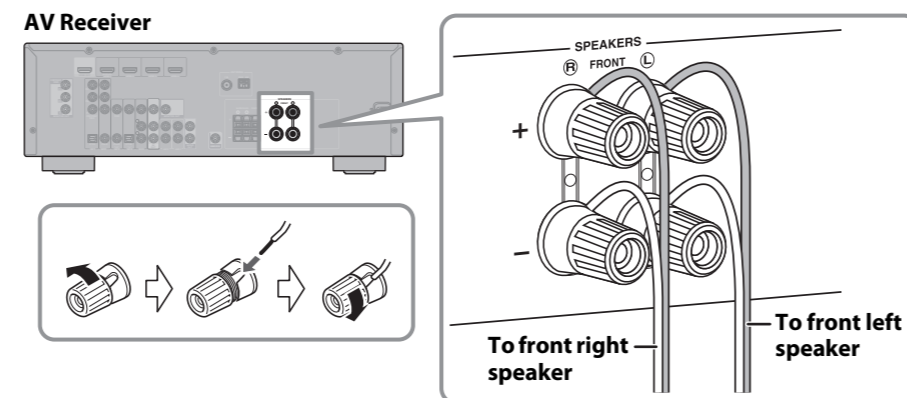
Position the speakers as shown. See the owner's manuals for more information on installing the speakers.

### 3 Preparing the cables and speakers



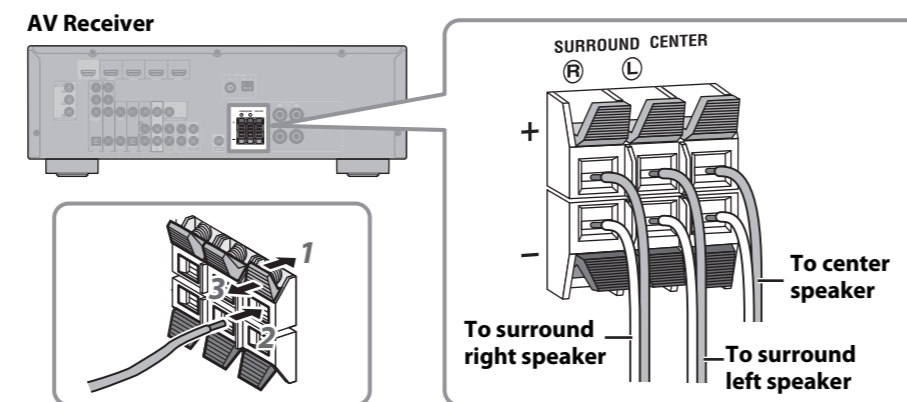
- Cut the included speaker cable to suitable lengths for the front, center, and surround speakers. You need to make five cables altogether. Remove about 10 mm (3/8 in.) of insulation from the end of each cable, and then twist the bare strands tightly.
- Connect the speaker cables to the front speakers (Ⓒ), surround speakers (Ⓒ), and center speaker (Ⓓ). Make sure you connect the speakers with the correct polarity—positive (+) terminals to positive (+) terminals, and negative (-) terminals to negative (-) terminals.

### 4 Connecting the front speakers



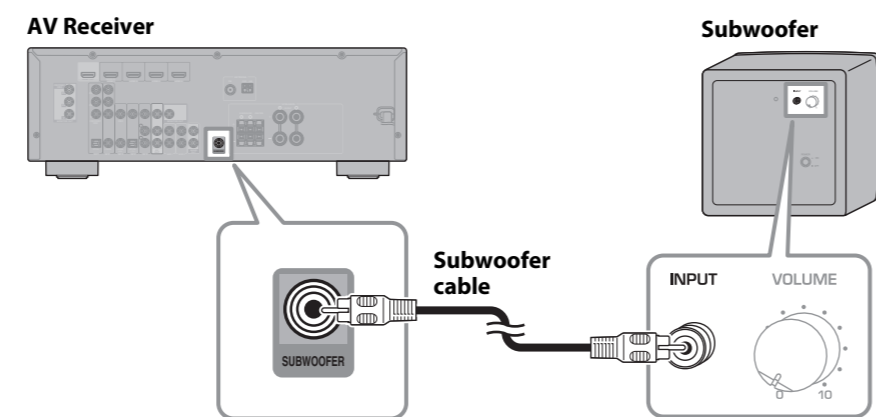
Connect the front speaker (Ⓒ) cables to the AV Receiver. Make sure you connect the speakers with the correct polarity—positive (+) terminals to positive (+) terminals, and negative (-) terminals to negative (-) terminals.

### 5 Connecting the center and surround speakers



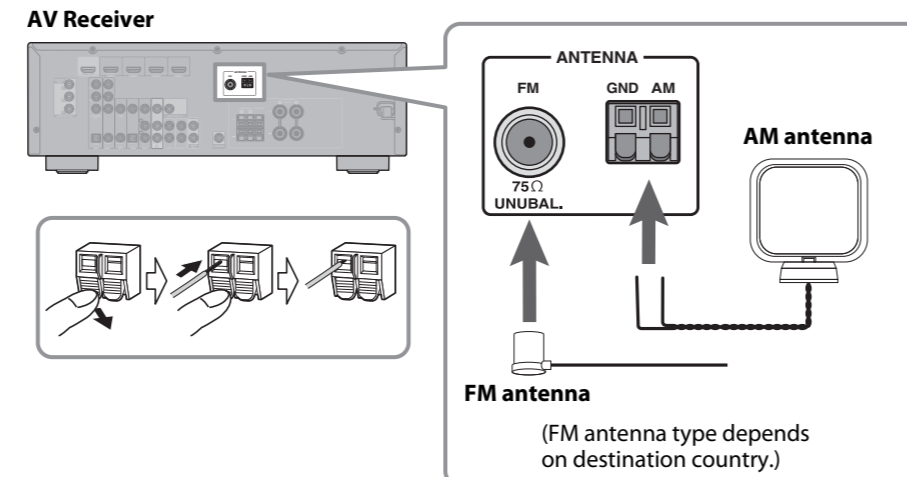
Connect the center speaker (Ⓓ) and surround speaker (Ⓒ) cables to the AV Receiver. Make sure you connect the speakers with the correct polarity—positive (+) terminals to positive (+) terminals, and negative (-) terminals to negative (-) terminals.

### 6 Connecting the subwoofer



Use the included subwoofer cable (Ⓜ) to connect the Subwoofer's INPUT jack to the AV Receiver's SUBWOOFER jack.

### 7 Connecting the antennas



Connect the AM loop antenna (Ⓓ) and indoor FM antenna (Ⓔ) to the AV Receiver, as shown. See the owner's manuals for more information about connecting antennas.

## Part B: AV Components

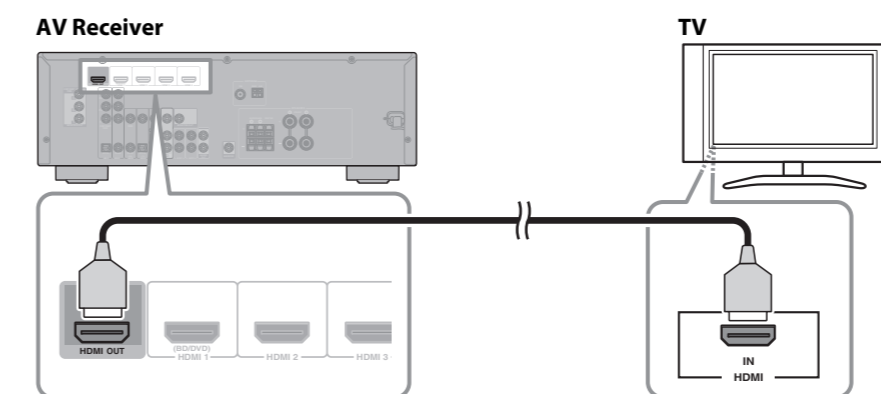
**Caution:** Disconnect all components from AC outlets before proceeding.

### 1 Connecting HDMI-capable components

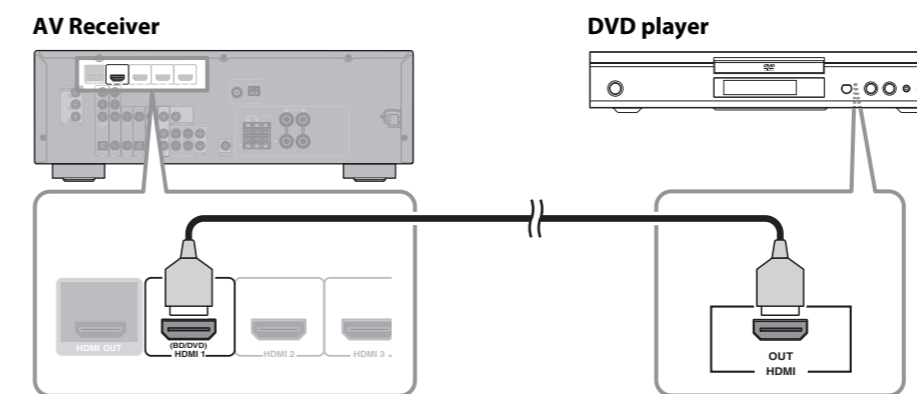
If your TV and DVD player or satellite/cable set-top box have HDMI jacks, you can connect them via the AV Receiver. Using HDMI cables (not included), connect the AV Receiver's HDMI OUT jack to an HDMI input on your TV, and connect your DVD player and satellite/cable set-top box to the AV Receiver's HDMI 1 (BD/DVD) and HDMI 2 jacks, respectively, as shown.

See the owner's manuals for more information about HDMI.

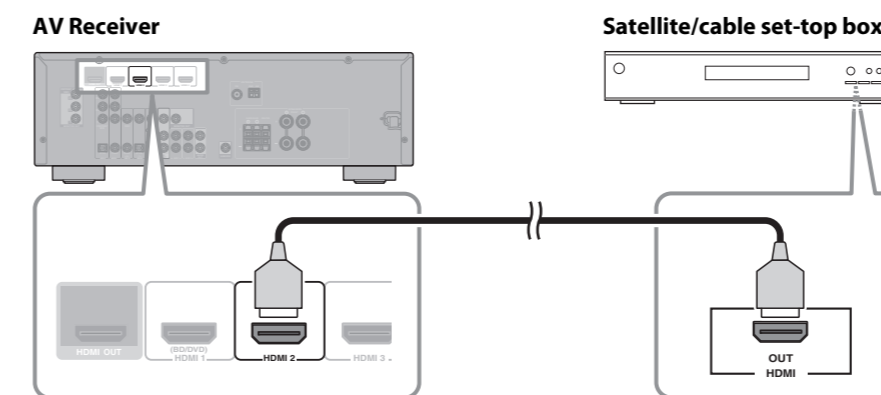
#### ● Connecting your TV



#### ● Connecting your DVD player



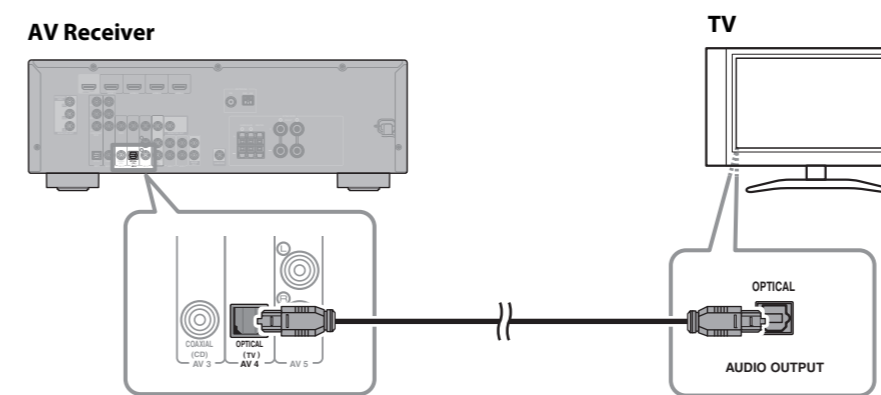
#### ● Connecting your satellite/cable set-top box



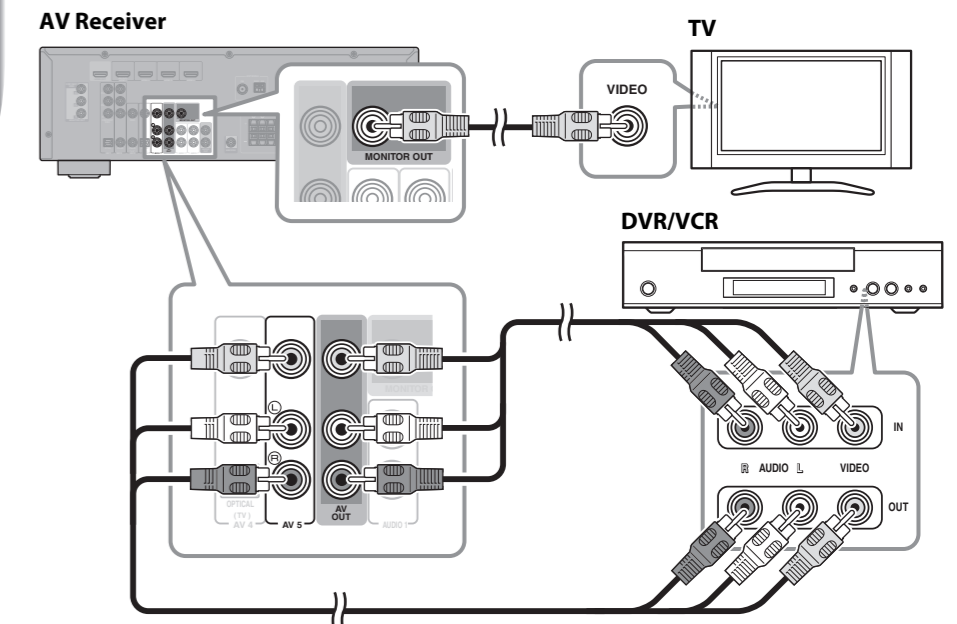
### 2 Connecting your TV for audio output

You can listen to TV audio through the AV Receiver and speakers by connecting an audio output on your TV to an audio input on the AV Receiver with, for example, an optical digital audio cable (not included), as shown.

To listen to TV audio, select the appropriate input source on the AV Receiver.



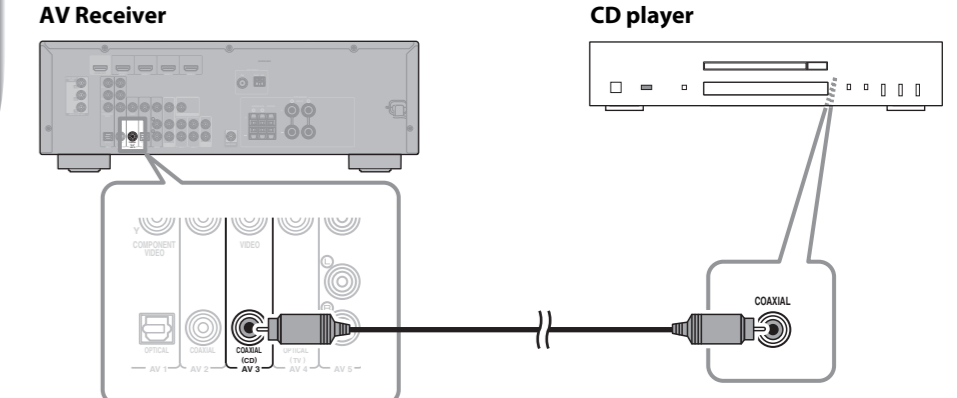
### 3 Connecting your DVR/VCR



Use a video pin cable (not included) to connect the AV Receiver's MONITOR OUT jack to a composite video input on your TV, as shown.

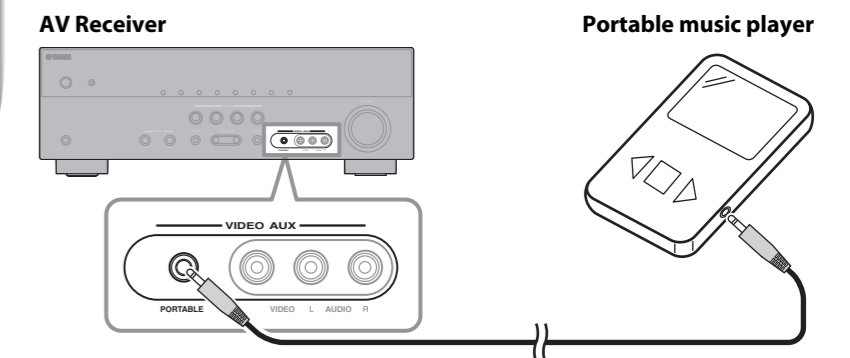
Use AV pin cables (not included) to connect your DVR (digital video recorder) or VCR to the AV Receiver's AV 5 and AV OUT jacks, as shown.

### 4 Connecting your CD player



Use an audio pin cable (not included) to connect your CD player to the AV Receiver's AV 3 COAXIAL(CD) jacks, as shown.

### 5 Connecting your portable music player



Use a 3.5 mm stereo mini plug cable (not included) to connect your portable music player to the AV Receiver's PORTABLE jack (on the front panel), as shown.

If your AV Receiver has a DOCK jack (U.S.A. and Canada models), you can connect a Yamaha Universal Dock for iPod, such as the YDS-12, or a Yamaha Bluetooth Wireless Audio Receiver, such as the YBA-10 (both sold separately). See the AV Receiver's Owner's Manual for more information.

## Almost Finished

- Connect the AV Receiver, Subwoofer, and your other AV components to suitable AC outlets.
- Turn on the AV Receiver first, then the Subwoofer and your other AV components.
- Install the batteries in the AV Receiver's remote control.
- The optimum crossover frequency setting on the AV receiver is 150–160 Hz.
- See the relevant owner's manuals for full operating instructions.

## Time to enjoy your Yamaha Home Theater Package!

Now, relax and enjoy the great sound of your Yamaha Home Theater Package.