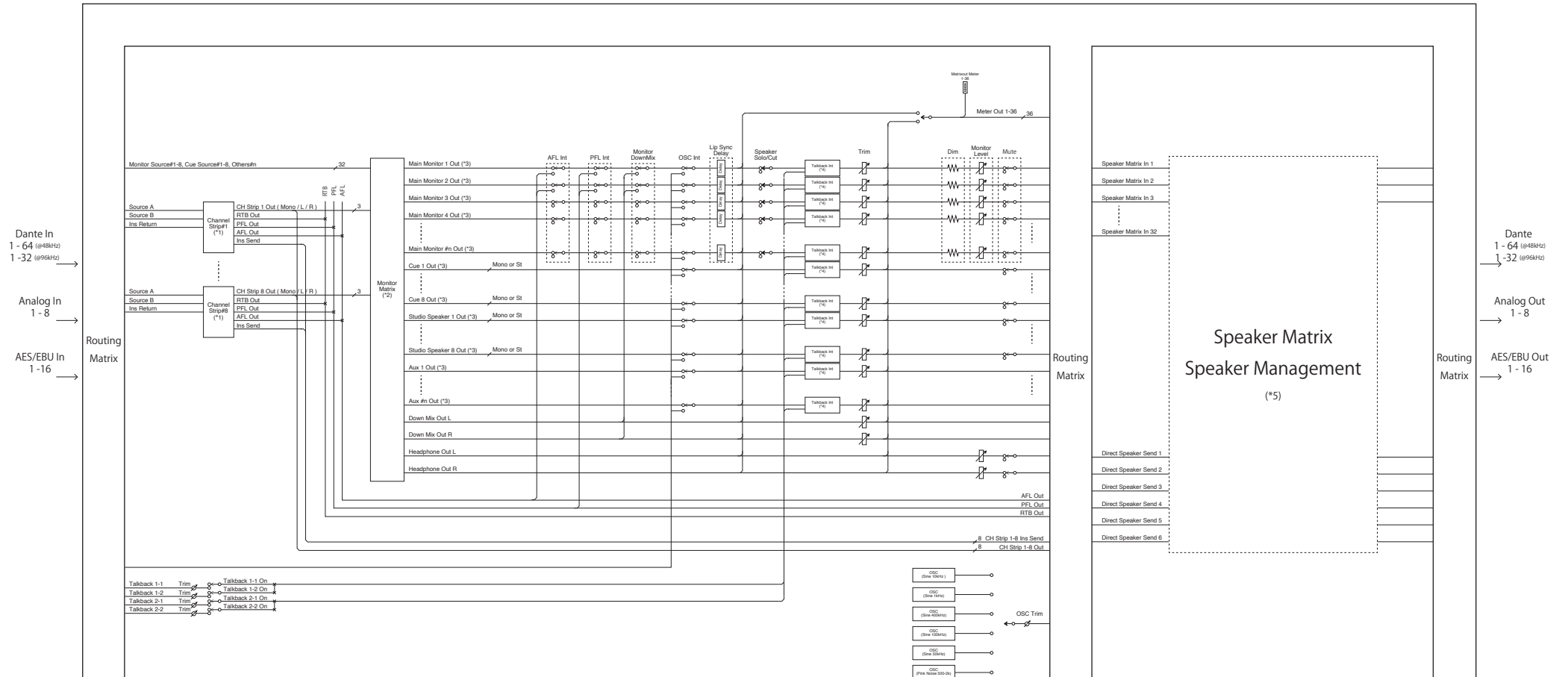
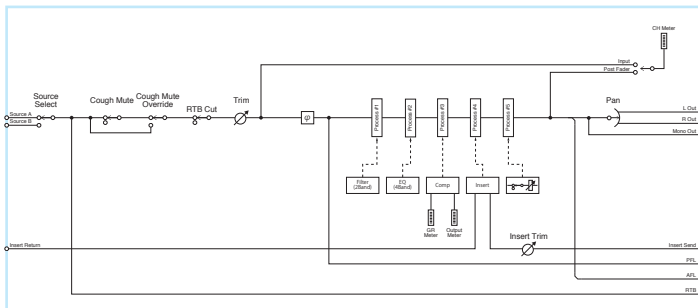


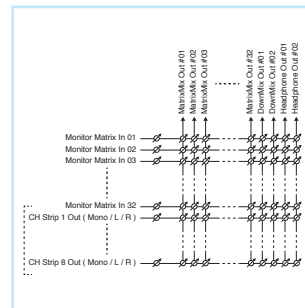
# Block Diagram



(\*1) CH Strip

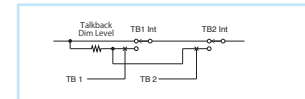


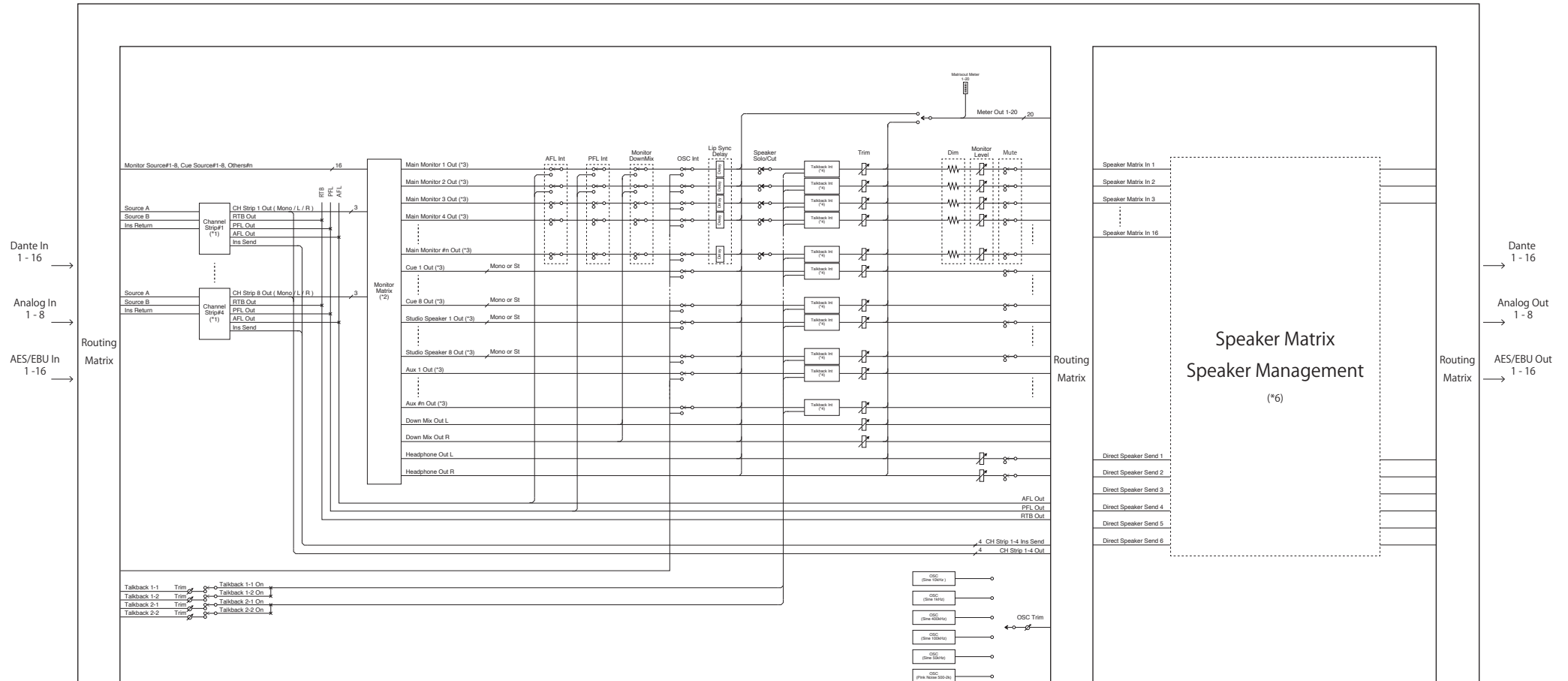
(\*2) Monitor Matrix



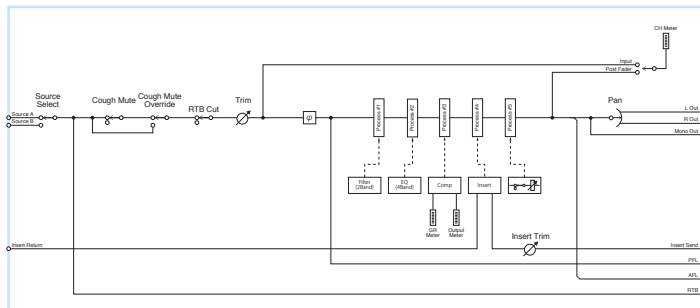
(\*3) The output configuration can be defined by the user, with Main Monitor Out, Cue 1 - 8 Out, Studio Speaker 1 - 8 Out, and AUX Out assigned to make up a total of 32 output channels.

(\*4) Talkback Int

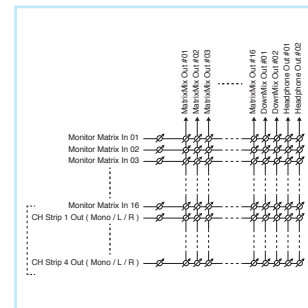




(\*1) CH Strip

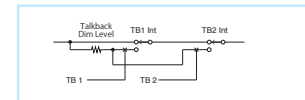


(\*2) Monitor Matrix

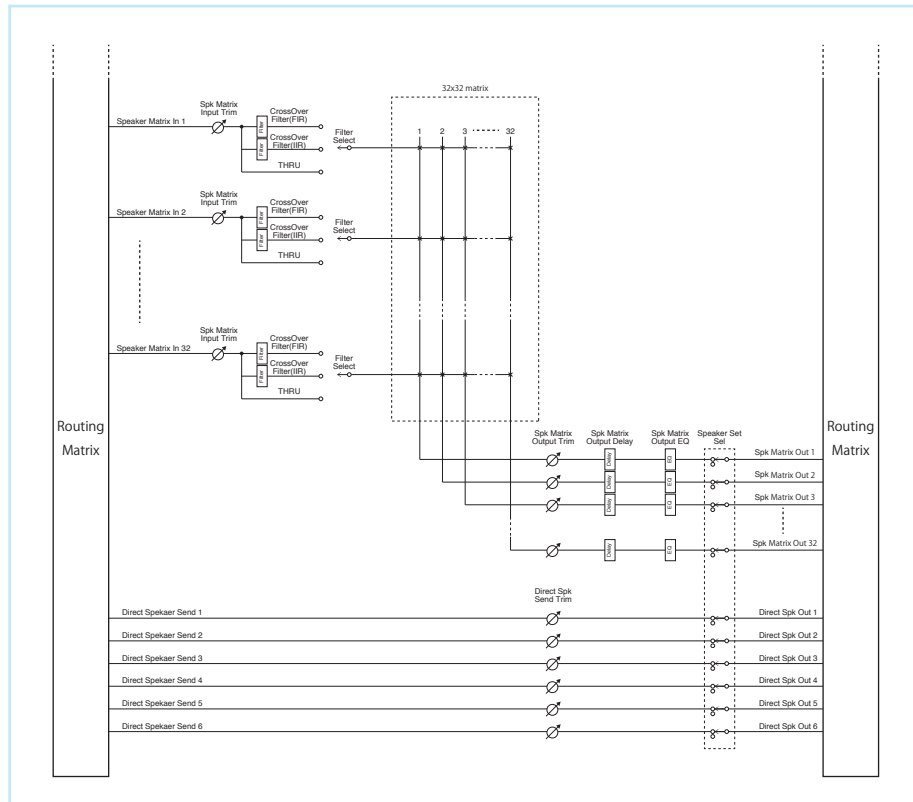


(\*3) The output configuration can be defined by the user, with Main Monitor Out, Cue 1 - 8 Out, Studio Speaker 1 - 8 Out, and AUX Out assigned to make up a total of 16 output channels.

(\*4) Talkback Int



(\*5) Speaker Matrix / Speaker Management @48/96 kHz



(\*6) Speaker Matrix / Speaker Management @192 kHz

