

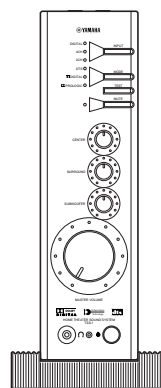
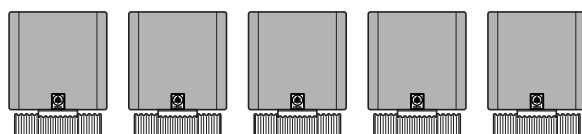
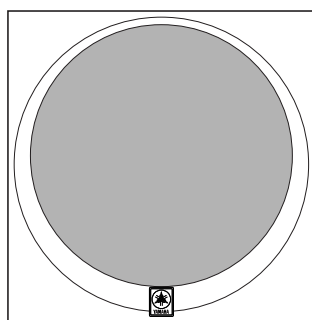


HOME THEATER SOUND SYSTEM
SYSTEME AUDIO HOME CINEMA

TSS-1

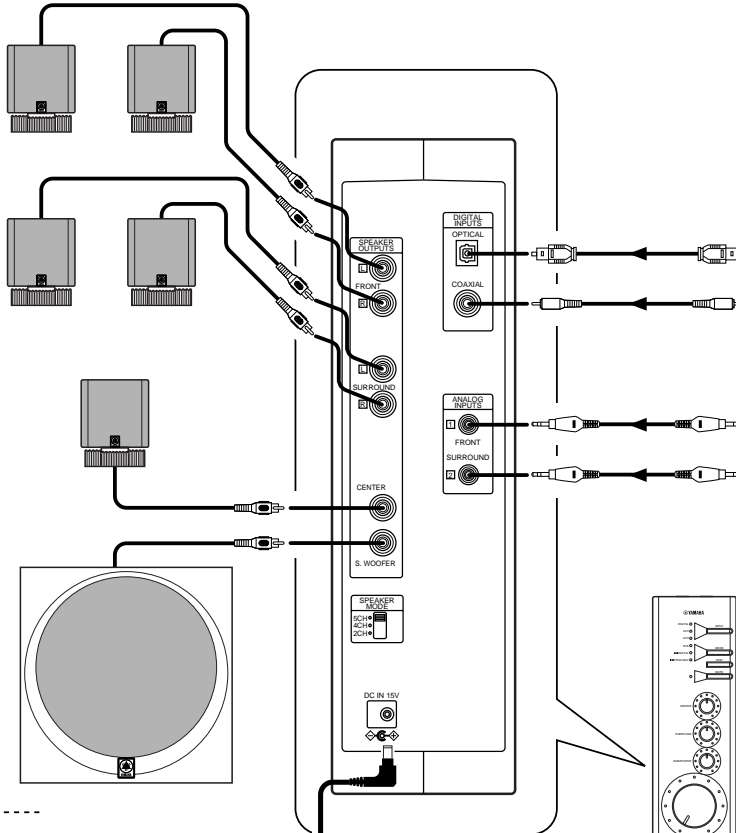


OWNER'S MANUAL
MODE D'EMPLOI
BEDIENUNGSANLEITUNG
BRUKSANVISNING
MANUALE DI ISTRUZIONI
MANUAL DE INSTRUCCIONES
GEBRUIKSAANWIJZING

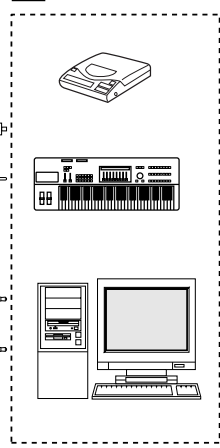


1

A



B



To AC receptacle
Vers une prise du réceptacle CA
In die Netzsteckdose
Till ett eluttag
Alla presa CA
A la tomacorriente de CA
Naar netaansluiting

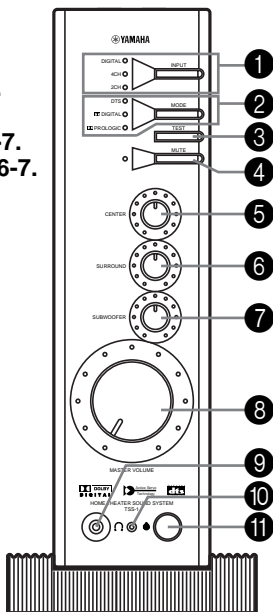
PA-SR601:
AC adaptor
Adaptateur CA
Netzteil
Nätadapter
Trasformatore CA
Adaptador de CA
Netadapter

Rear panel
Panneau arrière
Rückseite
Bakpanel
Pannello posteriore
Panel trasero
Achterpaneel

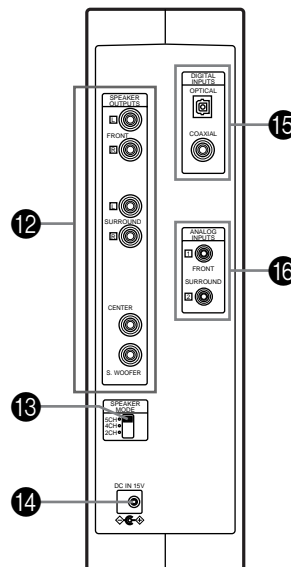
Amplifier unit
Unité d'amplification
Verstärker-Einheit
Förstärkare
Unità amplificatore
Amplificador
Versterker

2

See pages 6-7.
Voir page 6-7.
Siehe Seiten 6-7.
Se sid 6-7.
Vedere pagina 6-7.
Vea las páginas 6-7.
Zie blz. 6-7.



Front panel
Panneau Avant
Vorderseite
Frontpanel
Pannello frontale
Panel delantero
Voorpaneel



Rear panel
Panneau arrière
Rückseite
Bakpanel
Pannello posteriore
Panel trasero
Achterpaneel

Cautions

Please read the following operating precautions before use. YAMAHA will not be held responsible for any damage and/or injury caused by not following the cautions below.

- When you disconnect the AC adaptor from the AC receptacle, hold the plug itself and not the cord.
- If you plan not to use this system for a while, disconnect the AC adaptor from the AC receptacle.
- Always disconnect the AC adaptor from the AC receptacle before making any connections.
- This system does not contain any user serviceable parts. Refer all servicing to your Yamaha dealer.
- **Never open the cabinet.** If a foreign object drops into the set, contact your dealer and stop using this system. Otherwise, you may cause a fire.
- Do not expose this system to extreme temperatures, direct sunlight, excessive dust, humidity, or vibration.
- Position this system on a level, stable surface. Do not drop, apply excessive force to its controls, or put heavy items on top of it.
- Do not place small metallic objects on this system. Otherwise, the object may fall, possibly causing an injury.
- Since the amplifier unit has a built-in power amplifier, heat will radiate from the ventilation slits. Place the amplifier unit apart from the walls, allowing a space of at least 20 cm (7-7/8") above, 10 cm (3-15/16") behind and on both sides of the amplifier unit.
Also, do not position with the rear panel facing down on the floor or other surfaces and do not cover the amplifier unit with a newspaper, a tablecloth, a curtain, etc. in order not to obstruct heat radiation.
If the temperature inside the amplifier unit rises, it may cause fire, damage to the amplifier unit and/or personal injury.
- Do not place the following objects on this system:
Glass, china, etc.
If glass etc. falls by vibrations and breaks, it may cause personal injury.
A burning candle etc.
If the candle falls by vibrations, it may cause fire and personal injury.
A vessel with water in it
If the vessel falls by vibrations and water spills, it may cause damage to this system, and/or you may get an electric shock.
- To protect this system, avoid microphone feedback, continuous and excessive output from electronic musical instruments, and excessive signal distortion.
- If this system is located close to a monitor, or fluorescent or neon lights, a slight hum may be heard. In this case, relocate this system away from the light.
- Although this system is magnetically shielded, keep floppy disks and tapes away from it.

- Avoid sources of hum (transformers, motors). To prevent fire or electrical shock, do not expose to rain or water.
- Do not use force on switches, knobs, or cables. When you move this system, first turn off the power, then disconnect the AC adaptor from the AC receptacle and the cables from the connected devices.
- Always set the MASTER VOLUME control fully to the left before starting to play the audio source: turn the control gradually after playback has started.
- **Be sure to only use the AC adaptor (PA-SR601) supplied with this system. Otherwise, you might cause a fire or damage to this system.**

Standby mode

When this system is turned off by pressing the power switch, this system consumes a small amount of power. This state is called the standby mode. The power supply is completely cut off from the AC line only when the AC adaptor is disconnected.

This system features a magnetically shielded design, but there is still a chance that placing it too close to a TV or a computer monitor might impair picture color. Should this happen, move this system away from the TV or the computer monitor.

For U.K. customers

If the socket outlets in the home are not suitable for the plug supplied with this appliance, it should be cut off and an appropriate 3 pin plug fitted. For details, refer to the instructions described below.

Note: The plug severed from the mains lead must be destroyed, as a plug with bared flexible cord is hazardous if engaged in a live socket outlet.

SPECIAL INSTRUCTIONS FOR U.K. MODEL

IMPORTANT:

THE WIRES IN MAINS LEAD ARE COLOURED IN ACCORDANCE WITH THE FOLLOWING CODE:

Blue: NEUTRAL

Brown: LIVE

As the colours of the wires in the mains lead of this apparatus may not correspond with the coloured markings identifying the terminals in your plug, proceed as follows: The wire which is coloured BLUE must be connected to the terminal which is marked with the letter N or coloured BLACK. The wire which is coloured BROWN must be connected to the terminal which is marked with the letter L or coloured RED. Making sure that neither core is connected to the earth terminal of the three pin plug.

Contents

Cautions	1	Controls & connectors	6
Unpacking	2	Adjusting speaker balance	8
Features	2	Playing a source	8
Setting up the system	4	Troubleshooting	9
Connections	6	Specifications	10

Unpacking

After unpacking, check that the following parts are included.

- **Amplifier unit**
- **Satellite speaker x 5**
 - Satellite speaker with a 3 m cord x 3
 - Satellite speaker with a 7 m cord x 2
- **Subwoofer**
- **Accessories**
 - AC adaptor (PA-SR601) x 1
 - Stereo mini plug cable x 2
 - Optical fiber cable x 1
 - RCA pin-plug cable x 1
 - Stand for the amplifier unit x 1
 - Screw x 2
 - Pad x 24
 - Fastener x 1

Features

Multi-Channel Surround System for Home Theater, Game Amusement and PC DVD.

- **Combination of Amplifier Unit, Five Satellite Speakers and Subwoofer**
- **Dolby Digital and DTS decoder**
(Refer to the next page.)
- **5.1-Channel Full-Scale System for DVD Movie Entertainment**
- **5.1-Ch Full-Scale, 4.1-Ch (Game Surround) and Stereo (Virtual Surround) Speaker Modes**
- **Yamaha's Exclusive Active Servo Technology for Powerfull Bass Response**
- **1 Optical and 1 Coaxial Digital Inputs**
- **Two Analog Inputs (front/rear channel)**
- **Test Tone Generator for Accurate Speaker Balancing**

Welcome to the exciting world of digital home entertainment.

The TSS-1 is a compact, but complete and advanced home theater sound system that takes you to the exciting world of digital surround sound entertainment. Though some of the advanced features of this system may not be familiar to you, they are easy to use. Incorporated state-of-the-art technology such as Dolby Digital and DTS can bring the same audio experience to your home as they have brought to feature films in quality theaters around the world. Take some time now to read more about these features and enjoy the new experiences this system brings to your home theater.

■ Dolby Surround

Dolby Surround uses four discrete channels and five speakers to reproduce realistic and dynamic sound effects: two main channels (left and right), a center channel for dialog, and a rear channel for special sound effects. The rear channel reproduces sound within a narrow frequency range.

Most video tapes and laser discs include Dolby Surround encoding, as do many TV and cable broadcasts. The Dolby Pro Logic decoder built into this unit employs a digital signal processing system that stabilizes each channel for even more accurate sound positioning than is available with standard analog processors.

■ Dolby Digital*

Dolby Digital is a digital surround sound system that provides completely independent multi-channel audio to you. Dolby Digital provides five full-range channels in what is sometimes referred to as a "3/2" configuration: three front channels (left, center and right), and two surround channels. A sixth bass-only effect channel is also provided for output of LFE (low frequency effect), or low bass effects that are independent of other channels. (This is called the "LFE channel".) This channel is counted as 0.1, thus giving rise to the term 5.1 channels in total.

The wide dynamic range of sound reproduced by the five full-range channels and precise sound orientation by digital sound processing provides listeners with excitement and realism that have never been experienced before.

■ DTS (Digital Theater System) Digital Surround**

DTS was developed to replace the analog soundtracks of movies with six discrete channels of digital soundtracks, and it is now installed in many theaters around the world. The DTS digital playback system changed the way we experienced movies in theaters with six discrete channels of superb digital audio.

DTS technology, through intense research and development, has made it possible to deliver similar encode/decode discrete technology to home audio surround-sound entertainment.

DTS Digital Surround is an encode/decode system which delivers six channels of master-quality, 20-bit audio; technically, it offers 5.1 channels, which means 5 full-range (left, center, right and two surround) channels, plus a subwoofer (LFE) channel (as "0.1"). It is compatible with the 5.1 speaker configurations that are currently available for home theater systems.

Notes

- When playing an ordinary CD on this system following playback of a CD or an LD encoded with DTS, some operations, such as resetting input modes, may be required.
- Even if connected to this system with a digital connection, some CD, LD, and DVD players may make this system fail to decode DTS or produce noise. This is because certain digital data processing by such players can result in DTS data decoding errors that cause playback failure although the same data processing may cause only a slight change in volume or in frequency response with normal digital sound.
- If an error occurs in the player's digital output data during playback of an LD or CD encoded with DTS, playback may be disrupted. If this occurs, stop playback and repower the player.
- When digital sound signals from the computer are played, errors in WAVE signals, etc. may occur resulting in noise or playback failure.



Manufactured under license from Dolby Laboratories. "Dolby", "Pro Logic" and the double-D symbol are trademarks of Dolby Laboratories. Confidential Unpublished Works. ©1992–1997 Dolby Laboratories, Inc. All rights reserved.



Manufactured under license from Digital Theater Systems, Inc. US Pat. No. 5,451,942 and other world-wide patents issued and pending. "DTS", "DTS Digital Surround", are trademarks of Digital Theater Systems, Inc. Copyright 1996 Digital Theater Systems, Inc. All Rights Reserved.

Setting up the system

System configuration

This system includes an amplifier unit, five satellite speakers and a subwoofer.

The three satellite speakers with a 3 m cord are used as front speakers and a center speaker.

The two satellite speakers with a 7 m cord are used as surround speakers.

The role of respective speakers

The front speakers are used for reproducing main channel sound. The surround speakers are used for effect sounds, and the center speaker is for center channel sound (dialog etc.).

The subwoofer is used for reproducing sounds of low frequencies from the front, center and surround channels. The subwoofer also reproduces sounds of the subwoofer channel when a DTS or Dolby Digital encoded source is played.

Recommended speaker placement

Before making connections, place all speakers in their respective positions. The positioning of the speakers is important because it controls the overall sound quality of this system.

Place the speakers depending on your listening position by following the instructions below.

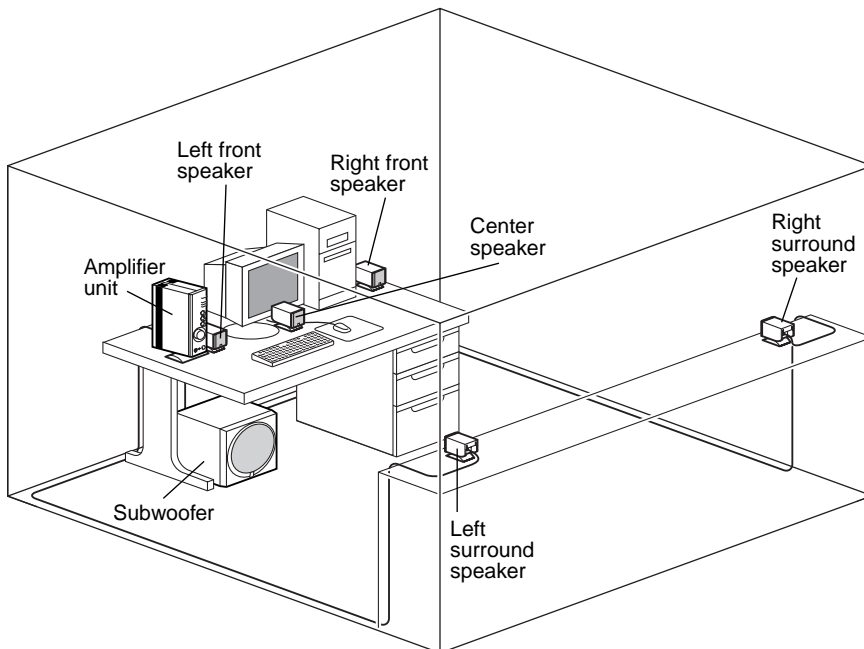
* The satellite speakers can be mounted on a wall. (See the next page.)

Front speakers: On both sides of and at approximately the same height as the TV (or computer monitor).

Surround speakers: Behind your listening position or on both sides of the listening room.

Center speaker: Precisely between the front speakers.
* The center speaker can be mounted on the monitor as shown on the next page.

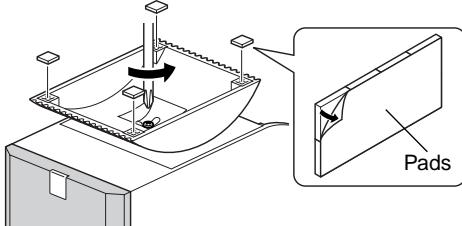
Subwoofer: On the floor. The position of the subwoofer is not so critical because low bass tones are not highly directional.



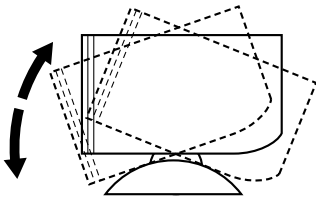
■ Adjusting the front angle of the satellite speakers

The front angle of the satellite speakers can be adjusted as shown below.

- 1 Loosen the screw on the bottom of the speaker stand.
 - * Attach the supplied nonskid pads at the four corners on the bottom of the stand for improved stability.



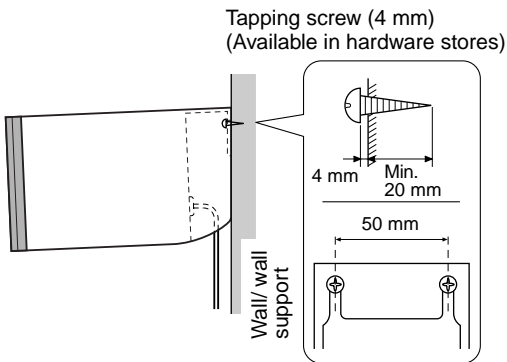
- 2 Adjust the speaker angle on the stand as you prefer, and then tighten the screw.



■ Mounting satellite speakers on a wall

The satellite speakers can also be hung on the wall. Fasten screws into a firm wall or wall support as shown in the figure, and hang the slits on the rear of the speaker on the protruding screws.

- * Make sure that the screws are securely caught by the slits.



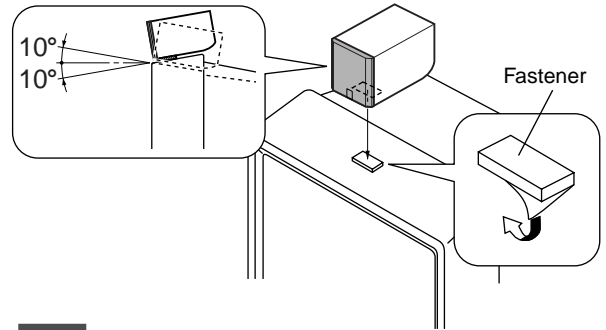
Warning

- Each speaker weighs 0.4 kg (0.9 lbs.). Do not mount them on thin plywood or a wall with soft surface material. If mounted, the screws may come out of the flimsy surface and the speakers may fall. This could damage the speakers and cause personal injury.
- Do not install the speakers on a wall with nails, adhesives, or any other unstable hardware. Long-term use and vibrations may cause them to fall.
- To avoid accidents resulting from tripping over loose speaker cords, fix them to the wall.

■ Placing a center speaker on top of the monitor

When placing the center speaker on top of the monitor, remove the stand from the speaker, and attach the provided fastener at the bottom of the speaker and on top of the monitor to prevent the speaker from falling.

- * Do not place the speaker on top of the monitor with an inclination of more than 10 degrees.



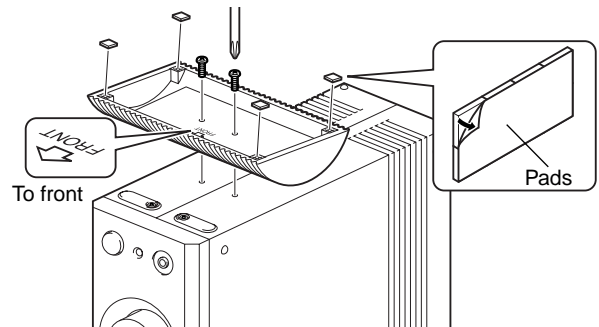
Note

Though this speaker is a magnetically shielded type, there may be some influence on the monitor picture depending on the type of monitor or the placement of the speaker. In such a case, place the speaker further apart from the monitor until there is no influence on the monitor picture.

■ Mounting the amplifier unit on the supplied stand

For improved stability, it is recommended to mount the amplifier unit on the supplied stand with the supplied screws as shown below.

- * Attach the supplied nonskid pads at the four corners on the bottom of the stand for improved stability.



Connections

(See figure 1 inside the front cover.)

Caution: Plug in the amplifier unit and other equipment after all connections are completed.

- A**: Connect the three satellite speakers with a 3 m cord to the **FRONT L, R** and **CENTER** terminals. Connect the two satellite speakers with a 7 m cord to the **SURROUND L** and **R** terminals. Connect the subwoofer to the **SUBWOOFER** terminal.
- B**: Connect external audio/video units (a personal computer, a video game player, a portable DVD/CD player, a video cassette player, etc. which send playback signals to this system) to these terminals.

Cautions

- When placing the provided AC adaptor on the desk, etc., be sure to fix the adaptor on the desk, etc. to prevent it from falling. If the adaptor falls, it may cause personal injury or damage to the adaptor and/or other equipment.
- The **SPEAKER OUTPUT** terminals on the rear of the amplifier unit are only designed for connection of the supplied speakers. Never connect these terminals to an AV amplifier or a power amplifier, as it may cause misoperation, fire and/or damage to this system.

Controls & connectors

(See figure 2 inside the front cover.)

1 INPUT selector button and indicators

Press this button repeatedly to select an input mode between **DIGITAL**, **4CH** and **2CH**. The current mode is shown by the lighting of the corresponding indicator.

DIGITAL:

Select this mode to reproduce signals received at the **OPTICAL** or the **COAXIAL** terminal on the rear panel. When both **OPTICAL** and **COAXIAL** terminals receive signals, the signals at the **OPTICAL** terminal are selected.

4CH:

Select this mode to reproduce signals received at the analog input **FRONT** and **SURROUND** terminals on the rear panel in 4-channel surround sound mode. (The center speaker is not used in this mode.)

2CH:

Select this mode to reproduce signals received at the analog input **FRONT** terminal on the rear panel. (The **DIGITAL PROLOGIC** surround mode can be used in this mode.)

2 MODE selector button and indicators

Press this button repeatedly to select the desired surround mode between **on** (**DTS**, **DIGITAL**, **PROLOGIC**) and **off**. The current mode is shown by the lighting of the corresponding indicator.

* If a DTS or Dolby Digital encoded signal is inputted when the surround mode is off, the corresponding indicator lights up dimly.

DTS:

Select this mode to reproduce a DTS encoded input source. This mode can be selected only when the input signal is encoded with DTS and the input mode is set to **DIGITAL**.

DIGITAL:

Select this mode to reproduce a Dolby Digital encoded input source.

This mode can be selected only when the input signal is encoded with Dolby Digital and the input mode is set to **DIGITAL**.

PROLOGIC:

Select this mode to reproduce a Dolby Prologic encoded input source.

This mode cannot be selected when the input mode is set to **4CH**.

3 TEST button

Press this button to reproduce a test tone from the speakers. A test tone is reproduced from each speaker as shown below. The test tone is used for adjusting volume balance among all the speakers.

FRONT L → CENTER → FRONT R
↑ SURROUND L ← SURROUND R ↓

* Not all of the speakers reproduce the test tone depending on the setting of the **SPEAKER MODE** switch (13).

4 MUTE button and indicator

Press this button to cut off sound output temporarily. When this function is active, the indicator lights up. Press this button again to restore sound output.

* Sound output will also be restored by changing the status of this system between standby and power-on modes, and changing the input mode or the surround mode.

5 CENTER level control

This control is used for adjusting the sound level from the center speaker. Turn this control clockwise to increase the level, and counterclockwise to decrease the level.

6 SURROUND level control

This control is used for adjusting the sound level from the surround speakers. Turn this control clockwise to increase the level, and counterclockwise to decrease the level.

7 SUBWOOFER level control

This control is used for adjusting the sound level from the subwoofer. Turn this control clockwise to increase the level, and counterclockwise to decrease the level.

8 MASTER VOLUME control

This control is used for adjusting the overall volume level of this system. Turn this control clockwise to increase the level, and counterclockwise to decrease the level.

9 Headphone jack

Stereo headphones can be connected to this mini-jack for private listening. Sound output from the speakers is cut off when headphones are connected to this jack. Sounds of all channels are mixed into 2 channels and reproduced over the headphones.

10 Power indicator

Lights up when the power of this system is on.

11 Power switch

Each press of this switch changes the status of this system between standby mode and power on. When the power is on, the power indicator (10) lights up.

* Note that this system uses a small amount of power in the standby mode.

12 SPEAKER OUTPUTS**FRONT:**

Connect one satellite speaker with a 3 m cord to the L terminal and another to the R terminal. They are used as the front speakers.

SURROUND:

Connect one satellite speaker with a 7 m cord to the L terminal and the other to the R terminal. They are used as the surround speakers.

CENTER:

Connect one satellite speaker with a 3 m cord to this terminal. It is used as the center speaker.

S. WOOFER:

Connect the subwoofer to this terminal.

13 SPEAKER MODE switch

Normally, set this switch to **5CH**. According to your preference, set this switch to another position.

5CH:

All speakers are used in this mode.

4CH:

Select this position when you will not use the center speaker. In this mode, center sound is mixed and outputted from the front L and R speakers.

2CH:

Select this position when you will not use the center and surround speakers. In this mode, sounds of all channels are mixed and reproduced from the front L and R speakers as virtual surround sounds. [The surround speakers reproduce the same sounds as the front speakers (except for the test tone).]

14 DC IN connector

Connect the supplied AC adaptor to this connector.

15 DIGITAL INPUTS

External units with digital signal output terminals can be connected to these terminals.

Input signals received at the **OPTICAL** terminal have priority over the signals at the **COAXIAL** terminal.

OPTICAL:

Connect an external unit (a DVD/CD player, an MD recorder, a video game player, etc.) with an optical digital output terminal to this terminal by using the supplied optical cable.

COAXIAL:

Connect an external unit (a DVD/CD player, an MD recorder, a video game player, etc.) with a coaxial digital output terminal to this terminal by using the supplied RCA pin-plug cable.

16 ANALOG INPUTS

Connect the analog signal output terminals of an external unit to these mini-jack terminals by using the supplied mini plug cables or commercially available pin-to-mini plug cables.

FRONT:

Connect the analog (stereo) signal output terminal of an external unit to this terminal by using the supplied mini plug cable. When you connect a sound board on a computer which has 4-channel output terminals, connect the front channel output terminal of the sound board to this terminal.

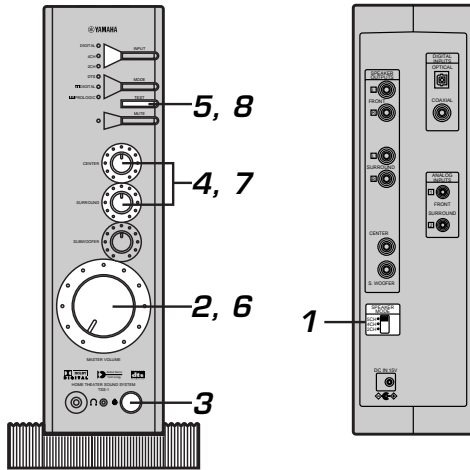
SURROUND:

When you connect a sound board on a computer which has 4-channel output terminals, connect the rear channel output terminal of the sound board to this terminal.

Adjusting speaker balance

This procedure lets you adjust the sound output level balance between the front, center and surround speakers by using the built-in test tone generator. Make this adjustment so that each speaker output level is about the same when heard at the listening position. This is important for high performance of the built-in DTS decoder and Dolby Digital decoder.

* Once you have completed this adjustment, you can adjust the overall volume level of this system by using only the **MASTER VOLUME** control.



1 Set the **SPEAKER MODE** switch to “5CH”.

2 Turn the **MASTER VOLUME** control fully counterclockwise to decrease the volume to minimum.

3 Turn on this system.

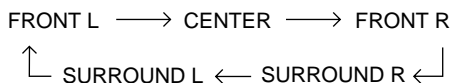
4 Set the **CENTER** and **SURROUND** level controls at the center position.



5 Press the **TEST** button.

6 Adjust the master volume to the desired level.

* You will hear a test tone (so called pink noise) from each speaker for about two seconds in the following order.



7 Adjust the **CENTER** and **SURROUND** level controls while listening to the test tones so that their levels become about the same as the front speakers' level.

* Adjust the right-left volume balance of the front speakers and the surround speakers by changing the position of each speaker.

8 When the adjustment is completed, press the **TEST** button.

* The test tone stops.

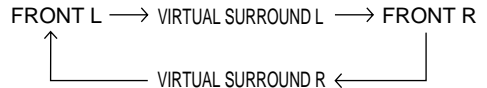
Notes

• When the **SPEAKER MODE** switch is set to “4CH”:

The test tone for the center channel is reproduced from both the left and right front speakers at the same time.

When the **SPEAKER MODE** switch is set to “2CH”:

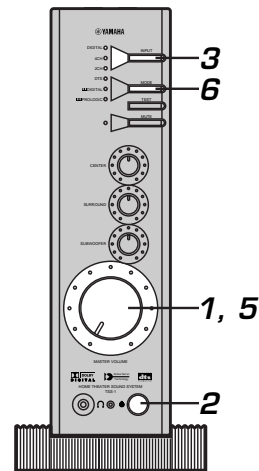
The test tones for the left and right surround channels are reproduced from the left and right front speakers respectively. The output order of the test tones is as follows.



• Adjust the subwoofer level while listening to playback sounds of a source.

Playing a source

This section explains how to turn on this system and select input sources. Before turning on this system, turn on the external audio unit to be used.



1 Turn the **MASTER VOLUME** control fully counterclockwise to decrease the volume to minimum.

2 Turn on this system.

3 Select the appropriate input mode by pressing the **INPUT** selector button.

* The indicator for the selected input mode lights up.
* Refer to the “**Controls & connectors**” on page 6 for details about the input modes.

4 Play a source on the external unit.





5 Adjust the volume to the desired level.

6 Select a desired surround mode.

* Refer to the “**Controls & connectors**” on page 6 for details about the surround modes.

Troubleshooting

Refer to the chart below if this system does not function properly. If the problem you are experiencing is not listed below or if the instructions given below do not help, disconnect the AC adaptor and contact your authorized YAMAHA dealer or service center.

Problem	Cause	What to Do
No sound from the speakers or subwoofer.	The AC adaptor is not properly plugged into the AC receptacle.	Insert the AC adaptor firmly into the AC receptacle.
	The power of the amplifier unit is set in the standby mode.	Turn on the power by pressing the power switch. (The power indicator lights up.)
	Connections are faulty or incomplete.	Make the connections again.
	The appropriate input mode is not selected.	Select the appropriate input mode by pressing the INPUT selector button.
	The volume setting is low.	Turn the MASTER VOLUME control clockwise to increase the volume.
	The MUTE function is active. (The indicator on the left side of the MUTE button is lit.)	Press the MUTE button to cancel this function.
No sound from the surround speakers	The SURROUND level control is set to minimum.	Turn the SURROUND level control clockwise to increase the level.
	The surround mode is off.	Select the appropriate surround mode by pressing the MODE button. If no mode can be selected, change the input source to another which is encoded with DTS, Dolby Digital or Dolby Prologic.
No sound from the center speaker	The CENTER level control is set to minimum.	Turn the CENTER level control clockwise to increase the level.
	The SPEAKER MODE switch on the rear panel of the amplifier unit is set to "2CH" or "4CH".	Set the SPEAKER MODE switch to "5CH".
	The surround mode is off.	Select the appropriate surround mode by pressing the MODE button. If no mode can be selected, change the input source to another which is encoded with DTS, Dolby Digital or Dolby Prologic.
No sound from the center and surround speakers though the DTS or  DIGITAL mode indicator is dimly illuminated.	Dim illumination of an indicator means that signals encoded with the corresponding format (DTS or Dolby Digital) is inputted to this system. In this case, the signals are mixed into 2 channels and reproduced from the front speakers only.	Press the MODE button for the appropriate surround format. The indicator turns bright, and the center and surround speakers reproduce sounds since the surround format is decoded.
Though a Dolby Digital encoded source is inputted to this system, the  DIGITAL mode indicator is dimly illuminated and the  PROLOGIC mode indicator is brightly illuminated.	A Dolby Digital 2-channel encoded source is inputted to this system.	If the input source is compatible with 5.1 channels, select "5.1-channel mode" on the player which is sending signals to this system. (If the input source is not compatible with 5.1 channels, you can enjoy the source in a multi-channel mode by using the  PROLOGIC surround mode.)
Sound is distorted.	The level of the input signal is too high.	Turn down the output level on the connected component.
Noise.	The level of the input signal is too low.	Turn up the output level on the connected component.
	Connections are faulty or incomplete.	Make the connections again.
	The amplifier unit is too close to the monitor.	Place the amplifier unit away from the monitor.

Specifications

Amplifier unit

Output Power per Channel

..... Satellite: 6W (1 kHz, 4Ω, 10% THD)
..... Subwoofer: 18W (100 Hz, 4Ω, 10% THD)

Input Sensitivity 200 mV

Headphone Jack Output Level/Output Impedance

..... 450 mV/30Ω (1 kHz, 200 mV)

Frequency Response 40 Hz–20 kHz

Dimensions (W × H × D) 113 × 272 × 206 mm
(4-7/16" × 10-11/16" × 8-1/8")

Weight 1.5 kg (3.3 lbs.)

Satellite speakers

Type Full range speaker system
..... Magnetically shielded type

Driver 5 cm (2") spruce cone type

Impedance 4Ω

Dimensions (W x H x D) 70 mm × 95 mm × 118 mm
(2-3/4" × 3-3/4" × 4-5/8")

Weight 0.4 kg (0.9 lbs.)

Subwoofer

Type Active Servo Processing Subwoofer System

Driver 13 cm (5") cone woofer
..... Magnetically shielded type

Impedance 4Ω

Dimensions (W x H x D) 220 mm x 224 mm x 222 mm
(8-11/16" × 8-13/16" × 8-3/4")

Weight 3.4 kg (7.5 lbs.)

Accessories

AC adaptor (PA-SR601) × 1
Stereo mini plug cable (1.8m) × 2
Optical fiber cable (1.0m) × 1
RCA pin-plug cable (1.8m) × 1
Stand for the amplifier unit × 1
Screw × 2
Pad × 24
Fastener × 1

* Please note that all specifications are subject to change without notice.

Précautions

*Veillez lire les précautions suivantes avant toute utilisation :
YAMAHA ne peut être tenue responsable pour tout
dommage et/ou blessure résultant de la non-observation
des avertissements ci-après.*

- Lorsque vous débranchez l'adaptateur de la prise du secteur, retirez-le en maintenant la prise et non pas en tirant sur le câble.
- Si vous prévoyez de ne pas utiliser ce système pendant une longue période de temps, débranchez-le de la prise du secteur.
- Débranchez toujours l'adaptateur secteur de la prise secteur avant de procéder à des connexions.
- Ce système ne contient aucune pièce réparable par l'utilisateur. Pour toute intervention, veuillez confier l'appareil à votre représentant Yamaha.
- **Ne jamais ouvrir le boîtier.** Si un objet étranger pénètre dans le système, contactez votre revendeur et arrêtez de l'utiliser. Il y a risque d'incendie.
- Ne pas exposer ce système à des températures extrêmes, aux rayons du soleil, à des excès de poussière, d'humidité ou de vibrations.
- Placez ce système sur une surface de niveau et stable. Ne jamais forcer les commandes ou placer des objets lourds sur ces dernières.
- Ne placer aucun petit objet métallique sur ce système. Ils pourraient en effet tomber et vous blesser.
- Etant donné que l'unité d'amplification possède un amplificateur de puissance intégré, de la chaleur s'échappe des fentes de ventilation. Ne pas placer l'unité d'amplification près de murs et laissez un espace d'au moins 20 cm au-dessus, 10 cm à l'arrière et sur les deux côtés de l'unité d'amplification.
Ne pas non plus placer cet appareil debout sur sa face arrière au sol ou sur toute autre surface et ne pas le couvrir avec un journal, une nappe, un rideau, etc. afin de ne pas entraver la ventilation.
Si la température à l'intérieur de l'unité d'amplification augmente trop, cela risque de déclencher un incendie, d'endommager l'unité d'amplification et/ou de causer une blessure corporelle.
- Ne pas placer les objets suivants sur ce système :
Des verres, de la vaisselle, etc.
Si, à cause des vibrations, un verre ou autre chose tombe et se casse, cela risque de causer une blessure corporelle.
Une bougie allumée, etc.
Si celle-ci tombe à cause des vibrations, cela peut déclencher un incendie ou causer une blessure corporelle.
Un récipient contenant de l'eau
Si le récipient tombe et l'eau se renverse, le système risque d'être endommagé et/ou de vous exposer à une électrocution.
- Afin de protéger ce système, évitez les effets de larsen en utilisant un microphone et veillez à ne pas l'exposer continuellement à un niveau de sortie excessif d'instruments de musique électronique ou à un signal à forte distorsion.
- Si ce système est placé à proximité d'un moniteur ou d'une lampe fluorescente, un léger bourdonnement risque de se faire entendre. Dans ce cas, éloignez ce système de ces sources de bruits parasites.
- Bien que ce système soit pourvu d'un blindage anti-magnétique, ne pas placer de disquettes et de cassettes à proximité.
- Evitez les sources de bourdonnement (transformateurs, moteurs). Pour éviter tout risque d'incendie ou d'électrocution, ne les exposez pas à la pluie ou à l'eau.
- Ne pas forcer sur les commutateurs, boutons ou câbles. Pour déplacer ce système, coupez l'alimentation, débranchez ensuite l'adaptateur secteur de la prise du secteur et les câbles de raccordement aux autres appareils.
- Toujours placer la commande MASTER /VOLUME complètement à gauche (en mode veille) avant de commencer la lecture d'une source audio : tournez la commande progressivement une fois que la lecture a débuté.
- **Prendre garde de n'utiliser que l'adaptateur secteur (PA-SR601) fourni avec ce système. Dans le cas contraire, vous risquez de provoquer un incendie ou d'endommager le système.**

Mode veille (Standby)

Après que ce système ait été éteint en appuyant sur l'interrupteur d'alimentation, sa consommation devient très faible. Cet état s'appelle le mode veille. L'alimentation n'est complètement coupée que lorsque l'adaptateur secteur est débranché.

Ce système est équipé d'un blindage anti-magnétique mais risque quand même d'affecter l'image couleur d'un téléviseur ou d'un moniteur d'ordinateur placé trop près. Si cela se produit, éloignez-le de la télévision ou du moniteur.

Table des matieres

Précautions	1	Commandes & connecteurs	6
Déballage	2	Réglage de la balance des enceintes	8
Caractéristiques	2	Lecture d'une source	8
Paramétrage du système	4	Résolutions des problèmes	9
Connexions	6	Fiche technique	10

Déballage

Après avoir effectué le déballage, vérifiez que les pièces suivantes sont incluses :

- **Unité d'amplification**
- **Enceinte satellite x 5**
 - Enceinte satellite avec câble de raccordement de 3 m x 3
 - Enceinte satellite avec câble de raccordement de 7 m x 2
- **Subwoofer**
- **Accessoires**
 - Adaptateur secteur (PA-SR601) x 1
 - Câble avec mini jack stéréo x 2
 - Câble à fibre optique x 1
 - Câble avec jack RCA x 1
 - Support pour unité d'amplification x 1
 - Vis x 2
 - Patins antidérapants x 24
 - Fixation x 1

Caractéristiques

Système surround multi-canaux pour cinéma domestique, jeux et DVD de PC.

- **Combinaison d'une unité d'amplification, de cinq enceintes satellite et d'un subwoofer**
- **Décodeur Dolby Digital et DTS**
(Veuillez-vous référer à la page suivante).
- **Système à 5,1 canaux à gamme de fréquence totale pour films DVD**
- **Modes d'enceinte 5,1 canaux à gamme de fréquence totale, 4,1 canaux (Surround pour jeux) et stéréo (Surround Virtuel)**
- **La technologie servo active exclusive de Yamaha pour une réponse puissante des graves**
- **1 borne d'entrée numérique optique et 1 borne d'entrée numérique coaxiale**
- **Deux bornes d'entrée analogique (canaux avant/arrière)**
- **Générateur de tonalité de test pour des réglages d'enceinte précis**

Bienvenue dans le monde passionnant du divertissement domestique numérique.

Le TSS-1 est un système sonore de cinéma domestique avancé compact mais complet qui vous emmène dans le monde passionnant du divertissement domestique surround numérique. Même si certaines caractéristiques avancées de ce système ne vous sont pas familières, elles se révéleront très faciles à utiliser. Les toutes dernières technologies incorporées telles que les Dolby Digital et DTS amèneront chez vous la même expérience audio des meilleures salles de cinéma du monde. Prenez un peu de temps pour vous familiariser avec ces caractéristiques et profitez des nouvelles expériences que propose ce système pour votre cinéma domestique.

■ Dolby Surround

Le Dolby Surround restitue les effets sonores avec réalisme et dynamisme en utilisant quatre canaux indépendants et cinq enceintes : deux canaux principaux (gauche et droite), un canal central pour les dialogues et un canal arrière pour les effets spéciaux. Le canal arrière reproduit le son dans une plage de fréquences étroite. La plupart des cassettes vidéo et laserdisc actuels sont codés en Dolby Surround. Il en est même de nombreuses émissions de télévision et par câble. Le décodeur Dolby Prologic de cet appareil utilise un système de traitement numérique du signal qui stabilise chaque canal, offrant ainsi une localisation spatiale plus précise du son que les processeurs analogiques standard.

■ Dolby Digital *

Ce système de son numérique surround restitue le son sur plusieurs canaux entièrement indépendants. Il offre cinq canaux couvrant tout le spectre sonore dans une configuration appelée parfois "3/2" : trois canaux à l'avant (gauche, central et droit) et deux canaux surround. A ceux-ci, s'ajoute un sixième canal, connu sous le nom de canal LFE ou canal d'effets basses fréquences, qui ne couvre que les basses fréquences et dont les effets se superposent à ceux des autres canaux. Ce canal se voit attribuer une valeur de 0.1, ce qui donne en tout 5.1 canaux.

La dynamique généreuse du son de ces cinq canaux à spectre sonore intégral et l'orientation précise du son rendue possible par le traitement numérique du champ sonore donnent une restitution saisissante de réalisme.

■ DTS (Digital Theater System) Digital Surround **

Le DTS a été mis au point pour remplacer les pistes sonores analogiques des films par six canaux numériques indépendants. Ce système équipe actuellement de nombreuses salles du monde entier. Les six canaux sonores numériques indépendants du système de lecture numérique DTS ont changé la manière dont nous vivons l'action à l'écran.

Grâce à des recherches et développements poussés, il est dorénavant possible de profiter de la technologie DTS en application Home Cinéma.

Le système de codage-décodage DTS offre une qualité sonore exceptionnelle avec un codage sur 20 bits et six canaux. Techniquement parlant, il comprend 5.1 canaux dont 5 couvrent tout le spectre sonore (canal gauche, canal central, canal droit et deux canaux surround) et un canal LFE (comptant pour "0.1") qui couvre les extrêmes-graves. Il

est compatible avec les configurations d'enceintes 5.1 actuellement disponibles pour les systèmes Home Cinéma.

Remarques

- Lors de la lecture d'un CD ordinaire sur ce système après avoir lu un CD ou un LD codé en DTS, certaines opérations, comme la réinitialisation des modes d'entrée, peuvent être requises.
- Même en utilisant des raccordements numériques, certains lecteurs de CD, LD et DVD peuvent empêcher ce système de décoder le format DTS ou risquent de lui faire produire du bruit. Cela provient du traitement des signaux qui entraîne des erreurs de données codées en DTS et empêche la lecture alors que le même traitement de données peut seulement causer une légère variation de volume ou de réponse en fréquence du son numérique normal.
- Lorsqu'une erreur de données de sortie numérique se produit pendant la lecture d'un LD ou d'un CD codé en DTS, la lecture peut être perturbée. Lorsque cela se produit, arrêtez la lecture, éteignez puis remettez le lecteur sous tension.
- Lors de la lecture de signaux sonores numériques provenant d'un ordinateur, des erreurs de signaux WAVE, etc. peuvent se produire et causer du bruit ou des perturbations de lecture.



Fabriqué sous licence de Dolby Laboratories. "Dolby", "Pro Logic" et le symbole double-D sont des marques commerciales de Dolby Laboratories. Travail non publié confidentiel.

© 1992-1997 Dolby Laboratories, Inc. Tous droits réservés.



Fabriqué sous licence de Digital Theater Systems, Inc. Brevet n° 5.451.942 aux Etats-Unis et autres brevets publiés et en cours d'établissement. Les logos "DTS", "DTS Digital Surround", sont des marques commerciales de Digital Theater Systems, Inc., droits d'auteur 1996 de Digital Theater Systems, inc. Tous droits réservés.

Configuration du système

Ce système incorpore une unité d'amplification, cinq enceintes satellite et un subwoofer.

Les trois enceintes satellite avec câble de 3 m sont utilisées comme enceintes avant et centrale.

Les deux enceintes satellite avec câble de 7 m sont utilisées comme enceintes surround.

Rôle des enceintes respectives

Les enceintes avant sont utilisées pour reproduire le son du canal principal. Les enceintes surround sont utilisées pour les sons d'effet et l'enceinte centrale pour le son du canal central (dialogue, etc.).

Le subwoofer est utilisé pour reproduire les sons basse fréquence à partir des canaux avant, central et surround. Le subwoofer reproduit aussi les sons du canal subwoofer lorsqu'une source codée en DTS ou Dolby Digital est jouée.

Emplacement recommandé des enceintes

Avant d'effectuer les raccordements, bien placer toutes les enceintes à leurs positions respectives. Le bon positionnement des enceintes est important, car de lui dépend la bonne qualité sonore du système tout entier. Placer les enceintes par rapport à la position d'écoute en suivant les instructions ci-dessous.

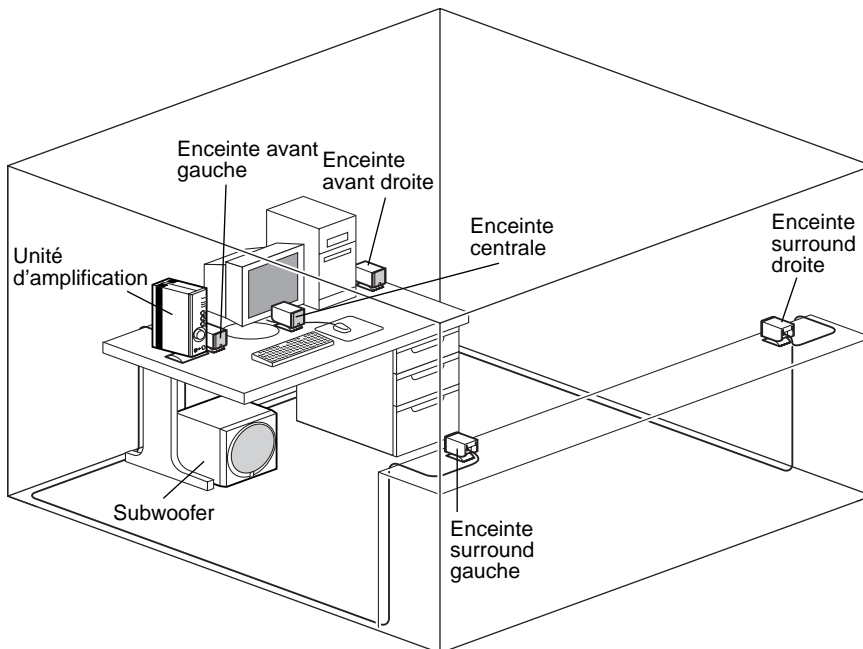
* Les enceintes satellite peuvent être accrochées au mur (Se reporter à la page suivante.).

Enceintes avant : De chaque côté du système et environ à la même hauteur que la télévision (ou moniteur d'ordinateur).

Enceinte surround : Derrière votre position d'écoute ou sur les deux côtés de la pièce d'écoute.

Enceinte centrale : Précisément entre les enceintes avant.
* L'enceinte centrale peut être installée sur le moniteur comme illustré sur la page suivante.

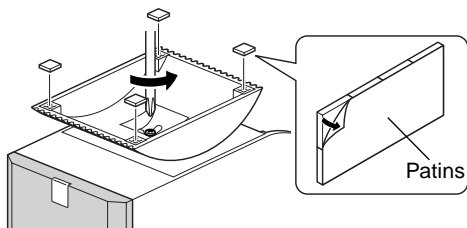
Subwoofer : Par terre. La position du subwoofer n'est pas très importante, car les sons de basse fréquence ne sont pas très directionnels.



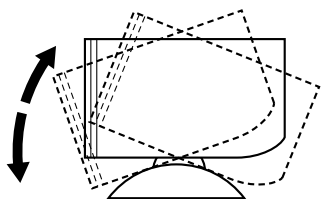
■ Réglage de l'angle avant des enceintes satellite

L'angle avant des enceintes satellite peut être réglé comme illustré ci-dessous.

- 1 Desserrez la vis en dessous du support d'enceinte.
 - * Placez les patins antidérapants fournis aux quatre coins au dessous du support afin d'accroître la stabilité.



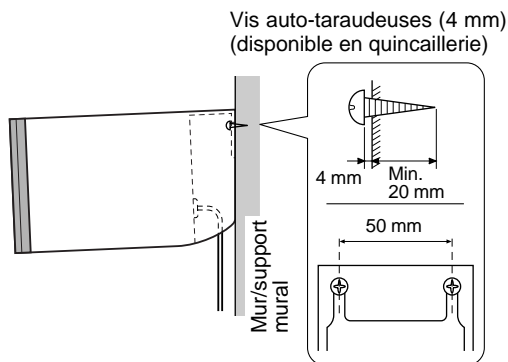
- 2 Faites glisser l'enceinte sur le support à votre convenance puis serrez alors la vis.



■ Montage des enceintes satellite au mur.

Les enceintes satellite peuvent aussi être accrochées au mur. Fixer les vis dans un mur solide ou un support mural comme indiqué sur l'illustration et accrochez-les par les fentes à l'arrière sur les vis dépassant du mur.

- * Assurez-vous que les vis soient bien engagées dans les fentes.



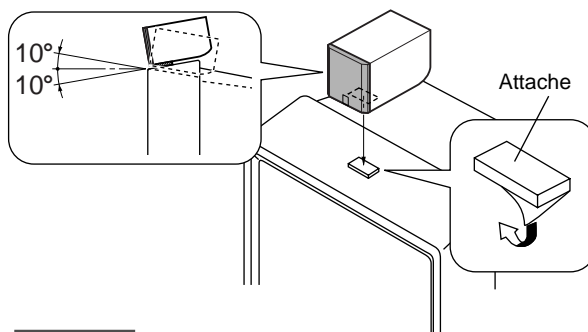
Avertissement

- Chaque enceinte pèse 0,4 kg. Ne pas les monter sur du contreplaqué mince ou un mur mou. Sinon, les vis pourraient ressortir d'une surface trop mince, provoquant la chute des enceintes. Ceci risquerait d'endommager les enceintes ou de provoquer des blessures corporelles.
- Ne pas fixer les enceintes à un mur à l'aide de clous, d'adhésif ou autre matériau instable. A la longue, l'usure et les vibrations pourraient provoquer leur chute.
- Afin d'éviter tout accident provoqué par des cordons d'enceinte traînant, veillez les fixer au mur.

■ Mise en place d'une enceinte centrale sur le moniteur

Lors de l'installation d'une enceinte centrale sur le moniteur, retirez le pied de l'enceinte puis placez la fixation fournie sous l'enceinte et sur le moniteur pour empêcher celle-ci de tomber.

- * Ne pas installer d'enceinte sur le moniteur si sa surface supérieure est inclinée de plus de 10°.



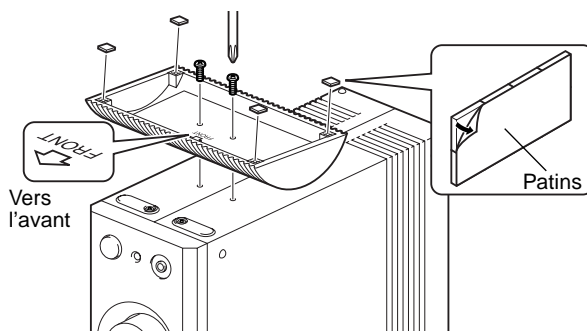
Remarque

Bien que de type à blindage antimagnétique, cette enceinte peut avoir une influence sur l'image de certains moniteurs et selon l'emplacement de l'enceinte. Dans un tel cas, éloignez l'enceinte du moniteur jusqu'à ce que l'image de ce dernier ne subisse plus d'influence.

■ Montage de l'unité d'amplification sur le pied fourni

Pour obtenir une bonne stabilité, il est recommandé de monter l'unité d'amplification sur le pied fourni avec les vis comme illustré ci-dessous.

- * Placez les patins antidérapants fournis aux quatre coins du dessous du support pour accroître la stabilité.



Connexions

(Voir figure 1 à l'intérieur du couvercle avant.)

Attention: Ne branchez l'unité d'amplification et autres équipements sur le secteur qu'après avoir effectué tous les raccordements.

A : Connectez trois enceintes satellite avec câbles de 3 m aux bornes **FRONT L, R** et **CENTER**. Connectez deux enceintes satellite avec câbles de 7 m aux bornes **SURROUND L, R**. Connectez le subwoofer à la borne **SUBWOOFER**.

B : Connectez toutes les unités audio/vidéo externes (un ordinateur personnel, une console de jeu vidéo, un lecteur portable DVD/CD, un magnétoscope à cassettes, etc. qui émettent des signaux de lecture à ce système) à ces bornes.

Mise en garde

- Lors de l'installation de l'adaptateur secteur fourni sur le pupitre, etc., assurez-vous de fixer l'adaptateur sur le pupitre, etc. afin qu'il ne tombe pas. Si cet adaptateur tombe, il risque de causer une blessure corporelle, d'être endommagé ou d'endommager d'autres équipements.
- Les bornes **SPEAKER OUTPUT** à l'arrière de l'unité d'amplification sont uniquement destinées au raccordement des enceintes fournies. Ne jamais raccorder ces bornes à un amplificateur AV ou de puissance car cela risquerait de causer des dysfonctionnements du système ou même de l'endommager.

Commandes & connecteurs

(Voir figure 2 à l'intérieur du couvercle avant.)

1 Touche de sélection d'entrée INPUT et indicateurs

Appuyez sur cette touche à répétition pour sélectionner un mode d'entrée entre **DIGITAL**, **4CH** et **2CH**. Le mode actif est indiqué par l'allumage de l'indicateur correspondant.

DIGITAL :

Sélectionnez ce mode pour reproduire les signaux reçus à la borne **OPTICAL** ou **COAXIAL** de la face arrière. Lorsque les deux bornes **OPTICAL** et **COAXIAL** reçoivent des signaux, les signaux de la borne **OPTICAL** sont sélectionnés.

4CH :

Sélectionnez ce mode pour reproduire les signaux reçus à la borne analogique **FRONT** et **SURROUND** de la face arrière durant le mode 4-voies surround sound. (l'enceinte centrale n'est pas utilisée dans ce mode).

2CH :

Sélectionnez ce mode pour reproduire les signaux reçus à la borne **FRONT** de la face arrière. (Le mode **PROLOGIC** surround peut être utilisé dans ce mode.)

2 Touche de sélection de MODE et indicateurs

Appuyez sur cette touche à plusieurs reprises pour sélectionner le mode surround souhaité entre **DTS**, **DIGITAL**, **PROLOGIC** et **off**. Le mode actif est indiqué par l'allumage de l'indicateur correspondant. Lorsqu'aucun mode n'est sélectionné, aucun indicateur ne s'allume.

* Si un signal codé en DTS ou Dolby Digital est envoyé en entrée alors que le mode surround est désactivé, l'indicateur correspondant s'allume faiblement.

DTS :

Sélectionnez ce mode pour reproduire une source d'entrée codée en DTS.

Ce mode ne peut être sélectionné que lorsque le signal d'entrée est codé en DTS et que le mode d'entrée est réglé sur **DIGITAL**.

DIGITAL :

Sélectionnez ce mode pour reproduire une source d'entrée codée en Dolby Digital.

Ce mode ne peut être sélectionné que lorsque le signal d'entrée est codé en Dolby Digital et que le mode d'entrée est réglé sur **DIGITAL**.

PROLOGIC :

Sélectionnez ce mode pour reproduire une source d'entrée codée en Dolby Prologic.

Ce mode ne peut être sélectionné lorsque le mode d'entrée est réglé sur **4CH**.

3 Touche TEST

Appuyez sur cette touche pour produire une tonalité de test par les enceintes. Une tonalité de test est reproduite par chaque enceinte comme ci-dessous. Cette tonalité de test est utilisée pour régler la balance de volume entre toutes les enceintes.

FRONT L → CENTER → FRONT R
↑ SURROUND L ← SURROUND R ↓

* Seules certaines enceintes produisent la tonalité de test, suivant le réglage du sélecteur de mode d'enceinte **SPEAKER MODE** (13).

4 Touche MUTE et indicateur

Appuyez sur cette touche pour couper le son temporairement. Lorsque cette fonction est active, l'indicateur s'allume. Appuyez à nouveau sur cette touche pour rétablir le son.

* Le son se rétablit aussi en passant du mode veille au mode marche ou en changeant de mode d'entrée ou surround.

5 Commande de niveau CENTER

Cette commande est utilisée pour régler le niveau du son reproduit par l'enceinte centrale. Tournez cette commande dans le sens horaire pour augmenter le niveau et dans le sens anti-horaire pour diminuer le niveau.

6 Commande de niveau SURROUND

Cette commande est utilisée pour régler le niveau du son reproduit par les enceintes surround. Tournez cette commande dans le sens horaire pour augmenter le niveau et dans le sens anti-horaire pour diminuer le niveau.

7 Commande de niveau SUBWOOFER

Cette commande est utilisée pour régler le niveau du son reproduit par le subwoofer. Tournez cette commande dans le sens horaire pour augmenter le niveau et dans le sens anti-horaire pour diminuer le niveau.

8 Commande de volume principale MASTER VOLUME

Cette commande est utilisée pour régler le niveau de volume général de ce système. Tournez cette commande dans le sens horaire pour augmenter le niveau et dans le sens anti-horaire pour diminuer le niveau.

9 Prise de casque

Un casque stéréo peut être connecté à ce mini-jack pour une écoute discrète. La sortie son vers les enceintes est coupée lorsqu'un casque est connecté à ce jack.

Les sons de tous les canaux sont mélangés en 2 canaux et reproduits par le casque.

10 Indicateur d'alimentation

S'allume lorsque l'alimentation de ce système est active.

11 Interrupteur d'alimentation

Chaque pression sur cette interrupteur change l'état de ce système entre les mode veille et marche. Lorsque l'alimentation est active, l'indicateur d'alimentation (10) s'allume.

* Veuillez noter que ce système consomme très peu d'énergie en mode veille.

12 SORTIES ENCEINTES**FRONT :**

Connectez une enceinte satellite avec câble de 3 m à la borne L et une autre à la borne R. Celles-ci sont utilisées comme enceintes avant.

SURROUND :

Connectez une enceinte satellite avec câble de 7 m à la borne L et une autre à la borne R. Celles-ci sont utilisées comme enceintes surround.

CENTER :

Connectez une enceinte satellite avec câble de 3 m à cette borne. Celle-ci est utilisée comme enceinte centrale.

S. WOOFER:

Connectez le subwoofer à cette borne.

13 Sélecteur de mode d'enceintes SPEAKER MODE

Normalement, réglez ce sélecteur sur **5CH**. Réglez ce sélecteur sur une autre position, à votre convenance.

5CH :

Toutes les enceintes sont utilisées dans ce mode.

4CH :

Sélectionnez cette position lorsque vous ne souhaitez pas utiliser l'enceinte centrale. Dans ce mode, le son central est reproduit par les enceintes avant gauche et droite.

2CH :

Sélectionnez cette position lorsque vous ne souhaitez pas utiliser l'enceinte centrale. Dans ce mode, les sons de tous les canaux sont mélangés et reproduits par les enceintes avant gauche et droite et restituent virtuellement un son surround. [Les enceintes surround reproduisent les mêmes sons que les enceintes avant (mis à part la tonalité de test).]

14 Connecteur DC IN (Entrée CC)

Connectez l'adaptateur CA fourni à ce connecteur.

15 Entrées numériques DIGITAL INPUTS

Les unités externes possédant des bornes de sortie de signal numérique peuvent être connectés à ces bornes.

Les signaux d'entrée reçus à la borne **OPTICAL** ont la priorité sur les signaux de la borne **COAXIAL**.

OPTICAL :

Connectez une unité externe (un lecteur DVD/CD, un enregistreur MD, une console de jeux vidéos, etc.) possédant une borne de sortie optique numérique à cette borne en utilisant le câble optique fourni.

COAXIAL :

Connectez une unité externe (un lecteur DVD/CD, un enregistreur MD, une console de jeux vidéos, etc.) possédant une borne de sortie coaxiale numérique à cette borne en utilisant le câble avec jack RCA fourni.

16 Entrée analogique ANALOG INPUTS

Connectez les bornes de sortie de signal analogique d'une unité externe à ces bornes mini-jack en utilisant les câbles à mini-jack ou des câbles fiche/mini-jack disponibles dans le commerce.

AVANT :

Connectez la borne de sortie de signal (stéréo) analogique d'une unité externe à cette borne en utilisant le câble à mini-jack fourni. Lorsque vous connectez une carte son sur un ordinateur possédant des bornes de sortie à quatre canaux, connectez la borne de sortie du canal avant de la carte son à cette borne.

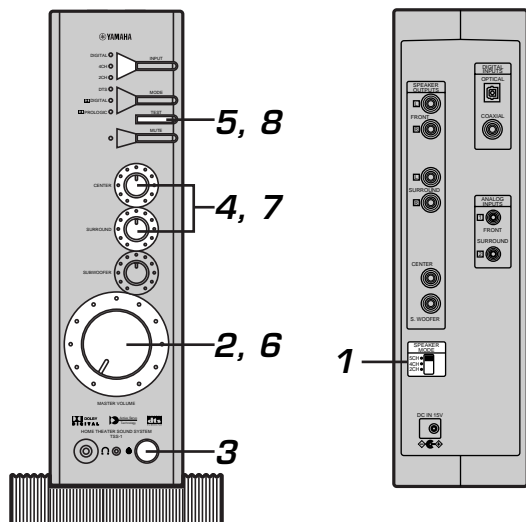
SURROUND :

Lorsque vous connectez une carte son sur un ordinateur possédant des bornes de sortie à quatre canaux, connectez la borne de sortie du canal arrière de la carte son à cette borne.

Réglage de la balance des enceintes

Cette procédure vous laisse régler la balance de niveau de sortie son entre les enceintes avant, centrale, surround et subwoofer en utilisant le générateur de tonalité de test intégré. Effectuez ce réglage de façon à ce que le niveau de chaque sortie d'enceinte soit le même depuis la position d'écoute. Ceci est très important pour obtenir les meilleures performances des décodeurs DTS et Dolby Digital intégrés.

* Une fois que vous avez terminé ce réglage, vous pouvez régler le niveau de volume général de ce système en utilisant seulement la commande de volume général **MASTER VOLUME**.



1 Réglez le sélecteur de mode d'enceinte **SPEAKER MODE** sur "5CH" s'il est réglé sur une autre position.

2 Tournez la commande **MASTER VOLUME** complètement dans le sens contraire des aiguilles d'une montre pour diminuer le volume au minimum.

3 Mettez le système en marche.

4 Placez les commandes de niveau **CENTER** et **SURROUND** en position centrale.



5 Appuyer sur la touche **TEST**.

6 Réglez le volume général au niveau souhaité.

* Vous entendrez une tonalité de test (comme un bruit rose) provenant de chaque enceinte pendant environ deux secondes dans la séquence suivante.

FRONT L → CENTER → FRONT R
 ↑ SURROUND L ← SURROUND R ←

7 Réglez les commandes de niveau **CENTER** et **SURROUND** tout en écoutant une série de tonalités de test pour que leur niveau soit pratiquement le même que le niveau des enceintes avant.

* Réglez la balance de volume droite/gauche des enceintes avant et surround en changeant l'emplacement de chaque enceinte.

8 Lorsque le réglage est terminé, appuyer sur la touche **TEST**.

* Les tonalités de test s'arrêtent.

Remarques

• Lorsque le sélecteur de mode d'enceinte **SPEAKER MODE** est réglé sur "4CH" :

La tonalité de test pour le canal central est reproduite par les deux enceintes avant gauche et droite en même temps.

Lorsque le sélecteur de mode d'enceinte **SPEAKER MODE** est réglé sur "2CH" :

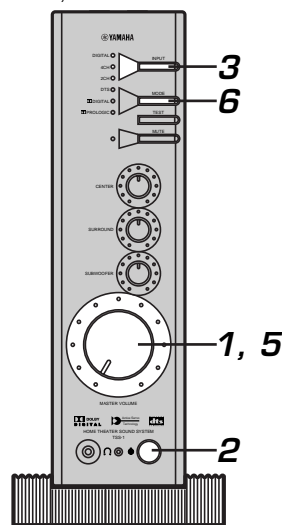
Les tonalités de test pour les canaux surround gauche et droite sont reproduites respectivement par les enceintes avant gauche et droite. L'ordre d'émission des tonalités de test est comme suit.

FRONT L → VIRTUAL SURROUND L → FRONT R
 (SURROUND VIRTUEL G)
 VIRTUAL SURROUND R ←
 (SURROUND VIRTUEL D)

• Réglez le volume du subwoofer tout en écoutant les sons reproduits d'une source.

Lecture d'une source

Cette section explique comment mettre ce système sous tension et sélectionner les sources d'entrée. Avant de mettre ce système sous tension, activez l'unité audio externe à utiliser.



1 Tournez la commande **MASTER VOLUME** complètement dans le sens contraire des aiguilles d'une montre pour diminuer le volume au minimum.

2 Mettez ce système en marche.

3 Sélectionnez le mode d'entrée approprié en appuyant sur la touche de sélection d'entrée **INPUT**.

* L'indicateur du mode d'entrée sélectionnée s'allume.

* Veuillez vous référer à la section "Commandes & connecteurs", page 6, pour plus de détails sur les modes d'entrée.

4 Lancez la lecture de la source sur l'unité externe.

5 Réglez le volume au niveau souhaité.

6 Si vous préférez, sélectionnez un mode surround.

* Veuillez vous référer à la section "Commandes & connecteurs", page 6, pour plus de détails sur les modes surround.

Résolution des problèmes

Consultez le tableau ci-dessous lorsque le système ne fonctionne pas correctement. Si le problème que présente votre système n'est pas dans la liste ci-dessous ou les instructions données se révèlent inefficaces, débranchez l'adaptateur secteur et contactez votre revendeur ou le SAV agréé YAMAHA.

Problème	Cause	Solution proposée
Les enceintes et le subwoofer restent muets.	L'adaptateur secteur n'est pas correctement enfoncé dans la prise du secteur.	Branchez correctement l'adaptateur secteur à la prise secteur.
	L'interrupteur de l'unité d'amplification est en position de mode de veille.	Mettez sous tension en appuyant sur l'interrupteur d'alimentation (le voyant d'alimentation s'allume).
	Connexions mauvaises ou incomplètes.	Faites la connexion de nouveau.
	Le mode d'entrée approprié n'est pas sélectionné.	Sélectionnez le mode d'entrée approprié en appuyant sur la touche de sélection d'entrée INPUT.
	Le réglage du volume est trop bas.	Tournez la commande MASTER VOLUME dans le sens des aiguilles d'une montre pour augmenter le volume.
	La fonction MUTE est active. (l'indicateur sur le côté gauche de la touche MUTE est allumé.)	Appuyer sur la touche MUTE pour annuler cette fonction.
Aucun son n'est émis par les enceintes surround	La commande de niveau SURROUND est réglée au minimum.	Tournez la commande de niveau SURROUND dans le sens des aiguilles d'une montre pour augmenter le niveau.
	Le mode surround n'est pas activé.	Sélectionnez le mode surround approprié en appuyant sur la touche de sélection de MODE. Si aucun mode ne peut être sélectionné, changez pour une source d'entrée codée en DTS, Dolby Digital ou Dolby Prologic.
Aucun son n'est émis par l'enceinte centrale	La commande de niveau CENTER est réglée au minimum.	Tournez la commande de niveau CENTER dans le sens des aiguilles d'une montre pour augmenter le niveau.
	Le sélecteur de mode SPEAKER MODE sur la face arrière de l'unité d'amplification est réglé sur "2CH" ou "4CH".	Réglez le sélecteur de mode d'enceinte SPEAKER MODE sur "5CH" :
	Le mode surround n'est pas activé.	Sélectionnez le mode surround approprié en appuyant sur la touche de sélection de MODE. Si aucun mode ne peut être sélectionné, changez pour une source d'entrée codée en DTS, Dolby Digital ou Dolby Prologic.
Aucun son n'est émis par les enceintes centrale et surround bien que l'indicateur de mode DTS ou DIGITAL est faiblement allumé.	Une illumination faible d'un indicateur signifie que des signaux codés avec le format correspondant (DTS ou Dolby Digital) sont envoyés à ce système. Dans ce cas, les signaux sont mélangés en 2 canaux et reproduits par les enceintes avant uniquement.	Appuyer sur la touche de sélection MODE pour sélectionner le format surround approprié. L'indicateur s'illumine et les enceintes centrale et surround reproduisent les sons puisque le format surround est décodé.
Même si une source codée en Dolby Digital est introduite à ce système, l'indicateur de mode DIGITAL est faiblement illuminé et l'indicateur de mode PROLOGIC est fortement illuminé.	Une source codée en Dolby Digital à 2 voies est introduite à ce système.	Si la source d'entrée est compatible avec 5,1 channels, sélectionnez "5,1-channel mode" sur le lecteur qui envoie des signaux à ce système. (Si la source d'entrée n'est pas compatible avec 5,1 channels, vous pouvez écouter la source en mode multi-voies en utilisant le mode surround PROLOGIC.)
Le son est déformé.	Le niveau du signal d'entrée est trop haut.	Diminuez le volume de l'appareil externe.
Bruit.	Le niveau du signal en entrée est trop bas.	Augmentez le volume de l'appareil externe.
	Connexions mauvaises ou incomplètes.	Faites la connexion de nouveau.
	L'unité d'amplification est trop près du moniteur.	Eloignez l'unité d'amplification du moniteur.

Fiche technique

Unité d'amplification

Sortie Puissance par canal

..... Satellite : 6 W (1 kHz, 4 Ω, 10% THD)
..... Subwoofer: 18 W (100 Hz, 4 Ω, 10% THD)

Sensibilité d'entrée 200 mV

Niveau de sortie/Impédance de sortie de la prise casque

..... 450 mV/30 Ω (1 kHz, 200 mV)

Réponse en fréquence 40 Hz–20 kHz

Dimensions (L x H x P) 113 mm x 272 mm x 206 mm

Poids 1,5 kg

Enceinte satellite

Type Enceinte à gamme intégrale
..... Type à blindage magnétique

Entraînement 5 cm de type à cône en épécéa

Impédance 4 Ω

Dimensions (L x H x P) 70 mm x 95 mm x 118 mm

Poids 0,4 kg

Subwoofer

Type de système de subwoofer à traitement servo actif

Driver 13 cm de type cône à woofer
..... Type à blindage magnétique

Impédance 4 Ω

Dimensions (L x H x P) 220 mm x 224 mm x 222 mm

Poids 3,4 kg

Accessoires

Adaptateur secteur (PA-SR601) x 1
Câble avec mini jack stéréo (1,8 m) x 2
Câble à fibre optique (1,0 m) x 1
Câble avec jack RCA (1,8 m) x 1
Pied pour unité d'amplification x 1
Vis x 2
Patins x 24
Fixation x1

* Veuillez noter que toutes les caractéristiques techniques sont modifiables sans préavis.

Vorsichtsmaßnahmen

Bitte lesen Sie die folgenden Sicherheitshinweise vor der Inbetriebnahme. YAMAHA kann für etwaige Schäden und/oder Verletzungen, die durch Nichtbeachtung der folgenden Sicherheitshinweise entstehen, nicht haftbar gemacht werden.

- Wenn Sie das Netzteil von der Netzsteckdose trennen, ziehen Sie am Stecker und nicht am Kabel.
- Wenn Sie dieses System eine Zeitlang nicht nutzen wollen, ziehen Sie das Netzteil aus der Steckdose heraus.
- Lösen Sie vor Herstellen der Audioverbindungen immer das Netzteil.
- Dieses System enthält keine vom Bediener zu wartenden Teile. Überlassen Sie alle diesbezüglichen Arbeiten dem Yamaha-Kundendienst.
- **Öffnen Sie niemals das Gehäuse.** Wenn ein Fremdkörper in das Gerät fällt, wenden Sie sich an Ihren Händler und stellen Sie den Betrieb dieses Gerätes ein. Anderenfalls kann ein Brand verursacht werden.
- Setzen Sie dieses System keinen extremen Temperaturen, direkter Sonneneinstrahlung, übermäßigem Staub, Feuchtigkeit oder Stößen aus.
- Stellen Sie dieses System auf einem ebenen, stabilen Untergrund auf. Behandeln Sie die Bedienelemente mit der gebührenden Umsicht. Stellen Sie keine schweren Gegenstände auf die Boxen.
- Legen Sie keine kleinen Metallteile auf dieses System. Diese könnten nämlich herunterfallen und Verletzungen verursachen.
- Weil in der Verstärker-Einheit ein eingebauter Leistungsverstärker integriert ist, wird entstehende Wärme durch die Lüftungsschlitze abgeführt. Platzieren Sie die Verstärker-Einheit etwas von der Wand entfernt und lassen Sie mindestens 20 cm oben, 10 cm hinten und an beiden Seiten der Verstärker-Einheit Platz.
Das Gerät darf auch nicht mit der Rückwand nach unten oder gegen andere Oberflächen gestellt werden, und bedecken Sie die Verstärker-Einheit nicht mit einer Zeitung, einer Tischdecke, einem Vorhang, usw., damit die Wärmeabstrahlung nicht blockiert wird.
Wenn die Temperatur im Inneren der Verstärker-Einheit ansteigt, kann möglicherweise ein Brand, ein Schaden an der Verstärker-Einheit und/oder Personenschäden verursacht werden.
- Folgende Gegenstände nicht auf dieses System stellen:
Glas, Porzellan, usw.
Wenn Glas, usw. aufgrund von Vibrationen herunterfällt und zerbricht, können möglicherweise Personenschäden verursacht werden.
Eine brennende Kerze, usw.
Wenn eine Kerze aufgrund von Vibrationen herunterfällt, kann möglicherweise ein Brand und Personenschäden verursacht werden.
Ein Gefäß mit Wasser
Wenn ein Gefäß mit Wasser aufgrund von Vibrationen herunterfällt und Wasser läuft aus, kann möglicherweise dieses System beschädigt werden und/oder Sie können einen elektrischen Schlag bekommen.
- Um dieses System zu schonen, sollten Sie Mikrofonrückkopplung, langfristigen Betrieb bei Höchstleistung, einen überhöhten Eingangspegel von elektronischen Musikinstrumenten sowie starke Übersteuerung vermeiden.

- Beim Einsatz dieses Systems in der Nähe von Monitoren, Leuchtröhren oder Neonlampen kann es zu einer Brummschleife kommen. Stellen Sie dieses System dann etwas weiter entfernt auf.
- Obwohl dieses System magnetisch abgeschirmt ist, sollten Sie keine Disketten oder Kassetten darauf oder in die unmittelbare Nähe legen.
- Vermeiden Sie Brummquellen (Transformatoren, Motoren). Um Stromschläge zu vermeiden, sollten Sie die Boxen niemals Feuchtigkeit aussetzen.
- Schalter, Knöpfe oder Kabel nicht mit Gewalt handhaben. Wenn Sie dieses System bewegen, schalten Sie zuerst die Stromversorgung aus, trennen Sie dann das Netzteil von der Netzsteckdose und die Kabel von den angeschlossenen Geräten.
- Stellen Sie den MASTER VOLUME-Regler ganz nach links, bevor Sie beginnen, die Audioquelle abzuspielen. Drehen Sie den Regler langsam, nachdem die Wiedergabe gestartet worden ist.
- **Vergewissern Sie sich, dass Sie das mit diesem System mitgelieferte Netzteil (PA-SR601) verwenden. Anderenfalls wird möglicherweise ein Brand verursacht oder das System beschädigt werden.**

Bereitschaftsmodus

Wenn dieses System ausgeschaltet wird, indem der Netzschalter gedrückt wird, verbraucht es weniger Strom. Dieser Status wird Bereitschaftsmodus genannt. Die Stromversorgung wird nur dann vollständig ausgeschaltet, wenn das Netzteil abgetrennt ist.

Dieses System besitzt ein magnetisch abgeschirmtes Design, es kann jedoch vorkommen, dass die Bildfarbe beeinträchtigt wird, wenn es zu nahe an einen Fernseher oder einen Computermonitor gestellt wird. Sollte dies geschehen, stellen Sie das System weit genug entfernt vom Fernseher oder Computermonitor auf.

Inhalt

Vorsichtsmaßnahmen	1	Regler & Anschlüsse	6
Auspacken	2	Einstellen der Lautsprecherbalance	8
Hauptmerkmale	2	Wiedergabe einer Quelle	8
Aufstellen der Lautsprecher	4	Fehlersuche	9
Anschlüsse	6	Technische Daten	10

Auspacken

Nach dem Auspacken prüfen, ob die folgende Teile mitgeliefert wurden.

- **Verstärker-Einheit**
- **Satellitenlautsprecher × 5**
 - Satellitenlautsprecher mit einem 3 m langen Kabel × 3
 - Satellitenlautsprecher mit einem 7 m langen Kabel × 2
- **Subwoofer**
- **Zubehör**
 - Netzteil (PA-SR601) × 1
 - Stereo-Ministeckerkabel × 2
 - Lichtleitfaserkabel × 1
 - RCA-Stifteckerkabel × 1
 - Gestell für die Verstärker-Einheit × 1
 - Schraube × 2
 - Unterlage × 24
 - Befestigung × 1

Hauptmerkmale

Mehrkanal-Surroundsystem für Heimkino, Game Amusement und PC DVD.

- **Kombination von Verstärker-Einheit, fünf Satellitenlautsprechern und Subwoofer**
- **Dolby Digital und DTS-Decoder**
(Siehe nächste Seite.)
- **5.1-Kanal-Vollaussteuerungssystem für DVD Movie Entertainment**
- **5.1-Kan.- Vollaussteuerungs-, 4.1-Kan.- (Game Surround) und Stereo- (Virtual Surround) Lautsprechermodi**
- **Yamaha's Exclusive Active Servo Technology für leistungsstarken Bass**
- **1 Optik- und 1 Koaxial-Digitaleingangsanschluss**
- **Zwei Analog-Eingangsanschlüsse (vorderer/ hinterer Kanal)**
- **Prüfnton-Generator für exakte Lautsprecher-Einstellungen**

Willkommen in der aufregenden Welt des digitalen Home Entertainment.

Das TSS-1 ist ein kompaktes, dafür aber ein komplettes und hochentwickeltes Heimkino-Soundsystem, das Sie in die aufregende Welt des Digital Surround Sound Entertainments entführt. Möglicherweise sind Ihnen einige der hochentwickeltesten Hauptmerkmale dieses Systems neu, dennoch sind sie einfach zu bedienen. Integrierte State-of-Art-Technologie, wie Dolby Digital und DTS, kann Ihnen zu Hause das gleiche Audio-Erlebnis beschern, wie es Ihnen weltweit aus guten Kinos bekannt ist. Nehmen Sie sich jetzt Zeit und lesen Sie mehr zum Thema Hauptmerkmale und genießen Sie die neuen Erlebnisse, die dieses System Ihnen bringt.

■ Dolby Surround

Dolby Surround verwendet 4 diskrete Kanäle und 5 Lautsprecher, um realistische und dynamische Klangeffekte zu erzeugen: 2 Hauptkanäle (links und rechts), einen Mittenkanal für die Dialoge, und einen hinteren Kanal für spezielle Klangeffekte. Der hintere Kanal gibt den Ton in einem schmalen Frequenzbereich wieder. Die meisten Videobänder und Laserdisks enthalten Dolby Surround-Codierung; das gleiche gilt auch für viele Fernsehprogramme und Kabelsendungen. Der in diesem Gerät eingebaute Dolby Pro Logic-Decoder verwendet ein Digitalsignal-Verarbeitungssystem, das jeden Kanal stabilisiert, um eine noch präzisere Klangpositionierung zu erzielen, als dies mit herkömmlichen analogen Prozessoren möglich ist.

■ Dolby Digital *

Dolby Digital ist ein digitales Surround-System für eine vollständig unabhängige Mehrkanal-Tonwiedergabe. Dolby Digital bietet fünf separate Kanäle, was manchmal auch als „3/2“-Konfiguration bezeichnet wird: drei Frontkanäle (links, Mitte, rechts) und zwei Surround-Kanäle. Ein sechster Baßeffekt-Kanal für Niederfrequenzeffekte (LFE) ist ebenfalls vorhanden, der unabhängig von den anderen Kanälen ist. (Dieser Kanal wird als LFE-Kanal bezeichnet.) Dieser Kanal wird als 0.1 gezählt, so daß insgesamt von 5.1 Kanälen gesprochen wird. Die große Dynamik, die durch die fünf Wiedergabekanäle ermöglicht wird, und die präzise Ortbarkeit durch digitale Tonverarbeitung garantieren einen besonderen Realismus für ein vollkommen neues Tonerlebnis.

■ DTS (Digital Theater System) Digital Surround **

Das DTS-System wurde dazu entwickelt, die analogen Tonspuren von Filmen durch digitale Tonspuren mit sechs diskreten Kanälen zu ersetzen. Viele Kinos in der ganzen Welt sind mit diesem System ausgerüstet. Mit den sechs diskreten Kanälen bietet dieses System eine hervorragende Tonwiedergabe für eine ganz neue Erfahrung. Eine ausgedehnte Forschung und Entwicklung ermöglichte es, diese DTS-Technik mit einer ähnlichen Codierung/Decodierung auch für die Raumklangwiedergabe zu Hause anwenden zu können. DTS Digital Surround ist eine Codierung/Decodierung für sechs Kanäle in Originalqualität mit 20-Bit-Audio. Technisch wird von 5.1 Kanälen gesprochen, d. h. 5 Vollbereichskanäle (links, Mitte, rechts und zwei Surround-Kanäle) und ein Subwoofer-Kanal (LFE), der als „0.1“ bezeichnet wird.

Dieses System läßt sich für die 5.1-Lautsprecherkonfiguration anwenden, die zur Zeit für die Heimsysteme zur Verfügung stehen.

Hinweise

- Wenn eine normale CD mit diesem System abgespielt wird und danach erfolgt die Wiedergabe einer mit DTS kodierten CD oder LD, sind möglicherweise einige Betriebssysteme, wie beispielsweise das Rücksetzen der Eingangsmodi, erforderlich.
- Auch wenn der Anschluss an dieses System mit einem Digitalanschluss erfolgt, ist es dennoch möglich, dass einige CD-, LD- und DVD-Player das System daran hindern, DTS zu dekodieren und somit Rauschen verursachen. Dies geschieht, wenn bestimmte von solch einem Player bearbeiteten Digitalausgangsdaten in DTS-kodierten Datenfehlern resultieren, die eine fehlerhafte Wiedergabe verursachen, obwohl die gleichen bearbeiteten Daten nur eine kleine Änderung im Volumen oder im Frequenzgang im normalen Digitalton aufweisen.
- Wenn während der Wiedergabe einer mit DTS kodierten LD oder CD ein Fehler in den Digitalausgangsdaten des Players auftritt, wird die Wiedergabe möglicherweise unterbrochen. Wenn dies geschieht, stoppen Sie die Wiedergabe und schalten Sie die Stromversorgung des Players wieder ein.
- Wenn digitale Tonsignale vom Computer wiedergegeben werden, treten möglicherweise Fehler in WAVE-Signalen, usw. auf, die Rauschen oder eine fehlerhafte Wiedergabe verursachen.



Hergestellt unter Lizenz von Dolby Laboratories. „Dolby“, „Pro Logic“ und das Doppel-D-Symbol sind Warenzeichen von Dolby Laboratories: Vertrauliche, unveröffentlichte Werke. ©1992-1997 Dolby Laboratories, Inc. Alle Rechte vorbehalten.



Hergestellt unter Lizenz von Digital Theater Systems, Inc., geschützt durch das US Patent 5 451 942 und weitere weltweit erteilte oder angemeldete Patente. „DTS“ und „DTS Digital Surround“ sind geschützte Warenzeichen von Digital Theater Systems Inc. Copyright 1996 Digital Theater Systems Inc. Alle Rechte vorbehalten.

Aufstellen der Lautsprecher

Systemkonfiguration

Dieses System besteht aus einer Verstärker-Einheit, fünf Satellitenlautsprechern und einem Subwoofer. Die drei Satellitenlautsprecher mit dem 3 m langen Kabel dienen als Frontlautsprecher und als Centerlautsprecher. Die zwei Satellitenlautsprecher mit dem 7 m langen Kabel dienen als Surroundlautsprecher.

Funktion der jeweiligen Lautsprecher

Die Frontlautsprecher reproduzieren den Hauptkanalton. Über die Surroundlautsprecher werden die Klangeffekte und über den Centerlautsprecher wird der Centerkanalton, wie Dialog usw. wiedergegeben.

Der Subwoofer reproduziert den Niederfrequenzton der Front-, Mittel- und Surroundkanäle. Der Subwoofer reproduziert ebenfalls die Töne des Subwooferkanals, wenn eine mit DTS oder Dolby Digital dekodierte Quelle wiedergegeben wird.

Empfohlener Aufstellungsort der Lautsprecher

Vor dem Anschließen müssen die Lautsprecher an den richtigen Orten aufgestellt werden. Das Aufstellen der Lautsprecher ist besonders wichtig, weil es die Grundlage für die gesamte Klangwirkung darstellt.

Stellen Sie die Lautsprecher basierend auf der bevorzugten Hörposition entsprechend den nachstehenden Anleitungen auf.

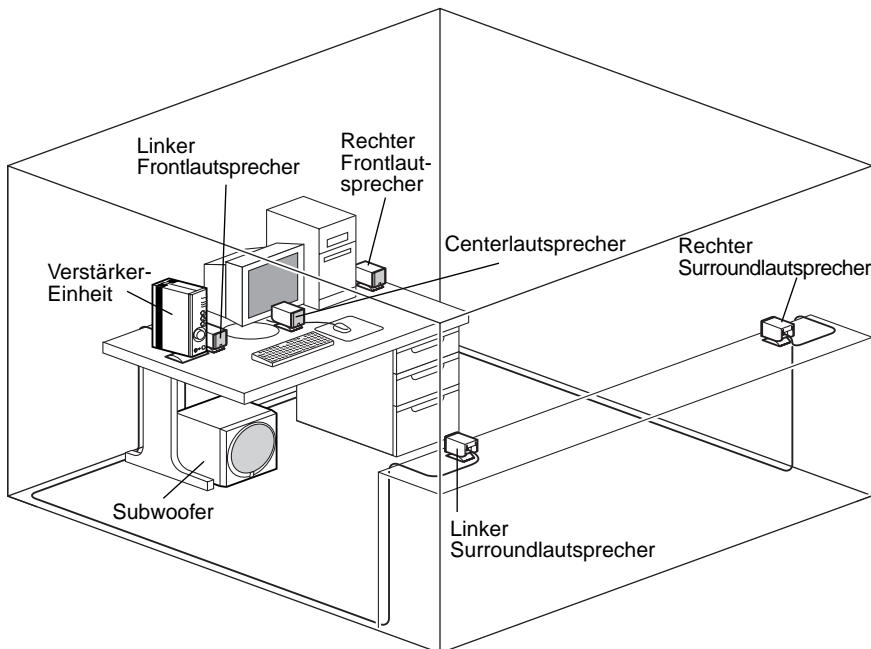
* Die Satellitenlautsprecher können an die Wand montiert werden. (Siehe nächste Seite.)

Frontlautsprecher: Auf beide Seiten des Fernsehers und auf etwa der gleichen Höhe wie der Fernseher (oder der Computermonitor).

Surroundlautsprecher: Hinter Ihrer Hörposition oder auf beiden Seiten des Hörraums.

Centerlautsprecher: Genau in der Mitte zwischen den Frontlautsprechern.
* Der Centerlautsprecher kann am Monitor befestigt werden, wie auf der nächsten Seite dargestellt.

Subwoofer: Auf dem Boden. Die genaue Position des Subwoofers ist weniger wichtig, weil niedrige Frequenzen nicht mit genauer Richtwirkung wahrgenommen werden.

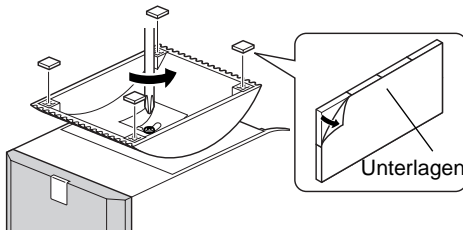


■ Einstellen des vorderen Winkels der Satellitenlautsprecher

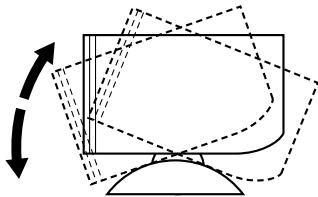
Der vordere Winkel der Satellitenlautsprecher kann, wie unten dargestellt, eingestellt werden.

- 1 Lockern Sie die Schraube auf der Unterseite des Lautsprechergestells.

* Legen Sie für mehr Stabilität die mitgelieferten rutschfesten Unterlagen unter die vier Ecken der Unterseite des Gestells.



- 2 Schieben Sie den Lautsprecher wie gewünscht auf das Gestell und ziehen Sie die Schraube wieder fest an.

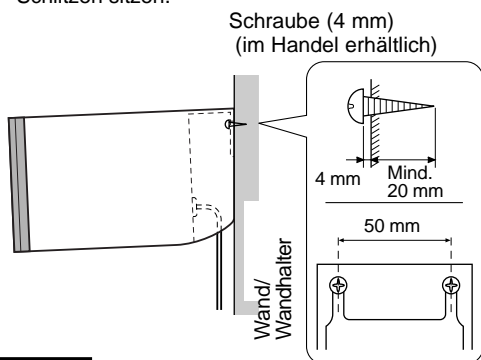


■ Die Satellitenlautsprecher an die Wand montieren

Die Satellitenlautsprecher können auch an die Wand gehängt werden.

Drehen Sie Schrauben in eine feste Wand oder Stütze, wie in der Abbildung gezeigt, und hängen Sie die auf der Lautsprecherrückseite befindlichen Schlitzlöcher in die vorstehenden Schrauben ein.

* Kontrollieren Sie, ob die Schrauben richtig in den Schlitzlöchern sitzen.



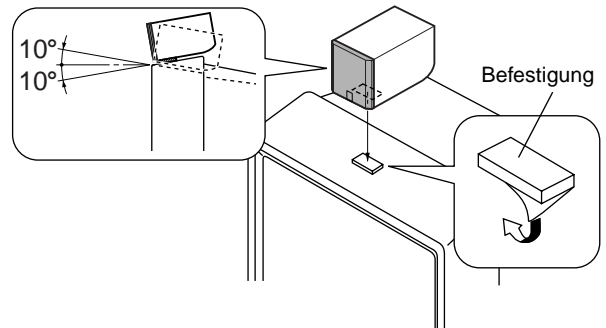
Vorsicht

- Jeder Lautsprecher hat ein Gewicht von 0,4 kg. Hängen Sie deshalb die Lautsprecher nicht an einer Wand aus dünnem Furnier oder weichem Material auf. Beim Aufhängen kann sich die Schraube lösen, so dass der Lautsprecher herunterfallen kann und beschädigt werden bzw. Verletzungen verursachen kann.
- Montieren Sie die Lautsprecher weder mit Nägeln, Klebeband noch anderem haltlosen Material an der Wand. Eine lange Benutzung sowie Vibrationen könnten zu einem Herunterfallen der Lautsprecher führen.
- Befestigen Sie die Lautsprecherkabel richtig an der Wand, um zu vermeiden, dass Sie über lose Kabel stolpern und sich verletzen.

■ Den Centerlautsprecher an die Monitoroberseite montieren

Wenn Sie den Centerlautsprecher oben auf dem Monitor aufstellen möchten, müssen Sie das Gestell vom Lautsprecher abnehmen und die mitgelieferte Befestigung sowohl an dessen Boden als auch oben auf dem Monitor anbringen, um ein Herunterfallen des Lautsprechers zu verhindern.

* Befestigen Sie den Lautsprecher oben auf dem Monitor mit einer Neigung von mehr als 10 Grad.



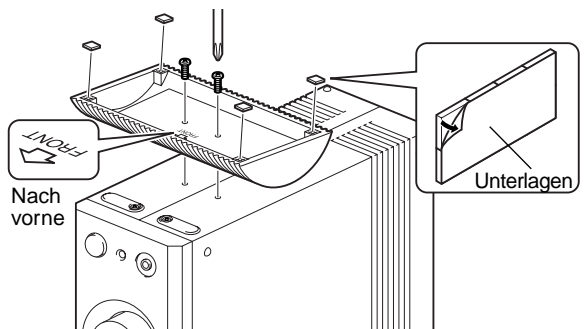
Hinweis

Obwohl es sich bei diesem Lautsprecher um ein antistatisches Gerät handelt, kann das Monitorbild abhängig von der Art des Monitors und des Aufstellungsortes des Lautsprechers in gewisser Weise beeinträchtigt werden. Stellen Sie den Lautsprecher in einem solchen Fall so auf, dass das Monitorbild nicht beeinträchtigt wird.

■ Die Verstärker-Einheit auf dem mitgelieferten Gestell befestigen

Um Stabilität zu erreichen, wird empfohlen die Verstärker-Einheit mit Hilfe der mitgelieferten Schrauben auf das mitgelieferte Gestell zu befestigen wie unten gezeigt.

* Legen Sie für mehr Stabilität die mitgelieferten rutschfesten Unterlagen unter der vier Ecken der Gestellunterseite.



Anschlüsse

(Siehe Abbildung 1 auf der Innenseite der Frontabdeckung.)

Vorsicht: Schließen Sie die Verstärker-Einheit und die anderen Geräte erst an, nachdem alle Anschlüsse ausgeführt wurden.

A: Schließen Sie die drei Satellitenlautsprecher mit dem 3 m langen Kabel an die Anschlüsse **FRONT L, R** und **CENTER** an. Schließen Sie die zwei Satellitenlautsprecher mit dem 7 m langen Kabel an die Anschlüsse **SURROUND L** und **R** an. Schließen Sie den Subwoofer an den **SUBWOOFER**-Anschluss an.

B: Schließen Sie externe Audio/Video-Geräte (Personalcomputer, Video Game Player, portablen DVD/CD-Player, Videokassetten-Player, usw., die Wiedergabesignale an dieses System senden) an diese Anschlüsse an.

Vorsichtsmaßnahmen

- Wenn das mitgelieferte Netzteil auf einen Tisch, usw. gelegt wird, vergewissern Sie sich, dass das Netzteil sicher auf dem Tisch, usw. fixiert ist, damit es nicht herunterfällt. Wenn das Netzteil herunterfällt, kann ein Personenschäden oder Schäden am Netzteil selbst und/oder anderen Geräten die Folge sein.
- Die **SPEAKER OUTPUT**-Anschlüsse auf der Rückseite der Verstärker-Einheit sind speziell für den Anschluss der mitgelieferten Lautsprecher bestimmt. Schließen Sie diese Anschlüsse niemals an einen AV-Verstärker oder einen Leistungsverstärker an, da dies möglicherweise einen fehlerhaften Betrieb, einen Brand und/oder einen Systemschaden zur Folge haben kann.

Regler & Anschlüsse

(Siehe Abbildung 2 auf der Innenseite der Frontabdeckung.)

1 INPUT-Wahltaste und Anzeigen

Drücken Sie mehrmals auf diese Taste, um den Eingangsmodus **DIGITAL**, **4CH** oder **2CH** auszuwählen. Der gegenwärtig eingestellte Modus wird durch Aufleuchten der entsprechenden Anzeige angezeigt.

DIGITAL:

Wählen Sie diesen Modus, um die am **OPTICAL**- oder **COAXIAL**-Anschluss auf dem hinteren Anschlussfeld empfangenen Signale zu reproduzieren. Wenn beide Anschlüsse, **OPTICAL** und **COAXIAL**, Signale empfangen, werden die am **OPTICAL**-Anschluss eingehenden Signale gewählt.

4CH:

Wählen Sie diesen Modus, um an die an den analogen Eingangsanschlüssen **FRONT** und **SURROUND** auf dem hinteren Anschlussfeld empfangenen Signale im 4-Kanal-Surroundmodus zu reproduzieren. (Der Centerlautsprecher bleibt in diesem Modus deaktiviert.)

2CH:

Wählen Sie diesen Modus, um die am analogen Eingangsanschluss **FRONT** auf dem hinteren Anschlussfeld empfangenen Signale zu reproduzieren. (Der **PROLOGIC**-Surroundmodus kann in diesem Modus verwendet werden.)

2 MODE-Wahltaste und Anzeigen

Drücken Sie mehrmals auf diese Taste, um den gewünschten Surroundmodus zwischen Ein **DTS**, **DIGITAL**, **PROLOGIC** und **Aus** auszuwählen. Der gegenwärtig eingestellte Modus wird durch Aufleuchten der entsprechenden Anzeige angezeigt. Wenn kein Modus eingestellt ist, leuchtet auch keine Anzeige auf.

* Wenn bei deaktiviertem Surroundmodus ein mit DTS oder Dolby Digital kodierte Signal eingeht, leuchtet die entsprechende Anzeige etwas gedämpft auf.

DTS:

Wählen Sie diesen Modus, um eine mit DTS dekodierte Eingangsquelle zu reproduzieren. Dieser Modus kann nur gewählt werden, wenn das Eingangssignal durch DTS kodiert und der Eingangsmodus auf **DIGITAL** eingestellt ist.

DIGITAL:

Wählen Sie diesen Modus, um eine mit Dolby Digital dekodierte Eingangsquelle zu reproduzieren. Dieser Modus kann nur gewählt werden, wenn das Eingangssignal durch Dolby Digital kodiert und der Eingangsmodus auf **DIGITAL** eingestellt ist.

PROLOGIC:

Wählen Sie diesen Modus, um eine mit Dolby Prologic dekodierte Eingangsquelle zu reproduzieren. Dieser Modus kann nicht gewählt werden, wenn der Eingangsmodus auf **4CH** eingestellt ist.

3 TEST-Taste

Drücken Sie auf diese Taste, um ein Prüftönen der Lautsprecher zu reproduzieren. Ein Prüftönen wird von jedem Lautsprecher, wie unten angezeigt, ausgegeben. Der Prüftönen dient der Lautstärkereinstellung aller Lautsprecher.

FRONT L → CENTER → FRONT R
↑ SURROUND L ← SURROUND R ←

* Je nach Einstellung des **SPEAKER MODE**-Schalters (13) reproduziert nicht jeder Lautsprecher einen Prüftönen.

4 MUTE-Taste und -Anzeige

Drücken Sie auf diese Taste, um den Ton vorübergehend abzuschalten. Diese Anzeige leuchtet, wenn diese Funktion aktiviert ist. Drücken Sie erneut auf diese Taste, um den Tonausgang wiederherzustellen.

* Der Tonausgang wird ebenfalls wiederhergestellt, indem der Status dieses System zwischen Bereitschaft und Betrieb gewechselt und der Eingangsmodus oder der Surroundmodus geändert wird.

5 CENTER-Pegelregler

Mit diesem Regler wird der vom Centerlautsprecher reproduzierte Tonpegel eingestellt. Drehen Sie diesen Regler im Uhrzeigersinn, um den Pegel zu erhöhen, und drehen Sie ihn gegen den Uhrzeigersinn, um den Pegel zu senken.

6 SURROUND-Pegelregler

Mit diesem Regler wird der von den Surroundlautsprechern reproduzierte Tonpegel eingestellt. Drehen Sie diesen Regler im Uhrzeigersinn, um den Pegel zu erhöhen, und drehen Sie ihn gegen den Uhrzeigersinn, um den Pegel zu senken.

7 SUBWOOFER-Pegelregler

Mit diesem Regler wird der vom Subwoofer reproduzierte Tonpegel eingestellt. Drehen Sie diesen Regler im Uhrzeigersinn, um den Pegel zu erhöhen, und drehen Sie ihn gegen den Uhrzeigersinn, um den Pegel zu senken.

8 MASTER VOLUME-Regler

Mit diesem Regler wird der gesamte Lautstärkepegel dieses Systems eingestellt. Drehen Sie diesen Regler im Uhrzeigersinn, um den Pegel zu erhöhen, und drehen Sie ihn gegen den Uhrzeigersinn, um den Pegel zu senken.

9 Kopfhörerbuchse

Es können Stereo-Kopfhörer an diese Ministeckerbuchse für ungestörtes Hörvergnügen angeschlossen werden. Es wird kein Ton ausgegeben, wenn Kopfhörer an diese Buchse angeschlossen sind. Die Töne aller Kanäle werden in 2-Kanäle gemischt und von den Kopfhörern reproduziert.

10 Spannungsanzeige

Leuchtet, wenn die Stromversorgung zu diesem System eingeschaltet ist.

11 Hauptschalter

Bei jeder Betätigung dieses Schalters wechselt der Status zwischen Bereitschaft und Betrieb. Wenn die Stromversorgung eingeschaltet ist, leuchtet die Spannungsanzeige (10).

* Beachten Sie, dass dieses System im Bereitschaftsmodus weniger Strom verbraucht.

12 SPEAKER OUTPUTS**FRONT:**

Schließen Sie den einen Satellitenlautsprecher mit dem 3 m langen Kabel an den L-Anschluss an, und den anderen an den R-Anschluss an. Beide dienen als Frontlautsprecher.

SURROUND:

Schließen Sie den einen Satellitenlautsprecher mit dem 7 m langen Kabel an den L-Anschluss an, und den anderen an den R-Anschluss an. Beide dienen als Surroundlautsprecher.

CENTER:

Schließen Sie den einen Satellitenlautsprecher mit dem 3 m langen Kabel an diesen Anschluss an. Er dient als Centerlautsprecher.

S. WOOFER:

Schließen Sie an diesen Anschluss den Subwoofer an.

13 SPEAKER MODE-Schalter

Normalerweise ist der Schalter auf **5CH** gestellt. Sie können diesen Schalter jedoch auf eine andere Position stellen.

5CH:

Alle Lautsprecher werden in diesem Modus verwendet.

4CH:

Diese Position wählen, wenn Sie den Centerlautsprecher nicht nutzen wollen. In diesem Modus wird der Centerton von den Frontlautsprechern L und R reproduziert.

2CH:

Wählen Sie diese Position aus, wenn Sie den Centerlautsprecher und den Surroundlautsprecher nicht verwenden. In diesem Modus werden die Töne aller Kanäle gemischt und von den Frontlautsprechern L und R als virtuelle Surroundtöne reproduziert. [Die Surroundlautsprecher reproduzieren die gleichen Töne wie die Frontlautsprecher (außer den Prüftönen).]

14 DC IN-Anschluss

Schließen Sie hier das beiliegende Netzteil an.

15 DIGITAL INPUTS

An diese Anschlüsse können externe Geräte mit Digitalsignalausgangsanschlüssen angeschlossen werden.

Eingangssignale, die am **OPTICAL**-Anschluss empfangen werden haben Priorität vor den Signalen am **COAXIAL**-Anschluss. Wenn beide Anschlüsse Signale empfangen, werden die Signale vom **OPTICAL**-Anschluss mit diesem System reproduziert.

OPTICAL:

Schließen Sie mit dem mitgelieferten optischen Kabel ein externes Gerät (DVD/CD-Player, MD-Recorder, Video Game Player, usw.) das einen digitalen Signalausgangsanschluss besitzt, an diesen Anschluss an.

COAXIAL:

Schließen Sie mit dem beiliegenden RCA-Stiftsteckerkabel ein externes Gerät (DVD/CD-Player, MD-Recorder, Video Game Player, usw.), das einen koaxialen Digitalausgangsanschluss besitzt, an diesen Anschluss an.

16 ANALOG INPUTS

Schließen Sie mit Hilfe der mitgelieferten Minibuchsenkabel oder mit herkömmlichen Ministeckersteckerkabel analoge Signalausgangsanschlüsse eines externen Gerätes an diese Minibuchsenanschlüsse an.

FRONT:

Schließen Sie einen analogen (stereo) Signalausgangsanschluss eines externen Gerätes mit Hilfe des mitgelieferten Ministeckerkabel an diesen Anschluss an. Wenn Sie ein Resonanzboden auf einem Computer anschließen, der vier Kanalausgangsanschlüsse besitzt, schließen Sie den vorderen Kanalausgangsanschluss des Resonanzbodens an diesen Anschluss an.

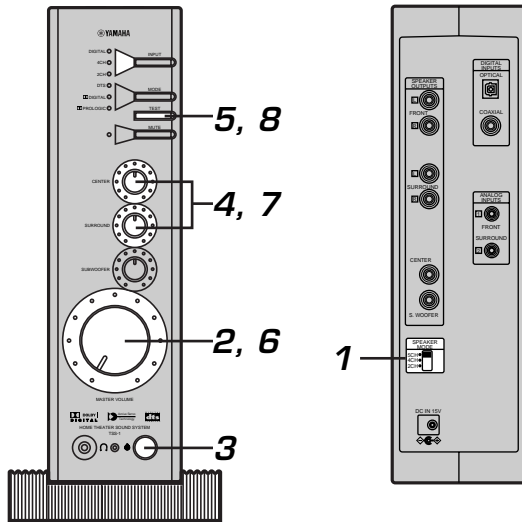
SURROUND:

Wenn Sie ein Resonanzboden auf einem Computer anschließen, der Vierkanalausgangsanschlüsse besitzt, schließen Sie den hinteren Kanalausgangsanschluss des Resonanzbodens an diesen Anschluss an.

Einstellen der Lautsprecherbalance

Mit diesem Verfahren können Sie die Tonausgabepegelbalance zwischen den Front-, Center-, und Surroundlautsprechern mit Hilfe des integrierten Prüftongenerators einstellen. Führen Sie die Einstellung so aus, dass jeder Lautsprecherausgabepegel fast mit dem bei der Hörposition übereinstimmt. Dies ist wichtig für die Leistung des eingebauten DTS-Decoders und Dolby Digital-Decoders.

* Nachdem Sie diese Einstellung abgeschlossen haben, können Sie den gesamten Lautstärkepegel dieses Systems mit dem **MASTER VOLUME**-Regler einstellen.



1 Stellen Sie den **SPEAKER MODE**-Schalter auf "5CH", wenn er auf eine andere Position eingestellt ist.

2 Drehen Sie den **MASTER VOLUME**-Regler vollständig gegen den Uhrzeigersinn, um die Lautstärke auf ein Minimum zu senken.

3 Schalten Sie dieses System ein.

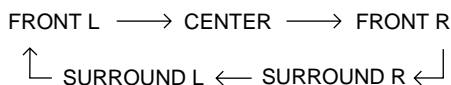
4 Stellen Sie die **CENTER**- und **SURROUND**-Pegelregler auf die mittlere Position.



5 Drücken Sie die **TEST**-Taste.

6 Stellen Sie die Hauptlautstärke auf den gewünschten Pegel.

* Sie werden für etwa zwei Sekunden einen Prüftön (wie Rosa-Rauschen) von den entsprechenden Lautsprechern in der folgenden Reihenfolge hören.



7 Stellen Sie die **CENTER** und **SURROUND** Pegelregler ein, während Sie eine Reihe von Prüftönen hören, so dass diese Pegel fast mit dem Pegel der Frontlautsprecher übereinstimmen.

* Stellen Sie die Rechts-/Links-Lautstärkebalance der Frontlautsprecher und Surroundlautsprecher ein, indem die Position jedes Lautsprechers geändert wird.

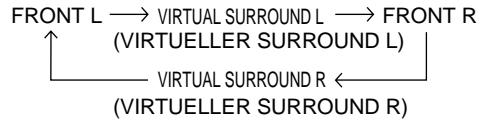
8 Drücken Sie die **TEST**-Taste, wenn die Einstellung komplett ist.

* Der Prüftön stoppt.

Hinweise

• Wenn der **SPEAKER MODE**-Schalter auf "4CH" gestellt ist: Der Prüftön für den Centerkanal wird vom linken und rechten Frontlautsprecher gleichzeitig reproduziert.

Wenn der **SPEAKER MODE**-Schalter auf "2CH" gestellt ist: Die Prüftöne für den linken und rechten Surroundkanal werden vom linken bzw. rechten Frontlautsprecher reproduziert. Die Ausgabereihenfolge der Prüftöne ist wie folgt.

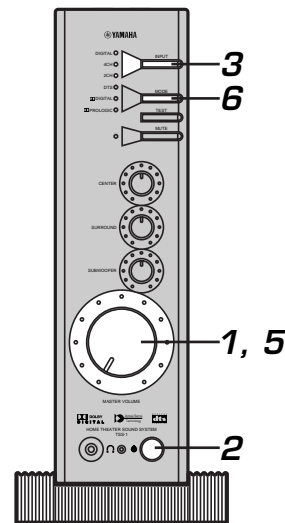


• Stellen Sie den Subwoofer-Pegel ein, während Sie sich die Tonwiedergabe einer Quelle anhören.

Wiedergabe einer Quelle

Dieser Abschnitt erklärt, wie dieses System eingeschaltet wird und wie die Eingangsquellen ausgewählt werden.

Bevor Sie dieses System einschalten, schalten Sie das verwendete externe Audiogerät ein.



1 Drehen Sie den **MASTER VOLUME**-Regler vollständig gegen den Uhrzeigersinn, um die Lautstärke auf ein Minimum zu senken.

2 Schalten Sie dieses System ein.

3 Wählen Sie den entsprechenden Eingangsmodus mit Hilfe der **INPUT**-Wahlknöpfe.

* Die Anzeige des eingestellten Eingangsmodus leuchtet.

* Lesen Sie hinsichtlich Einzelheiten über die Eingangsmodi den Abschnitt "Regler & Anschlüsse" auf Seite 6.

4 Spielen Sie eine Quelle mit dem externen Gerät ab.

5 Stellen Sie die Lautstärke auf den gewünschten Pegel ein.

6 Wenn Sie wollen, wählen Sie den Surroundmodus.

* Lesen Sie hinsichtlich Einzelheiten über die Surroundmodi den Abschnitt "Regler & Anschlüsse" auf Seite 6.

Fehlersuche

Bei Funktionsstörungen dieses Systems wird auf die nachstehende Tabelle verwiesen. Wenn ein aufgetretenes Problem nicht aufgelistet ist oder die angegebenen Abhilfemaßnahmen nichts bewirken, trennen Sie das Netzteil ab und wenden Sie sich an Ihren autorisierten YAMAHA-Händler oder Kundendienst.

Störung	Ursache	Abhilfe
Lautsprecher oder Subwoofer bleiben stumm.	Das Netzteil wurde nicht richtig angeschlossen.	Verbinden Sie das Netzteil ordnungsgemäß mit einer Netzsteckdose.
	Die Stromversorgung der Verstärkereinheit wird in den Bereitschaftsmodus gestellt.	Schalten Sie die Stromversorgung ein, indem Sie den Netzschalter drücken. (Die Spannungsanzeige leuchtet.)
	Falsche oder unvollständige Anschlüsse.	Anschlüsse erneut ausführen.
	Der entsprechende Eingangsmodus ist nicht eingestellt.	Wählen Sie den entsprechenden Eingangsmodus mit Hilfe der INPUT-Wahltaste.
	Die Lautstärkeeinstellung ist niedrig.	Drehen Sie den MASTER VOLUME-Regler im Uhrzeigersinn, um die Lautstärke zu erhöhen.
	Die MUTE-Funktion ist aktiviert. (Die Anzeige auf der linken Seite der MUTE-Taste leuchtet.)	Drücken Sie die MUTE-Taste, um diese Funktion zu deaktivieren.
Surroundlautsprecher bleiben stumm.	Der SURROUND-Pegelregler ist auf ein Minimum eingestellt.	Drehen Sie den SURROUND-Pegelregler im Uhrzeigersinn, um den Pegel zu erhöhen.
	Der Surroundmodus ist ausgeschaltet.	Wählen Sie den entsprechenden Surroundmodus mit Hilfe der MODE-Taste. Wenn kein Modus ausgewählt werden kann, ändern Sie die Eingangsquelle, die mit DTS, Dolby Digital oder Dolby Prologic kodiert ist.
Centerlautsprecher bleibt stumm.	Der CENTER-Pegelregler ist auf ein Minimum eingestellt.	Drehen Sie den CENTER-Pegelregler im Uhrzeigersinn, um den Pegel zu erhöhen.
	Der SPEAKER MODE-Schalter auf dem hinteren Anschlussfeld der Verstärker-Einheit ist auf "2CH" oder "4CH" gestellt.	Stellen Sie den SPEAKER MODE-Schalter auf "5CH".
	Der Surroundmodus ist ausgeschaltet.	Wählen Sie den entsprechenden Surroundmodus mit Hilfe der MODE-Taste. Wenn kein Modus ausgewählt werden kann, ändern Sie die Eingangsquelle, die mit DTS, Dolby Digital oder Dolby Prologic kodiert ist.
Center- und Surroundlautsprecher bleiben stumm, obwohl die DTS- oder <input type="checkbox"/> DIGITAL-Modusanzeige, gedämpft leuchtet.	Die gedämpfte Beleuchtung einer Anzeige bedeutet, dass die an diesem System eingegangenen Signale mit dem entsprechenden Format (DTS oder Dolby Digital) kodiert sind. In diesem Fall werden die Töne in 2-Kanäle gemischt und nur von den Frontlautsprechern reproduziert.	Drücken Sie die MODE-Taste für das entsprechende Surroundformat. Die Anzeige leuchtet jetzt hell und die Center- und Surroundlautsprecher reproduzieren Töne, da das Surroundformat dekodiert ist.
Obwohl eine mit Dolby Digital kodierte Quelle an dieses System eingegeben wird, leuchtet die <input type="checkbox"/> DIGITAL-Modusanzeige leuchtet gedämpft und die <input type="checkbox"/> PROLOGIC-Modusanzeige leuchtet hell.	Obwohl eine mit Dolby Digital kodierte Quelle an dieses System eingegeben wird, leuchtet die DIGITAL-Modusanzeige gedämpft und die PROLOGIC-Modusanzeige hell auf.	Wenn die Eingangsquelle mit 5.1-Kanälen kompatibel ist, wählen Sie "5.1-Kanalmodus" am Player aus, der Signale an dieses System sendet. (Wenn die Eingangsquelle nicht mit 5.1-Kanälen kompatibel ist, können Sie mit dem <input type="checkbox"/> PROLOGIC-Surroundmodus die Quelle im Mehrkanal-Modus genießen.)
Ton ist verzerrt.	Der Pegel des eingegangenen Signals ist zu hoch.	Verringern Sie die Lautstärke des externen Geräts.
Rauschen.	Der Pegel des eingegangenen Signals ist zu niedrig.	Erhöhen Sie die Lautstärke des externen Geräts.
	Falsche oder unvollständige Anschlüsse.	Anschlüsse erneut ausführen.
	Die Verstärker-Einheit steht neben dem Monitor.	Entfernen Sie die Verstärker-Einheit vom Monitor.

Technische Daten

Verstärker-Einheit

Ausgang Leistung pro Kanal

..... Satellitenboxen 6 W (1 kHz, 4 Ω , 10% Klirr.)
..... Subwoofer: 18 W (100 Hz, 4 Ω , 10% Klirr.)

Eingangsempfindlichkeit 200 mV

Kopfhörerbuchse Ausgangspegel/Ausgangsimpedanz
..... 450 mV/30 Ω (1 kHz, 200 mV)

Frequenzgang 40 Hz–20 kHz

Abmessungen (B x H x T) 113 mm x 272 mm x 206 mm

Gewicht 1,5 kg

Linker Satellitenlautsprecher

Typ Breitbandlautsprechersystem
..... Magnetisch abgeschirmt

Treiber 5 cm Fichtenkonustyp

Impedanz 4 Ω

Abmessungen (B x H x T) 70 mm x 95 mm x 118 mm

Gewicht 0,4 kg

Subwoofer

Typ Aktiv-Servo-Processing-Subwoofer-System

Treiber 13 cm Konus-Woofer
..... Magnetisch abgeschirmt

Impedanz 4 Ω

Abmessungen (B x H x T) 220 mm x 224 mm x 222 mm

Gewicht 3,4 kg

Lieferumfang

Netzteil (PA-SR601) x 1
Stereo-Ministeckerkabel (1,8 m) x 2
Lichtleitfaserkabel (1,0 m) x 1
RCA-Stifteckerkabel (1,8 m) x 1
Gestell für die Verstärker-Einheit x 1
Schraube x 2
Auflagen x 24
Befestigung x 1

* Bitte nehmen Sie zu Kenntnis, dass alle Spezifikationen ohne vorherige Ankündigung geändert werden können.

Försiktighetsåtgärder

Läs igenom följande försiktighetsåtgärder innan systemet tas i bruk:

YAMAHA kan inte hållas ansvarig för eventuella skador och/eller personskador som uppstår till följd av att försiktighetsåtgärderna nedan inte följs.

- Håll i kontakten och inte i sladden när nätadaptern kopplas loss från eluttaget.
 - Koppla loss nätadaptern från eluttaget om systemet inte skall användas på ett tag.
 - Koppla alltid loss nätadaptern från eluttaget innan några anslutningar görs.
 - Det finns inga delar inuti systemet som behöver underhåll. Överlåt allt reparations- och underhållsarbete till en Yamaha-reparatör.
 - **Öppna inte höljet.** Om det kommer främmande föremål in i apparaten skall du sluta använda den och kontakta din återförsäljare. Det finns i annat fall risk för brand.
 - Utsätt inte systemet för extrem kyla eller värme, direkt solljus, mycket damm, fukt eller vibrationer.
 - Ställ systemet på ett jämnt, stadigt underlag. Undvik att tappa det, utsätta reglagen för hårt tryck eller placera någonting tungt ovanpå dem.
 - Lägg inte små metallföremål ovanpå systemet. Det finns risk att föremålen trillar ned med risk för skador som följd.
 - Eftersom förstärkaren har ett inbyggt slutsteg kommer värme att stråla ut från ventilationsöppningarna. Placera förstärkaren på avstånd från väggar, med ett utrymme på minst 20 cm ovanför och 10 cm bakom och på sidorna av förstärkaren.
Se även till att bakpanelen inte står direkt på golvet eller en annan yta, och undvik att förstärkaren täcks över med tidningar, dukar, gardiner e.likn., eftersom detta kan förhindra apparatens ventilation.
Om temperaturen i förstärkaren blir för hög kan den skadas och det finns risk för brand, skada på förstärkaren och/eller personskador.
 - Placera inte något av följande föremål ovanpå systemet:
Glas, vaser o.likn.
Om glaset eller andra föremål trillar av högtalaren kan det gå sönder och orsaka personskador.
Tända stearinljus o.likn.
Om stearinluset trillar av högtalaren kan det orsaka eldsvåda med stor risk för personskador.
Vattenbehållare
Om behållaren trillar av högtalaren eller det spills vatten på den, t.ex. till följd av vibrationerna, kan systemet skadas och/eller det finns stor risk för elektrisk stöt.
 - Undvik återkoppling via en mikrofon, långvarig återgivning av elektronisk musik på för hög nivå samt stark signalförvrängning, eftersom det kan skada systemet.
 - Det kan hända att ett svagt brummande uppstår om systemet placeras nära en bildskärm, lysrörslampa eller neonljus. Placera i så fall systemet på ett längre avstånd från denna typ av ljuskällor.
- Systemet är magnetiskt avskärmat. Placera ändå inte datadisketter eller magnetband i närheten av systemet.
 - Undvik störcällor som kan orsaka brum i högtalarna (transformatorer, motorer osv.). Utsätt inte systemet för regn eller vatten för att undvika brand eller elektriska stötar.
 - Utsätt inte omkopplare, kontroller eller kablar för ovarsam hantering. När systemet skall flyttas, så slå först av strömmen, och koppla därefter loss nätadaptern från eluttaget och kablarna från anslutna produkter.
 - Vrid alltid MASTER VOLUME-kontrollen helt moturs innan ljudåtergivningen sätts igång. Vrid kontrollen gradvis medurs efter att avspelningsen på källan har startat.
 - **Använd endast den nätadapter (PA-SR601) som levereras med systemet. Det finns i annat fall risk för brand eller skador på systemet.**

Beredskapsläge

Systemet drar fortfarande en liten mängd ström när det slås från genom att trycka på strömbrytaren. Detta läge är det s.k. beredskapsläget. Strömmen till systemet bryts endast helt när nätadaptern kopplas loss från eluttaget.

Systemet är magnetiskt avskärmat, men det finns dock en liten chans att högtalarna kan påverka färgåtergivningen om de ställs för nära en TV eller en datorskärm. Flytta systemet och TV:n eller datorskärmen längre isär om detta inträffar.

Innehåll

Försiktighetsåtgärder	1	Reglage & anslutningar	6
Uppackning	2	Balansering av högtalarna	8
Egenskaper	2	Avspelning av en källa	8
Placering av högtalarna	4	Felsökning	9
Anslutningar	6	Tekniska data	10

Uppackning

Kontrollera att följande delar finns med när systemet packas upp.

- **Förstärkare**
- **Högtalare x 5**
 - Högtalare med 3 m kabel x 3
 - Högtalare med 7 m kabel x 2
- **Subwooferhögtalare**
- **Tillbehör**
 - Nätadapter (PA-SR601) x 1
 - Stereokabel med minikontakter x 2
 - Optisk fiberkabel x 1
 - Kabel med RCA-stiftkontakter x 1
 - Fot för förstärkaren x 1
 - Skruv x 2
 - Dynor x 24
 - Fäste x 1

Egenskaper

Flerkanligt surroundsystem för hemmabio, TV-spel och PC DVD-spelare.

- **System med förstärkare, fem högtalare och en subwooferhögtalare**
- **Dolby Digital- och DTS-avkodare**
(Se nästa sida.)
- **5.1-kanaligt komplett system för DVD-filmunderhållning**
- **Tre högtalariägen: 5.1 kanaler, 4.1 kanaler (spel-surround) och stereo (Virtual Surround)**
- **Yamahas unika Active Servo Teknologi för kraftfull basåtergivning**
- **1 optisk och 1 koaxial digital ingång**
- **Två analoga ingångar (främre/bakre kanaler)**
- **Testtongenerator för exakt högtalarbalansering**

Välkommen till den digitala hemunderhållningens spännande värld.

TSS-1 är en komplett, kompakt och avancerad ljudanläggning för din hemmabio som introducerar dig till en helt ny värld med digital surroundljud. En del av systemets avancerade egenskaper kanske är nya för dig, men de är mycket lätta att använda. Systemet omfattar den senaste teknologin inom bl.a. Dolby Digital och DTS, och kan ge samma ljudupplevelse i ditt hem som den som erbjuds i de bästa biosalongerna runt omkring i världen. Ta en stund på dig och läs mer om dessa egenskaper och bekanta dig med en helt ny värld av ljudupplevelser i din egen privata biosalong.

■ Dolby Surround

Dolby Surround använder fyra diskreta kanaler och fem högtalare för att återge ljudeffekter på ett realistiskt och dynamiskt sätt: två huvudkanaler (vänster och höger), en mittkanal för dialogen, och en bakre kanal för speciella ljudeffekter. Den bakre kanalen matar bara ut ljud inom ett begränsat frekvensområde. De flesta videokassetter och laserskivor är kodade med Dolby Surround, liksom många TV-program och kabel-TV-program. Den inbyggda Dolby Pro Logic-dekodern i den här förstärkaren använder ett digitalt signalbehandlingssystem som stabiliserar var och en av kanalerna och ger en ännu precisare ljudplacering än vad som är möjligt med vanliga analoga processorer.

■ Dolby Digital *

Dolby Digital är ett digitalt surroundljudsystem som ger ett mångkanaligt ljud där kanalerna är helt oberoende av varandra. Dolby Digital ger fem fullbandskanaler i vad som brukar kallas "3/2"-konfiguration: tre främre kanaler (vänster, mitten och höger) samt två surroundkanaler. Det finns även en sjätte kanal enbart för basljudeffekter, den s.k. LFE-kanalen (Low Frequency Effect), som används för att mata ut låga bassignaler oberoende av de andra kanalerna. Denna kanal räknas som 0.1 kanal, vilket gör att man talar om 5.1 kanaler totalt.

Det breda dynamikomfånget hos ljudet som matas ut genom de fem fullbandskanalerna och den precisa ljudplaceringen tack vare den digitala signalbehandlingen ger lyssnaren ännu mer spännande och realistiska upplevelser än någonsin tidigare.

■ DTS (Digital Theater System) Digital Surround **

DTS är utvecklat för att ersätta analoga film ljudspår med digitala ljudspår på sex diskreta kanaler, och finns nu installerat i många biografer över hela världen. DTS digitala avspelningsystem har förändrat det sätt på vilket vi upplever filmer på bio tack vare sex diskreta kanaler med överlägset digitalt ljud.

Tack vare intensiv forskning och utveckling inom DTS är det även möjligt att använda en liknande diskret kodnings/avkodningsteknik för hembiobruk.

DTS Digital Surround är ett kodnings/avkodningssystem som ger sex kanaler 20-bitsljud av absolut högsta klass. Tekniskt sett är det 5.1 kanaler: 5 fullbandskanaler (vänster kanal, mittkanalen, höger kanal och två surroundkanaler), plus en subwooferkanal (LFE-kanalen) som räknas som 0.1 kanal. Detta system är kompatibelt med de 5.1-kanaliga högtalaruppsättningar som redan finns för hembiosystem.

Anmärkningar

- Vid avspelning av en vanlig CD på detta system efter avspelning av en DTS-kodad CD eller LD, kan det vara nödvändigt att återställa ingången eller att utföra andra inställningar.
- Även när digital anslutning används, kan det hända att systemet med vissa CD-, LD- och DTS-spelare inte kan avkoda DTS-signalen eller endast återge brus. Detta beror på att behandlingen av vissa digitala data i denna typ av spelare orsakar DTS-kodfel, fastän behandlingen av samma data på andra spelare endast ger en obetydlig ändring i signalnivån eller frekvensåtergivningen vid normal digital återgivning.
- Avspelningen kan avbrytas om ett fel uppstår i spelarens digitala dataström under avspelning av en DTS-kodad LD eller CD. Stanna avspelningen om detta inträffar och slå av och sätt på strömmen till spelaren.
- Vid avspelning av digitala signaler från en dator kan det uppstå fel i WAVE-signaler m.m. beroende på brus eller fel i avspelningen.



Tillverkad under licens från Dolby Laboratories. "Dolby", "Pro Logio" och dubbel-D-symbolen är varumärken som tillhör Dolby Laboratories. Konfidentiella opublicerade verk. ©1992—1997 Dolby Laboratories, Inc. Samtliga rättigheter förbehålles.



Tillverkas på licens från Digital Theater Systems, Inc. USA-patent nr. 5.451.942 och andra världsomfattande patent har erkänts eller är under behandling. "DTS", "DTS Digital Surround" är varumärken för Digital Theater Systems, Inc. Copyright 1996 Digital Theater Systems, Inc. Alla rättigheter förbehålles.

Placering av högtalarna

Systemkonfiguration

Systemet omfattar en förstärkare, fem högtalare och en subwooferhögtalare.

De tre högtalarna med 3 m kabel används som främre högtalare och mitthögtalare.

De två högtalarna med 7 m kabel används som surroundhögtalare.

De olika högtalarnas roller

De främre högtalarna används för att återge ljudet i huvudkanalerna. Surroundhögtalarna används för ljudeffekter, och mitthögtalaren används för ljud som kommer i mitten (dialog o.dyl.)

Subwooferhögtalarna används för att återge djup bas framifrån, i mitten och från surroundkanalerna.

Subwooferhögtalaren återger även basljud endast avsedda för subwooferkanalen när DTS- eller Dolby Digital-avkodning används.

Rekommenderade högtalarplaceringar

Innan du utför några anslutningar, skall du placera samtliga högtalare på sina rätta platser. Placeringen av högtalarna är viktig, därför att den bestämmer ljudkvaliteten för hela anläggningen.

Följ anvisningarna nedan och placera högtalarna korrekt i förhållande till din lyssningsposition.

* Satellithögtalarna kan hängas på en vägg (Se nästa sida.)

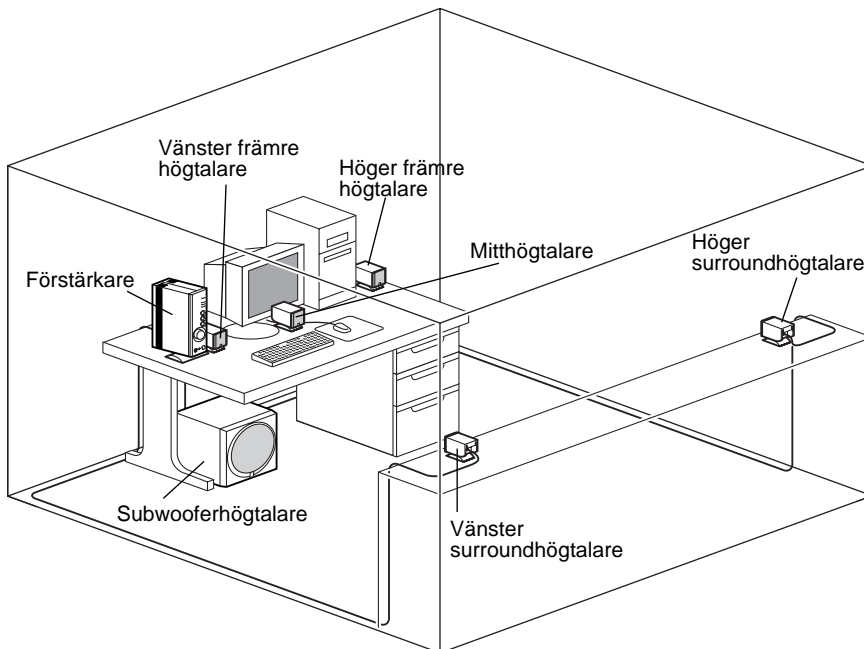
De främre högtalarna: På båda sidor om och ungefär lika högt som TV-mottagaren (eller datorskärmen).

Surroundhögtalarna: Bakom lyssningsplatsen och på båda sidor av lyssningsrummet.

Mitthögtalaren: Precis mitt mellan de främre högtalarna.

* Mitthögtalaren kan placeras ovanpå bildskärmen, vilket visas på nästa sida.

Subwooferhögtalaren: På golvet. Placeringen av subwooferhögtalaren är inte av så stor betydelse, därför att låga basljud inte har särskilt stor riktningsverkan.

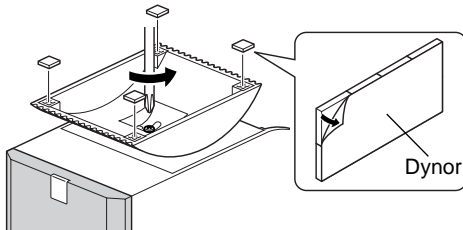


■ Justering av satellithögtalarnas främre vinkel

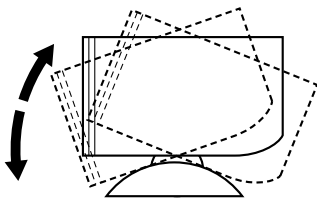
Satellithögtalarnas främre vinkel kan justeras som visas nedan.

1 Lossa skruven på högtalarfoten.

- * Klistra fast dynorna i de fyra hörnen på fotens undersida för att få bättre stabilitet.



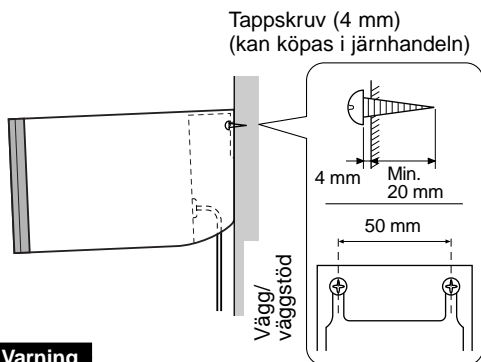
2 Vrid högtalaren på foten som önskas, och drag därefter fast skruven.



■ Montering av satellithögtalarna på en vägg

Satellithögtalarna kan även hängas på en vägg. Drag fast skruvar i en stadig vägg eller väggstöd på det sätt som bilden visar och passa in de utskjutande skruvarna i monteringsfästets hål.

- * Kontrollera att skruvarna sitter stadigt i hålen.



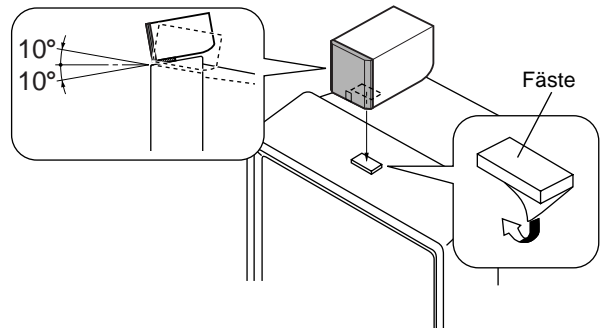
Varning

- Varje högtalare väger 0,4 kg. Häng inte upp dem på tunn plywood eller på väggar med mjuk yta. Om de monteras så, kan skruvarna lossna från den mjuka ytan så att högtalarna faller ned. Då skadas högtalarna och du kan också skada dig själv.
- Montera inte högtalarna på väggen med spik, lim eller på andra felaktiga sätt. Långtidsanvändning och vibrationer kan göra att de faller ned.
- Fäst högtalarkablarna på väggen, för att undvika olyckor orsakade av att du snavar över friliggande högtalarledningar.

■ Placering av mitthögtalaren ovanpå bildskärmen

Om mitthögtalaren placeras ovanpå bildskärmen, skall du klistra fast de två medföljande fästena på undersidan av högtalaren och TV:ns ovansida så att de inte kan trilla ned.

- * Placera inte högtalaren ovanpå bildskärmen om dess ovansida lutar mer än 10 grader.



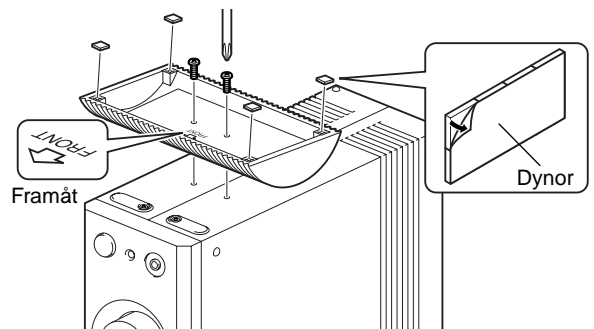
Anmärkning

Även om denna högtalare är magnetiskt avskärmd, kan bilden på skärmen störas beroende på vilken bildskärm som används eller på högtalarens placering. Om detta inträffar skall du flytta bort högtalaren från bildskärmen så att TV-bilden inte störs.

■ Montering av förstärkaren på den medlevererade foten

För att uppnå stabil placering av förstärkaren bör du montera den på foten med de medlevererade skruvarna, som bilden nedan visar.

- * Klistra fast dynorna i de fyra hörnen på fotens undersida för att få bättre stabilitet.



Anslutningar

(Se figur 1 på insidan av frontomslaget.)

Observera: Anslut förstärkaren och resten av anläggningen till nätet när alla anslutningar är klara.

A: Anslut de tre högtalarna med 3 m kabel till **FRONT L**-, **R**- och **CENTER**-anslutningarna. Anslut de två högtalarna med 7 m kabel till **SURROUND L**- och **R**-anslutningarna. Anslut subwooferhögtalaren till **SUBWOOFER**-anslutningen.

B: Anslut extern audio-/videoutrustning (t.ex. en persondator, ett videospel, en bärbar DVD/CD-spelare, en videobandspelare e.likn. som sänder signaler till detta system) till dessa anslutningar.

Försiktighetsåtgärder

- Om nätadaptern placeras på ett bord e.likn. skall du säkra den så att det inte finns risk att den kan ramla ned. Om nätadaptern ramlar ned kan den skadas och orsaka både person- och materiella skador.
- **SPEAKER OUTPUT**-anslutningarna på förstärkarens baksida är endast avsedda för anslutning av de medföljande högtalarna. Anslut aldrig dessa anslutningar till en AV-förstärkare eller ett slutsteg, eftersom det kan resultera i systemfel, brand och/eller skador på systemet.

Reglage & anslutningar

(Se figur 2 på insidan av frontomslaget.)

1 Ingångsväljare och indikatorer (INPUT)

Tryck upprepade gånger på denna tangent för att välja mellan **DIGITAL**, **4CH** och **2CH**. Valt läge visas genom att motsvarande indikator tänds.

DIGITAL:

Välj detta läge för att återge signaler som tas emot via **OPTICAL**- eller **COAXIAL**-anslutningen på bakpanelen. Om signaler tas emot från både **OPTICAL**- och **COAXIAL**-anslutningarna har signalerna från **OPTICAL**-anslutningen prioritet.

4CH:

Välj detta läge för att återge signaler som tas emot via de analoga **FRONT**- och **SURROUND**-ingångarna på bakpanelen när 4-kanals surroundåtergivning används. (Mithögtalaren används inte i detta läge.)

2CH:

Välj detta läge för att återge signaler som tas emot via de analoga **FRONT**-ingångarna på bakpanelen. (**PROLOGIC**-surround kan användas i detta läge.)

2 Surroundlägesväljare och indikatorer (MODE)

Tryck upprepade gånger på denna tangent för att välja önskat surroundläge bland on (**DTS**, **DIGITAL**, **PROLOGIC**) och off. Valt läge visas genom att motsvarande indikator tänds. Ingen indikator lyser om inget av lägena har valts.

* Om en DTS- eller Dolby Digital-kodad signal tas emot när surroundläget är urkopplat, lyser motsvarande indikator endast svagt.

DTS:

Välj detta läge för att lyssna till DTS-kodade program. Läget kan endast väljas om signalen har kodats enligt DTS och ingångsläget står på **DIGITAL**.

DIGITAL:

Välj detta läge för att lyssna till Dolby Digital-kodade program. Läget kan endast väljas om signalen har kodats enligt Dolby Digital och ingångsläget står på **DIGITAL**.

PROLOGIC:

Välj detta läge för att lyssna till Dolby Pro Logic-kodade program.

Läget kan inte väljas om ingångsläget står på **4CH**.

3 TEST-tangent

Tryck på denna tangent för att återge en testton från högtalarna. En testton hörs från respektive högtalare i ordningen som visas nedan. Testtonen används för att balansera ljudstyrkenivån mellan de olika högtalarna.

FRONT L → CENTER → FRONT R
↑ SURROUND L ← SURROUND R ↓

* Testtonen återges inte av alla högtalare beroende på inställningen av **SPEAKER MODE**-omkopplaren (13).

4 Ljuddämpningstangent och indikator (MUTE)

Tryck på denna tangent för att dämpa ljudet under en kort stund. Indikatorn lyser när ljudet har dämpats. Tryck en gång till för att få tillbaka ljudet.

* Ljudet kommer också tillbaka om systemet ställs i beredskap och slås på igen samt om ingångskällan eller surroundläget ändras.

5 Mittnivåkontroll (CENTER)

Denna kontroll används för att justera nivån i mithögtalaren. Vrid medurs för att höja nivån och moturs för att sänka den.

6 SURROUND-nivåkontroll

Denna kontroll används för att justera nivån i surroundhögtalarna. Vrid medurs för att höja nivån och moturs för att sänka den.

7 SUBWOOFER-nivåkontroll

Denna kontroll används för att justera nivån i subwooferhögtalaren. Vrid medurs för att höja nivån och moturs för att sänka den.

8 Huvudljudstyrkekontroll (MASTER VOLUME)

Denna kontrollerar reglerar den allmänna ljudstyrkan i systemet. Vrid medurs för att höja nivån och moturs för att sänka den.

9 Hörlursuttag

Du kan ansluta ett par stereohörlurar med minikontakt för privat avlyssning. Det hörs inget ljud från högtalarna vid anslutning av hörlurar till detta uttag. Ljudet från alla kanaler mixas till 2 kanaler och återges via hörlurarna.

10 Strömindikator

Lyser när strömmen till systemet är på.

11 Strömbrytare

Varje gång du trycker på tangenten växlar systemet mellan beredskapsläget och strömmen på.

Strömindikatorn (10) lyser när strömmen är på.

* Observera att systemet drar en liten mängd ström i beredskapsläget.

12 Högtalaranslutningar (SPEAKER OUTPUTS) FRONT:

Anslut en högtalare med 3 m kabel till L-anslutningen och en annan till R-anslutningen. Dessa högtalare används som systemets främre högtalare.

SURROUND:

Anslut en högtalare med 7 m kabel till L-anslutningen och den andra till R-anslutningen. Dessa högtalare används som systemets surroundhögtalare.

CENTER:

Anslut en högtalare med 3 m kabel till denna anslutning. Högtalaren är systemets mitthögtalare.

S. WOOFER:

Anslut subwooferhögtalaren till denna anslutning.

13 Högtalarväljare (SPEAKER MODE)

Vanligtvis skall denna omkopplare stå på **5CH**. Du kan dock ställa omkopplaren i ett annat läge om så önskas.

5CH:

Alla högtalare används i detta läge.

4CH:

I detta läge är mitthögtalaren bortkopplad.

Mittkanalsljudet återges då via de främre högtalarna (höger och vänster kanaler).

2CH:

Välj detta läge om du inte vill använda mitthögtalarna och surroundhögtalarna. I detta läge mixas ljudet från alla kanaler och återges via de främre högtalarna (höger och vänster kanaler) med virtuellt surroundljud. [Surroundhögtalarna återger samma ljud som de främre högtalarna (med undantag av testtonen).]

14 Likströmsingång (DC IN)

Anslut den medföljande nätdaptern till denna anslutning.

15 Digitala ingångar (DIGITAL INPUTS)

Du kan ansluta digital utrustning med digitala utgångar till dessa ingångar.

Signaler som tas emot via **OPTICAL**-ingången har prioritet över signaler som tas emot via **COAXIAL**-ingången. Om båda ingångar tar emot signaler, har signalen från **OPTICAL**-ingången prioritet.

OPTICAL:

Anslut en extern apparat (en DVD/CD-spelare, MD-spelare, ett videospel e.likn.) med en optisk digital utgång till denna ingång med den medlevererade optiska anslutningskabeln.

COAXIAL:

Anslut en extern apparat (en DVD/CD-spelare, MD-spelare, ett videospel e.likn.) med en koaxial digital utgång till denna ingång med den medlevererade anslutningskabeln med RCA-stiftkontakter.

16 Analog ingångar (ANALOG INPUTS)

Anslut de analoga utgångarna på en annan apparat till dessa ingångar med de medlevererade kablarna med ministiftkontakt eller liknande kabel med stift-ministiftkontakter som säljs separat.

FRONT:

Anslut de analoga stereoutgångarna på en annan apparat till denna ingång med den medlevererade ministiftkabeln.

Om ett ljudkort med fyra utkanaler i en dator ansluts, skall du ansluta de främre utgångarna på kortet till denna ingång.

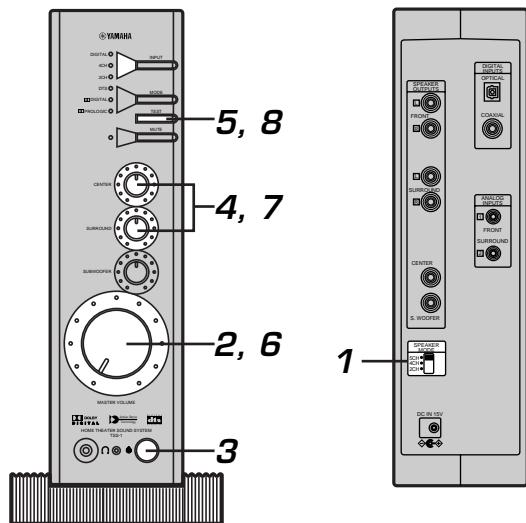
SURROUND:

Om ett ljudkort med fyra utkanaler i en dator ansluts, skall du ansluta den bakre utkanalen på kortet till denna ingång.

Balansering av högtalarna

Dessa anvisningar visar hur du balanserar ljudet mellan de främre, mitt- och surroundhögtalarna med hjälp av den inbyggda testtongeneratort. Justeringen skall göras så att ljudstyrkenivån hos respektive högtalare är den samma när du befinner dig vid lyssningsplatsen. Balanseringen är viktig för att uppnå maximala prestanda med de inbyggda DTS- och Dolby Digital-avkodarna.

* När justeringen är klar, kan du reglera den allmänna ljudstyrkenivån i systemet med **MASTER VOLUME**-kontrollen.



1 Ställ **SPEAKER MODE**-omkopplaren på "5CH" ifall den står i ett annat läge.

2 Vrid **MASTER VOLUME**-kontrollen helt moturs för att sänka ljudstyrkan helt.

3 Slå på strömmen till systemet.

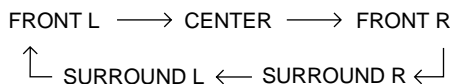
4 Ställ **CENTER**- och **SURROUND**-nivåkontrollerna i deras mittlägen.



5 Tryck på **TEST**-tangentsen.

6 Justera huvudljudstyrkan till önskad nivå.

* Testtonen (s.k. skårt brus) hörs från respektive högtalare i två sekunder var i följande ordning.



7 Justera **CENTER**- och **SURROUND**-nivåkontrollerna när du lyssnar till testtonen från de olika högtalarna så att ljudstyrkenivåerna för de olika högtalarna är ungefär den samma som nivå i de främre högtalarna.

* Justera även höger/vänster balansen i de främre högtalarna och surroundhögtalarna genom att ändra på högtalarnas placeringar.

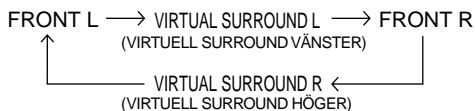
8 Tryck en gång till på **TEST**-tangentsen när justeringen är klar.

* Testtonen tystnar.

Anmärkning

• Om **SPEAKER MODE**-omkopplaren står på "4CH": Testtonen för mittkanalen återges via den högra och vänstra främre högtalaren samtidigt.

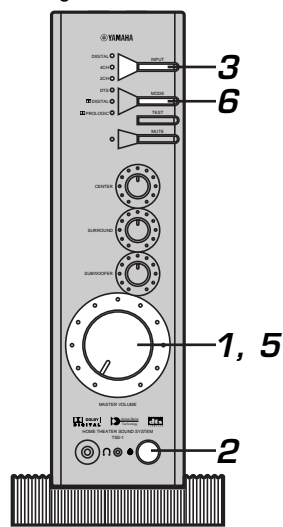
Om **SPEAKER MODE**-omkopplaren står på "2CH": Testtonen för den högra och vänstra surroundkanalen återges via den högra respektive vänstra främre högtalaren samtidigt. Ordningen för återgivningen av testtonen är enligt följande.



• Justera subwoofernivån när du lyssnar till avspelning av ett program.

Avspelning av en källa

Detta avsnitt förklarar hur du slår på strömmen till systemet och väljer en ingångskälla. Innan du slår på strömmen till systemet skall du slå på strömmen till den externa avspelningsutrustningen.



1 Vrid **MASTER VOLUME**-kontrollen helt moturs för att sänka ljudstyrkan helt.

2 Slå på strömmen till systemet.

3 Välj önskad ingång genom att trycka på **INPUT**-tangentsen.

* Indikatorn för den valda källan tänds.

* Se avsnittet "Reglage & anslutningar" på sid 6 för mer information om de olika ingångskällorna.

4 Starta avspelningen på den externa utrustningen.

5 Justera ljudstyrkan till önskad nivå.

6 Välj ett önskat surroundläge.

* Se avsnittet "Reglage & anslutningar" på sid 6 för mer information om de olika surroundlägena.

Felsökning

Se schemat nedan om systemet verkar fungera fel. Koppla ur nätadaptern och kontakta en auktoriserad YAMAHA-återförsäljare eller serviceverkstad om problemet inte kan rättas till med dessa anvisningar eller om felet inte finns upptaget i listan.

Problem	Orsak	Åtgärd
Inget ljud från högtalarna eller subwooferhögtalaren.	Nätadaptern är inte ordentligt ansluten till ett eluttag.	Skjut in nätadapterns stickkontakt ordentligt i eluttaget.
	Förstärkaren står i beredskapsläget.	Tryck på strömbrytaren för att slå på strömmen. (Strömindikatorn tänds.)
	Felaktiga eller otillräckliga anslutningar.	Gör om anslutningarna.
	Fel ingångsläge har valts.	Välj önskad ingång genom att trycka på INPUT-tangenten.
	Ljudstyrkeinställningen är låg.	Vrid MASTER VOLUME-kontrollen medurs för att höja ljudstyrkenivån.
	Ljuddämpningen (MUTE) är inkopplad. (Indikatorn till vänster om MUTE-tangenten lyser.)	Tryck på MUTE-tangenten för att koppla ur ljuddämpningen.
Inget ljud från surroundhögtalarna.	SURROUND-nivåkontrollen står i minimiläget.	Vrid SURROUND-kontrollen medurs för att höja nivån.
	Surroundläget är urkopplat.	Välj önskat surroundläge genom att trycka på MODE-tangenten. Om det inte går att välja något läge, skall du ändra ingångskällan till en annan som kodats med DTS, Dolby Digital eller Dolby Prologic.
Inget ljud från mitthögtalaren.	CENTER-nivåkontrollen står i minimiläget.	Vrid CENTER-nivåkontrollen medurs för att höja nivån.
	SPEAKER MODE-omkopplaren på förstärkarens bakpanel står på "2CH" eller "4CH".	Ställ SPEAKER MODE-omkopplaren på "5CH".
	Surroundläget är urkopplat.	Välj önskat surroundläge genom att trycka på MODE-tangenten. Om det inte går att välja något läge, skall du ändra ingångskällan till en annan som kodats med DTS, Dolby Digital eller Dolby Prologic.
Inget ljud från mitt- eller surroundhögtalarna fastän DTS- eller <input checked="" type="checkbox"/> DIGITAL-indikatorn lyser svagt.	När en indikator lyser svagt betyder det att kodade signaler i det indikerade formatet (DTS eller Dolby Digital) tas emot av systemet. I detta fall mixas signalerna till 2 kanaler och återges endast via de främre högtalarna.	Tryck på MODE-tangenten och välj rätt surroundformat. Indikatorn lyser starkt, och mitt- och surroundhögtalarna återger ljudet, eftersom surroundformatet är kodat.
Fastän en Dolby Digital-kodad signal tas emot av systemet, så lyser <input checked="" type="checkbox"/> DIGITAL-indikatorn svagt och <input checked="" type="checkbox"/> PROLOGIC-indikatorn starkt.	Ett 2-kanaligt Dolby Digital-kodat program tas emot av systemet.	Om programkällan är kompatibel med 5.1 kanaler, skall du välja "5.1-kanalläget" på spelaren som sänder signaler till systemet. (Om programkällan inte är kompatibel med 5.1 kanaler, kan du istället lyssna på programmet i flerkanalsläget genom att använda <input checked="" type="checkbox"/> PROLOGIC-surroundläget.)
Distorsion i ljudet.	Signalnivån på signalen som tas emot är för hög.	Sänk volymen på den anslutna ljudkällan.
Störningar uppstår.	Signalnivån på signalen som tas emot är för låg.	Höj volymen på den anslutna ljudkällan.
	Felaktiga eller otillräckliga anslutningar.	Gör om anslutningarna.
	Förstärkaren är för nära bildskärmen.	Ställ förstärkaren på längre avstånd från bildskärmen.

Tekniska data

Förstärkare

Uteffekt per kanal

..... Satellithögtalare: 6 W (1 kHz, 4 Ω, 10% THD)
..... Subwooferhögtalare: 18 W (100 Hz, 4 Ω, 10% THD)

Inkänslighet 200 mV

Hörlurar, utnivå/utimpedans

..... 450 mV/30 Ω (1 kHz, 200 mV)

Frekvensåtergivning 40 Hz–20 kHz

Mått (B x H x D) 113 mm x 272 mm x 206 mm

Vikt 1,5 kg

Satellithögtalare

Typ Fullområdeshögtalare
..... Magnetiskt avskärmade

Drivenhet 5 cm grankon

Impedans 4 Ω

Mått (B x H x D) 70 mm x 95 mm x 118 mm

Vikt 0,4 kg

Subwooferhögtalare

Typ Active Servo subwooferhögtalare

Drivenhet 13 cm baskon
..... Magnetiskt avskärmad

Impedans 4 Ω

Mått (B x H x D) 220 mm x 224 mm x 222 mm

Vikt 3,4 kg

Tillbehör

Nätadapter (PA-SR601) x 1
Stereokabel med minikontakter (1,8 m) x 2
Optisk fiberkabel (1,0 m) x 1
Kabel med RCA-stiftkontakter (1,8 m) x 1
Fot för förstärkaren x 1
Skruv x 2
Dyna x 24
Fäste x 1

* Rätten till ändringar förbehålles.

Precauzioni

Leggere le seguenti precauzioni di impiego prima dell'uso. YAMAHA non sarà tenuto responsabile di nessun danneggiamento e/o ingiuria causata dal mancato perseguimento delle seguenti precauzioni.

- Per scollegare il trasformatore CA dalla presa, tirare la spina e non il cavo stesso.
- Se si prevede di non usare questo sistema per qualche tempo, scollegare il trasformatore CA dalla presa CA.
- Scollegare sempre il trasformatore CA dalla presa CA prima di eseguire qualsiasi collegamento.
- YST-M101 non contiene delle parti che possono essere riparate da parte dell'utente. Per qualsiasi operazione di manutenzione rivolgersi al rivenditore Yamaha.
- **Non aprite mai le casse.** Se materiali estranei penetrano all'interno contattare il rivenditore e non usare il sistema. Altrimenti potrebbero verificarsi incendi.
- Non esporre questo sistema a estremi di temperatura, luce solare diretta, polvere eccessiva, umidità o vibrazioni.
- Posizionate il modello YST-M101 su una superficie piana e stabile. Non far cadere, né impiegare troppa forza nell'uso dei comandi, né mettere degli oggetti pesanti sugli stessi.
- Non appoggiare piccoli oggetti in metallo su questo sistema. In caso contrario, l'oggetto potrebbe cadere causando una possibile ingiuria.
- Dato che l'unità amplificatore ha un amplificatore incorporato, il calore si irradia dalla fessura di ventilazione. Mettete l'unità amplificatore distante dalle mura, creando uno spazio superiore di almeno 20 cm, 10 cm posteriormente e da entrambe le parti dell'unità amplificatore.
Inoltre, non collocatela in modo che il pannello posteriore si trovi in direzione del pavimento un'altra superficie e non coprite l'unità amplificatore con un giornale, una tovaglia, una tenda, ecc. in modo da non ostruire la radione di calore.
Se aumenta la temperatura all'interno dell'unità amplificatore, si può verificare un incendio, danni materiali all'unità e/o lesioni personali.
- Non posizionare mai i seguenti oggetti sul sistema:
Vetro, porcellana, ecc.
Se un vetro ecc., dovesse cadere per via delle vibrazioni e rompersi, le schegge potrebbero causare delle lesioni personali.
Una candela accesa, ecc.
Se la candela dovesse cadere per via delle vibrazioni, la stessa potrebbe cadere causando un incendio e delle lesioni personali.
Un vaso contenente dell'acqua
Se il vaso dovesse cadere a causa delle vibrazioni e l'acqua si dovesse rovesciare, il sistema potrebbe risultarne danneggiato, e/o o potreste risultare colpiti da shock elettrico.
- Per proteggere questo sistema, evitare feedback da microfoni, uscite continue ed eccessive da strumenti musicali elettronici e distorsioni di segnale eccessive.
- Se il sistema viene posizionato vicino ad una luce fluorescente o al neon, si può sentire un leggero ronzio. In questo caso allontanare il sistema dalle lampade.
- Anche se il sistema è dotato di schermatura magnetica, tenere i floppy disk e i nastri lontani dallo stesso.
- Evitare le fonti di ronzio (trasformatori, motori, ecc.). Per evitare incendi o scosse elettriche, non esporre alla pioggia e all'acqua.
- Non impiegare forza sugli interruttori, sulle manopole o sui cavi. Quando si sposta il sistema, prima bisogna spegnere la corrente, poi scollegare il trasformatore CA dalla presa CA e i cavi dai componenti collegati.
- Collocare sempre il comando MASTER VOLUME nella posizione a sinistra prima di iniziare la riproduzione della fonte audio: girare il comando gradualmente dopo l'inizio della riproduzione.
- **Assicuratevi di utilizzare l'adattatore a CA (PA-SR601) incluso in questo sistema. In caso contrario, potreste causare un incendio o danni a questo sistema.**

Modo di attesa

Quando si spegne quest'unità premendo il commutatore di corrente, l'unità consuma una piccola quantità di corrente. Questo stato è chiamato modo di attesa. L'alimentazione viene interrotta completamente dalla linea CA solo quando è scollegato il trasformatore CA.

Il sistema è stato dotato di una schermatura magnetica, ma se viene posizionato troppo vicino ad un televisore o un computer, i colori possono cambiare. In tal caso, allontanare il sistema dal televisore o dal computer.

Indice

Precauzioni	1	Controlli e collegamenti	6
Disimballaggio	2	Regolazione del bilanciamento degli altoparlanti	8
Caratteristiche	2	Riproduzione di una fonte	8
Montaggio del sistema	4	Soluzione di problemi	9
Collegamenti	6	Caratteristiche tecniche	10

Disimballaggio

Dopo il disimballaggio, controllate che le seguenti parti siano contenute.

- **Unità amplificatore**
- **Altoparlante satellitare x 5**
 - Altoparlante satellitare con un cavo lungo 3 m x 3
 - Altoparlante satellitare con un cavo lungo 7 m x 2
- **Subwoofer**
- **Accessori**
 - Adattatore CA (PA-SR601) x 1
 - Cavo a presa mini stereo x 2
 - Cavo a fibre ottiche x 1
 - Cavo a presa pina RCA x 1
 - Piedistallo per unità amplificatore
 - Vite x 2
 - Imbottitura x 24
 - Dispositivo di fissaggio x 1

Caratteristiche

Sistema canale multiplo surround per teatro casalingo, divertimento gioco e PC DVD.

- **Combinazione dell'unità amplificatore ,cinque altoparlanti satellitari e subwoofer**
- **Dolby Digitale e decoder DTS**
(Fate riferimento alla pagina successiva.)
- **5,1- Sistema Channel Full-Scale per DVD intrattenimento cinematografico**
- **5,1-Ch Full-Scale, 4,1-Ch (gioco surround) e Stereo (surround virtuale) Modi degli altoparlanti**
- **L'esclusiva tecnologia attiva servo della Yamaha per una potente risposta dei bassi**
- **1 terminale ottico e 1 terminale coassiale digitale**
- **Due terminali d'entrata analogici (canale frontale/posteriore)**
- **Generatore a test di tono per un impostazione accurata degli altoparlanti**

Benvenuti nell'eccitante mondo di intrattenimento cinematografico digitale.

Il TSS-1 è un compatto, ma completo ed avanzato sistema sonoro da teatro domestico che vi porta nel fantastico mondo dell'intrattenimento sonoro del surround digitale. Alcune delle parti tecnologicamente avanzate di questo sistema potrebbero non risultarvi familiari, ma esse risultano essere di facile utilizzo. Una fusione di arte e tecnologia come possono essere Dolby Digital e DTS possono apportare la stessa esperienza audio delle migliori sale cinematografiche di tutto il mondo a casa vostra. Prendetevi il tempo necessario per leggere qualcosa in più riguardo a questo sistema che porta la sala cinematografica direttamente a casa vostra.

■ Dolby Surround

Dolby Surround usa quattro canali discreti e cinque altoparlanti per riprodurre gli effetti sonori realistici e dinamici: due canali principali (sinistro e destro), un canale centrale per i dialoghi e un canale posteriore per gli effetti sonori speciali. Il canale posteriore riproduce il suono all'interno di una limitata gamma di frequenza. La maggior parte delle videocassette e dei dischi laser sono dotati della codifica Dolby Surround, così come numerose trasmissioni TV e via cavo. Il decodificatore Dolby Pro Logic incorporato in questo apparecchio utilizza un sistema di elaborazione digitale del segnale che stabilizza ogni canale in modo da fornire un posizionamento sonoro ancora più accurato di quello disponibile con i convenzionali elaboratori analogici.

■ Dolby Digital *

Dolby Digital è un sistema per suono surround digitale che fornisce l'audio a più canali completamente indipendenti. Dolby Digital fornisce cinque canali a gamma completa in una configurazione che viene talvolta definita come "3/2": tre canali anteriori (sinistro, centrale e destro) e due canali surround. È anche fornito un sesto canale per gli effetti di soli bassi che emette gli effetti LFE (low frequency effect = effetti a bassa frequenza), o effetti dei bassi che sono indipendenti dagli altri canali. (Questo canale è denominato "canale LFE".) Questo canale viene contato come 0.1, e di conseguenza ne deriva la terminologia di 5.1 canali in totale.

L'ampia gamma dinamica sonora riprodotta dai cinque canali a gamma completa e il preciso orientamento del suono tramite l'elaborazione digitale del suono forniscono agli ascoltatori una eccitazione e un realismo che finora non erano mai stati provati.

■ DTS (Digital Theater System) Digital Surround **

Il DTS è stato studiato per sostituire con sei canali discreti di colonne sonore digitali le colonne sonore analogiche dei film e ora è installato in molte sale cinematografiche in tutto il mondo. Il sistema di riproduzione digitale DTS, con i suoi sei canali discreti di superbo audio digitale, ha cambiato il modo in cui si vedevano i film nelle sale cinematografiche. A seguito di intense ricerche, la tecnologia DTS ha reso possibile lo sviluppo di un simile sistema di tecnologia a codifica e decodifica discreta utilizzabile nelle case, per l'intrattenimento musicale con l'audio surround.

Il DTS Digital Surround è un sistema a codifica e decodifica che fornisce sei canali di audio di qualità superiore, a 20 bit. Tecnicamente si tratta di 5.1 canali, cioè di 5 canali a gamma completa (sinistro, centrale, destro e due surround)

più un canale per il subwoofer (LFE, contato come "0.1"). È compatibile con le configurazioni a 5.1 altoparlanti attualmente disponibili per i sistemi ad uso domestico di tipo cinematografico.

Nota

- Quando riproducete un CD ordinario in questo sistema seguendo la riproduzione di un CD o di un LD codificato con DTS, alcune operazioni, come ad esempio l'azzeramento dei modi di entrata, potrebbero esse re richieste.
- Anche se collegato a questo sistema con una connessione digitale, alcuni riproduttori CD, LD, e DVD potrebbero compromettere il buon funzionamento del sistema nel decodificare il DTS o potrebbero produrre un brusio. Ciò si verifica perché alcuni dati digitali d'uscita da un riproduttore di questo tipo, risultano errori di dati decodificati che causano solamente un lieve cambiamento nella risposta del volume o della frequenza nel suono digitale normale.
- Quando si verifica un errore nell'uscita dati durante la riproduzione di un LD o CD codificato con DTS, la riproduzione potrebbe risultare disturbata. Se ciò dovesse accadere, fermate la riproduzione e riaccendete il riproduttore.
- Quando i segnali di suono digitale dal computer sono riprodotti, errori nei segnali ONDA, etc. potrebbero verificarsi sotto forma di brusio o difetto di riproduzione.



Tillverkad under licens från Dolby Laboratories. "Dolby", "Pro Logio" och dubbel-D-symbolen är varumärken som tillhör Dolby Laboratories. Konfidentiella opublicerade verk. ©1992—1997 Dolby Laboratories, Inc. Samtliga rättigheter förbehålles.



Tillverkas på licens från Digital Theater Systems, Inc. USA-patent nr. 5.451.942 och andra världsomfattande patent har erkänts eller är under behandling. "DTS", "DTS Digital Surround" är varumärken för Digital Theater Systems, Inc. Copyright 1996 Digital Theater Systems, Inc. Alla rättigheter förbehålles.

Impostazione del sistema

Questo sistema include un'unità amplificatore, cinque altoparlanti satellitari e un subwoofer.

I tre altoparlanti satellitari con una corda lunga 3 m sono utilizzati per gli altoparlanti frontali e per quello centrale.

I due altoparlanti satellitari con una corda lunga 7 m sono utilizzati per gli altoparlanti surround.

Il ruolo dei rispettivi altoparlanti

Gli altoparlanti frontali sono utilizzati per riprodurre il canale sonoro principale. Gli altoparlanti posteriori sono utilizzati per l'emissione dei suoni di effetto, l'altoparlante centrale viene usato per l'emissione del sonoro centrale (dialogo, o altro).

Il subwoofer è utilizzato per la riproduzione di suoni a basse frequenze dai canali frontale, centrale e surround. Il subwoofer riproduce anche i suoni provenienti dal canale subwoofer quando una fonte è riprodotta con DTS o Dolby Digital decodificato.

Posizionamento raccomandato dell'altoparlante

Prima di effettuare i collegamenti, posizionare tutti gli altoparlanti del sistema nelle rispettive appropriate posizioni. Il posizionamento degli altoparlanti è assai importante perché da ciò dipende la qualità sonora dell'intero sistema.

Posizionare gli altoparlanti in relazione alla propria posizione di ascolto, e seguendo le istruzioni sotto.

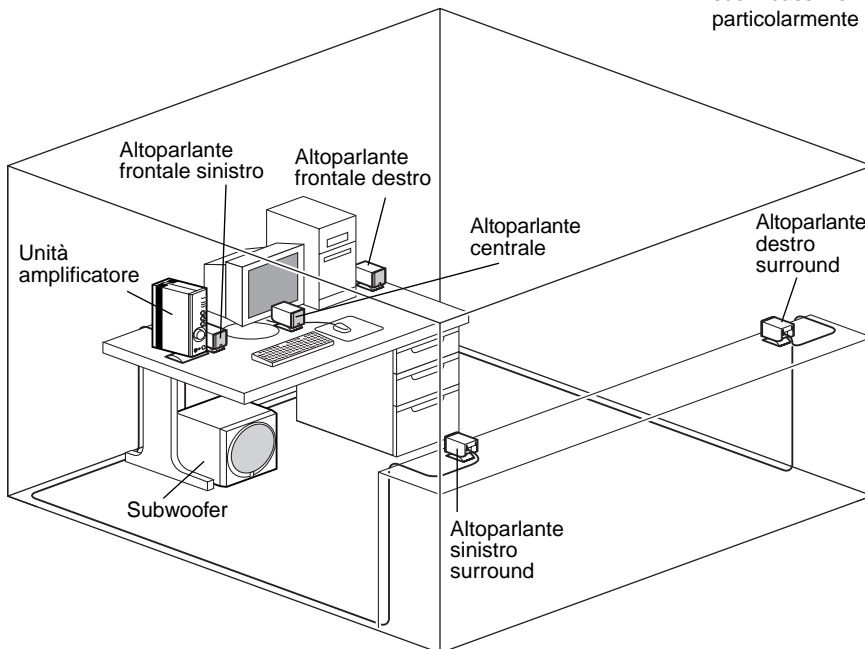
* Gli altoparlanti satellitari possono venire montati su un muro. (Vedi pagina successiva.)

Altoparlanti frontali : Da entrambe le parti e approssimativamente alla stessa altezza del televisore (o monitor del computer).

Altoparlanti surround : Dietro alla vostra posizione d'ascolto o da entrambe le parti della sala d'ascolto.

Altoparlante centrale: Esattamente al centro rispetto ai due altoparlanti frontali.
* L'altoparlante centrale può essere montato sul monitor come mostrato nella pagina successiva.

Subwoofer : Sul pavimento. La posizione del subwoofer non è critica perché i suoni bassi non sono particolarmente direzionali.

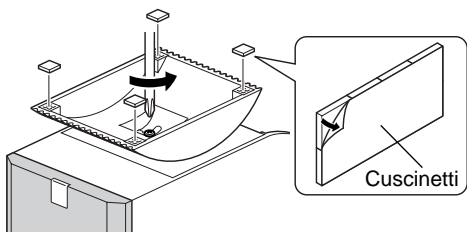


■ Regolazione dell'angolo frontale degli altoparlanti satellitari

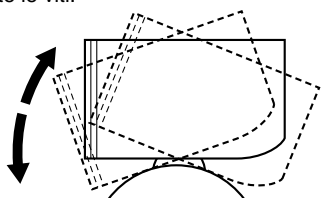
L'angolo frontale degli altoparlanti satellitari può essere regolato come mostrato di seguito.

1 Allentate le viti nella parte bassa del supporto dell'altoparlante.

* Applicatevi i cuscinetti antiscivolo ai quattro angoli nella parte bassa del supporto per ottenere una maggiore stabilità.



2 Fate scorrere l'altoparlante nella posizione che preferite e riavvitate le viti.



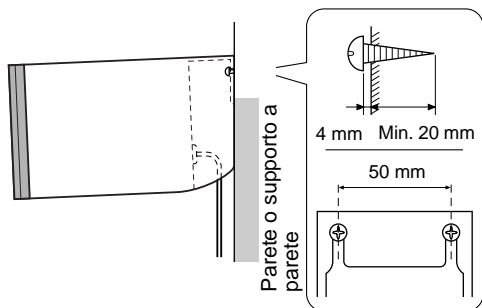
■ Gli altoparlanti satellitari possono venire montati su un muro

Gli altoparlanti satellitari possono anche venire montati su un muro.

Avvitare le viti ad una parete, o supporto a parete, ben solida, come indicato in figura, e appendere i fori della staffa di montaggio alla parte sporgente delle viti.

* Assicuratevi che le viti siano bene fissate nei fori della staffa di montaggio.

Vite autofilettante (4 mm)
(Disponibile presso un qualunque negozio di ferramenta)



Avvertimento:

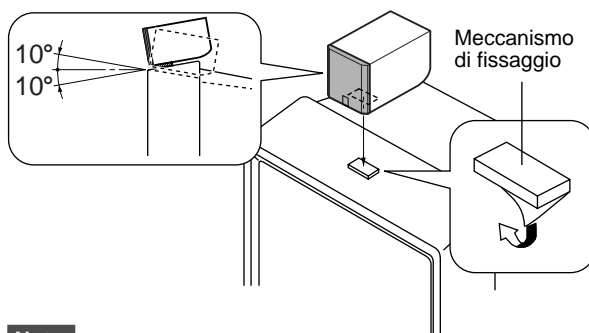
- Ogni altoparlante pesa 0,4 kg. Non montarli quindi su pareti di compensato sottile, o su pareti di materiale soffice. In caso di montaggio su pareti di questo genere, le viti potrebbero scivolare fuori dalla superficie e gli altoparlanti potrebbero quindi cadere, con conseguenti possibili danni agli altoparlanti stessi o lesioni fisiche alle persone.

- Non installare gli altoparlanti alla parete con chiodi, adesivi, o altri materiali non rigidi. L'uso prolungato e le conseguenti vibrazioni possono infatti avere come conseguenza la caduta degli altoparlanti.
- Per evitare incidenti risultanti dall'inciampare nei cavi degli altoparlanti lasciati liberi, si consiglia di fissarli adeguatamente alla parete.

■ Montaggio dell'altoparlante centrale sulla sommità del monitor

Quando posizionate l'altoparlante sopra il televisore, rimuovete il supporto dall'altoparlante e mettete il supporto fornito nella parte bassa dell'altoparlante e sulla parte alta del monitor per prevenire un'eventuale caduta dell'altoparlante.

* Non montate l'altoparlante sul monitor con un'inclinazione di superficie di livello maggiore di 10 gradi.



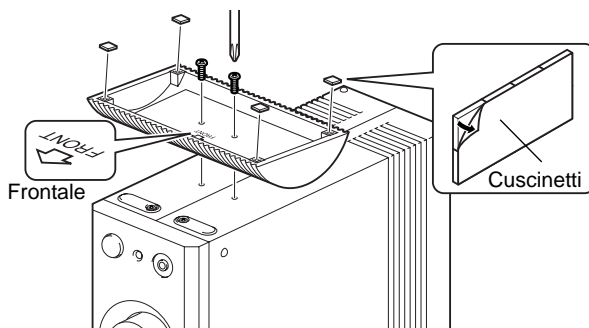
Nota

Sebbene questo altoparlante sia magneticamente schermato, può comunque influire sul funzionamento di un monitor, a seconda del tipo del monitor, o del piazzamento dell'altoparlante rispetto al monitor. In tali casi, posizionare l'altoparlante lontano dal monitor, in modo da evitare disturbi nella ricezione delle immagini del monitor.

■ Montaggio dell'unità amplificatore sul supporto fornito

Per ottenere stabilità, è raccomandabile montare l'unità amplificatrice sul supporto fornito con le viti in dotazione come mostrato di seguito.

* Applicatevi i piedini antiscivolo ai quattro angoli nella parte bassa del supporto per ottenere una maggiore stabilità.



Collegamenti

(Fate riferimento alla figura **1** all'interno della copertina anteriore.)

Attenzione: Collegare l'unità amplificatore e gli altri componenti solo dopo aver completato tutti i collegamenti.

A: Collegare i tre altoparlanti satellitari con un cavo lungo 3 m a tutti i terminali **FRONTALE L (sinistro), R (destra)** e **CENTER (centrale)**. Collegare i due altoparlanti satellitari con un cavo lungo 7 m a tutti i terminali **SURROUND L** e **R**. Collegare il subwoofer al terminale **SUBWOOFER**.

B: Collegare le unità esterne audio/video (un personal computer, un riproduttore di videogames, un riproduttore DVD/CD portatile, un videoregistratore, ecc. che inviano segnali di riproduzione a questo sistema) a questi terminali.

Precauzioni

- Quando mettete gli adattatori CA forniti sul tavolo, ecc., assicuratevi di fissarli, al tavolo ecc. per prevenirne la caduta. Se l'adattatore cade, potrebbe causare un'ingiuria su persona o danneggiamento all'adattatore e/o altro materiale.
- I terminali di USCITA DEGLI'ALTOPARLANTE sul retro dell'unità amplificatore, sono fatti appositamente per collegarvi gli altoparlanti forniti. Non collegare mai questi terminali con un amplificatore AV o un amplificatore a corrente, dato che ciò potrebbe causare un malfunzionamento, un incendio e/o un serio danno al sistema.

Controlli e collegamenti

(Fate riferimento alla figura **2** all'interno della copertina anteriore.)

1 Tasto selettore INPUT e indicatori

Premete questo tasto ripetutamente per selezionare un modo d'entrata tra **DIGITAL**, **4CH** e **2CH**. Il modo attuale è mostrato dall lampeggiare dell'apposito indicatore.

DIGITAL:

Selezionate questo modo per riprodurre segnali ricevuti ai terminali **OPTICAL** o **COAXIAL** nel pannello posteriore. Quando entrambi i terminali **OPTICAL** e **COAXIAL** ricevono dei segnali, i segnali ai terminali **OPTICAL** vengono selezionati.

4CH:

Selezionate questo modo per riprodurre i segnali ricevuti dai terminali d'entrata analogica **FRONT** e **SURROUND** nel pannello posteriore nel modo a 4 canali di suono surround. (L'altoparlante centrale non viene utilizzato in questo modo.)

2CH:

Selezionate questo modo per riprodurre segnali ricevuti dal terminale dell'entrata analogica situato nella parte posteriore del pannello **FRONT**. (Il modo **DIGITAL PROLOGIC** surround può essere utilizzato in questo modo.)

2 Tasto selettore MODE e indicatori

Premete questo tasto ripetutamente per selezionare il modo surround desiderato tra **DTS**, **DIGITAL**, **PROLOGIC** e **disattivato**. Il modo attuale è mostrato dall lampeggiare dell'apposito indicatore. Quando nessun modo è selezionato, nessun indicatore lampeggia.

* Se un segnale codificato con DTS o Dolby Digital viene entrato quando il modo surround è spento, l'indicatore corrispondente si accende leggermente.

DTS:

Selezionate questo modo per riprodurre una fonte d'entrata con un DTS decodificato.

Questo modo può essere selezionato solamente quando il segnale d'entrata è codificato con DTS e il modo d'entrata è impostato su **DIGITAL**.

DIGITAL:

Selezionate questo modo per riprodurre una fonte d'entrata con un Dolby Digital decodificato.

Questo modo può essere selezionato solamente quando il segnale d'entrata è codificato con Dolby Digital e il modo d'entrata è impostato su **DIGITAL**.

PROLOGIC:

Selezionate questo modo per riprodurre una fonte d'entrata con un Dolby Prologic. Questo modo non può essere selezionato quando il modo d'entrata è impostato su **4CH**.

3 Tasto TEST

Premete questo tasto per riprodurre un test di tono dagli altoparlanti. Un test di tono viene riprodotto da ogni altoparlante come mostrato di seguito. Il test di tono è utilizzato per regolare il bilanciamento del volume tra tutti gli altoparlanti.

FRONT L → CENTER → FRONT R
↑ SURROUND L ← SURROUND R ←

* Non tutti gli altoparlanti riproducono il test di tono a seconda dell'impostazione dell'interruttore **SPEAKER MODE (13)**.

4 Tasto MUTE e indicatore

Premete questo tasto per fermare temporaneamente l'uscita del suono. Quando questa funzione è attiva, l'indicatore si accende. Premete nuovamente questo tasto per ristabilizzare l'uscita del suono.

* L'uscita del suono è anche ripristinata dal cambiamento di stato di questo sistema tra il modo stand by e i modi di accensione, e, cambiando il modo d'entrata o il modo surround.

5 Livello di controllo CENTER

Questo comando è utilizzato per regolare il livello del suono riprodotto dall'altoparlante centrale. Girare il comando in senso orario per aumentare il livello o in senso antiorario per diminuire il livello.

6 Livello di controllo SURROUND

Questo comando è utilizzato per regolare il livello del suono riprodotto dagli altoparlanti surround. Girate questo comando in senso orario per aumentare il livello, o in senso antiorario per diminuire il livello.

7 Livello di controllo SUBWOOFER

Questo comando è utilizzato per regolare il livello del suono riprodotto dal subwoofer. Girare il comando in senso orario per aumentare il livello o in senso antiorario per diminuire il livello.

8 Comando MASTER VOLUME

Questo comando è utilizzato per regolare l'intero livello di questo sistema del volume. Girare il comando in senso orario per aumentare il livello o in senso antiorario per diminuire il livello.

9 Presa per cuffie

Le cuffie stereo possono essere collegate a questa mini presa per ascolto privato. L'uscita del suono dagli altoparlanti sparisce quando le cuffie sono collocate nelle prese.

Suoni da tutti i canali sono mixati in 2 canali e riprodotti dagli altoparlanti.

10 Indicatore di alimentazione

Si illumina all'accensione di questo sistema.

11 Interruttore di alimentazione

Ogni volta che premete questo tasto lo stato del sistema tra il modo standby e il modo di accensione cambia. Quando è acceso, l'indicatore di potenza (10) si accende.

* Notate che questo sistema utilizza un minimo ammontare di potenza quando nel modo standby.

12 SPEAKER OUTPUTS**FRONT:**

Collegate un altoparlante satellitare con una corda di 3 m al terminale L e un altro al terminale R. Essi vengono utilizzati come altoparlanti frontali.

SURROUND:

Collegate un altoparlante satellitare con una corda di 7 m al terminale L e un altro al terminale R. Essi vengono utilizzati come altoparlanti surround.

CENTRALE:

Collegate un altoparlante satellitare con una corda di 3 m a questo terminale. E' utilizzato come altoparlante centrale.

S. WOOFER:

Collegate il subwoofer a questo terminale.

13 Tasto SPEAKER MODE

Abitualmente, impostate questo tasto su **5CH**.

A seconda delle vostre preferenze, impostate questo tasto in un'altra posizione.

5CH:

Tutti gli altoparlanti sono utilizzati in questo modo.

4CH:

Selezionate questa posizione quando non utilizzerete l'altoparlante centrale. In questo modo, il suonocentrale viene riprodotto dagli altoparlanti L e R.

2CH:

Selezionate questa posizione quando non utilizzerete gli altoparlanti centrali e surround. In questo modo, i suoni di tutti i canali sono mixati e riprodotti dagli altoparlanti frontali L e R come suoni surround virtuali. [Gli altoparlanti surround riproducono gli stessi suoni degli altoparlanti frontali (a eccezione del testo di tono).]

14 Connettore DC IN

Collegare il trasformatore CA in dotazione a questo connettore.

15 DIGITALI INPUTS

Le unità esterne che hanno segnali di uscita digitali possono essere collegate a questi terminali.

I segnali d'entrata ricevuti dal terminale **OPTICAL** sono prioritari rispetto ai segnali dei terminali **COAXIAL**. Quando entrambi i terminali ricevono segnali, i segnali al terminale **OPTICAL** sono riprodotti con questo sistema.

OPTICAL:

Collegate un'unità esterna (un riproduttore DVD/CD, un registratore MD, un riproduttore di video game, ecc.) che abbia un terminale d'uscita a segnale a presa pin digitale a questo terminale utilizzando il cavo a presa pin fornito.

COAXIAL:

Collegate un'unità esterna (un riproduttore DVD/CD, un registratore MD, un riproduttore di video game, ecc.) che abbia un terminale d'uscita a segnale coassiale digitale a questo terminale utilizzando il cavo coassiale fornito.

16 ANALOG INPUTS

Collegate i terminali d'uscita a segnale analogico di un'unità esterna a questi terminali a minipresa utilizzando i cavi a presa minuscola forniti o a cavi a presa a pin minuscolo disponibili in commercio.

FRONT:

Collegate un terminale d'uscita a segnale analogico (stereo) di un'unità esterna a questa unità utilizzando il cavo a presa mini fornito. Quando collegate una scheda sonora ad un computer che abbia quattro terminali a canale d'uscita, collegate il terminale a canale d'uscita frontale della scheda sonora a questo terminale.

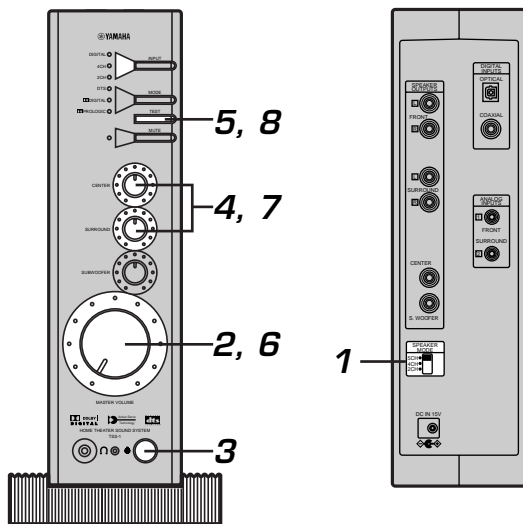
SURROUND:

Quando collegate una scheda sonora ad un computer che abbia quattro terminali a canale d'uscita, collegate il terminale a canale d'uscita posteriore della scheda sonora a questo terminale.

Regolazione del bilanciamento degli altoparlanti

Questa procedura vi permette di regolare il bilanciamento del livello d'uscita tra gli altoparlanti frontale, centrale, surround e il subwoofer utilizzando il generatore di prova del tono incorporato. Effettuate questa regolazione per fare in modo che ogni livello d'uscita dell'altoparlante diventi quasi come ascoltato dalla posizione d'ascolto. Ciò è importante per un'alta prestazione del decoder DTS incorporato e del decoder Dolby Digital.

* Una volta completata questa regolazione, potete regolare il volume complessivo di questo sistema solamente utilizzando il comando **MASTER VOLUME**.



1 Impostate il tasto **SPEAKER MODE** su "5CH" se è regolato su un'altra posizione.

2 Girate il comando **MASTER VOLUME** completamente in senso orario per abbassare il volume al minimo.

3 Accendete questo sistema.

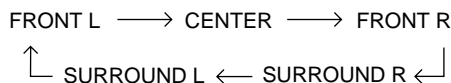
4 Impostate i livelli di comando **CENTER** e **SURROUND** nella posizione centrale.



5 Premete il tasto **TEST**.

6 regolate il volume principale al livello desiderato.

* Sentirete il tono di prova (come un rumore rosa) dai rispettivi altoparlante per circa due secondi nel seguente ordine.



7 Regolate i livelli di controllo **CENTER** e **SURROUND** durante l'ascolto di una serie di test di tono in modo tale che i loro livelli diventino quasi gli stessi del livello dell'amplificatore centrale.

* Regolate il bilanciamento destro-sinistro del volume degli altoparlanti frontali e degli altoparlanti surround modificando la posizione di ogni altoparlante.

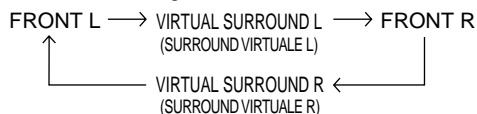
8 Quando completate la regolazione, premete il tasto **TEST**.

* Il test di tono si ferma.

Note

● Quando il tasto **SPEAKER MODE** è impostato su "4CH":
Il test di tono per i canali centrali è riprodotto dagli altoparlanti frontali destro e sinistro allo stesso momento.

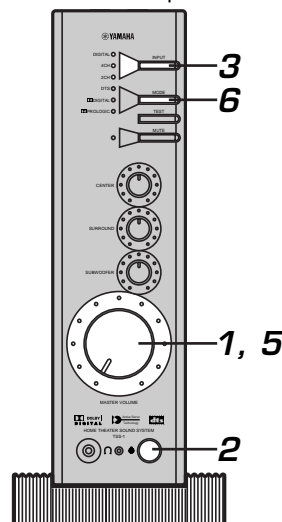
Quando il tasto **SPEAKER MODE** è impostato su "2CH":
Il test di tono per i canali centrali è riprodotto rispettivamente dagli altoparlanti frontali destro e sinistro. L'ordine di uscita del test dei toni è il seguente:



● Regolate il livello del subwoofer ascoltando la riproduzione di un suono proveniente da una fonte.

Riproduzione di una fonte

Questa sezione spiega come accendere il sistema e selezionare le fonti d'entrata. Prima di accendere il sistema, accendete l'unità audio esterna per utilizzarla.



1 Girate il comando **MASTER VOLUME** completamente in senso orario per abbassare il volume al minimo.

2 Accendete questo sistema.

3 Selezionate il modo d'entrata appropriato premendo i tasto di selezione **INPUT**.

* L'indicatore del modo d'entrata selezionato si accende.

* Fate riferimento a "Comandi e connettori" a pagina 6 per dettagli riguardo ai modo d'entrata.

4 Riproducete la fonte s nell'unità esterna.

5 Regolate il volume al livello desiderato.

6 Selezionate un modo surround secondo le vostre preferenze.

* Fate riferimento a "Comandi e connettori" a pagina 6 per dettagli riguardo ai modi surround.

Soluzione di problemi

Fate riferimento al diagramma qui sotto se il sistema non funziona correttamente. Se il problema non è elencato nella lista qui sotto o se le istruzioni fornite non sono di aiuto, scollegare il trasformatore CA e rivolgersi ad un rivenditore YAMAHA autorizzato oppure ad un centro di servizio.

Problema	Causa	Rimedio
Non viene emesso alcun suono dai diffusori o dal subwoofer.	Il trasformatore CA non è collegato correttamente alla presa CA.	Collegare saldamente il trasformatore CA alla presa CA.
	La corrente dell'unità amplificatore è impostata nel modo di attesa (standby).	Accendere premendo il tasto di accensione. (Si illumina l'indicatore di alimentazione.)
	I collegamenti sono difettosi o incompleti.	Rieffettuare il collegamento.
	Il modo d'entrata non è selezionato.	Selezionate il modo d'entrata appropriato premendo il tasto di selezione INPUT.
	L'impostazione del volume è troppo bassa.	Girare il comando POWER/VOLUME in senso orario per aumentare il volume.
	La funzione MUTE è attiva. (L'indicatore nella parte sinistra del tasto MUTE è illuminata.)	Premete il tasto MUTE per cancellare questa funzione.
Non viene emesso alcun suono dagli altoparlanti surround	Il livello di controllo SURROUND è impostato al minimo.	Girare il comando SURROUND del subwoofer in senso orario per aumentare il livello.
	Il modo surround è spento.	Selezionate il modo surround appropriato premendo il tasto di selezione MODE. Se non può essere selezionato nessun modo, cambiate la fonte d'entrata con un'altra che è codificata con DTS Dolby Digital or Dolby Prologic.
Non viene riprodotto nessun suono dall'altoparlante centrale	Il livello di controllo SURROUND è impostato al minimo.	Girate in senso orario il comando di livello CENTER per aumentare il livello.
	Il tasto SPEAKER MODE situato nel pannello posteriore dell'unità amplificatore è impostato su "2CH" o "4CH".	Impostate il tasto SPEAKER MODE "5CH".
	Il modo surround è spento.	Selezionate il modo surround appropriato premendo il tasto di selezione MODE. Se non può essere selezionato nessun modo, cambiate la fonte d'entrata con un'altra che è codificata con DTS Dolby Digital or Dolby Prologic.
Non viene emesso nessun suono dagli altoparlanti centrale e surround sebbene l'indicatore DTS o DIGITAL siano illuminati in maniera opaca.	L'illuminazione opaca di un indicatore significa che i segnali codificati con il corrispondente formato (DTS o Dolby Digital) vengono immessi nel sistema. In questo caso, i segnali sono mixati in 2-canali e riprodotti solamente dagli altoparlanti frontali.	Premete il tasto MODE per il formato surround appropriato. L'indicatore si illumina, e gli amplificatori centrale e surround riproducono suoni dato che il formato surround è decodificato.
Dato che una fonte codificata Dolby Digital viene immessa nel sistema l'indicatore di modo DIGITAL è illuminato in maniera opaca e l'indicatore di modo PROLOGIC sia luminoso.	Una fonte codificata Dolby Digital a 2 canali viene immessa nel sistema.	La fonte d'entrata è compatibile con i canali 5,1, selezionate "5,1-channel mode" sul riproduttore che invia segnali al sistema. (Se la fonte d'entrata non è compatibile con i canali 5,1, potete sfruttare la fonte in un modo multi canale utilizzando il modo surround PROLOGIC.)
Il suono è distorto.	Il livello del segnale inserito è troppo alto.	Abbassare il volume sul componente collegato.
Disturbi.	Il livello del segnale inserito è troppo basso.	Alzare il volume sull'apparecchio collegato.
	I collegamenti sono difettosi o incompleti.	Rieffettuare il collegamento.
	L'unità amplificatore è vicina al monitor.	Sistemate l'unità amplificatore lontano dal monitor.

Caratteristiche tecniche

Unità amplificatore

Uscita potenza per canale

..... Satellite: 6 W (1 kHz, 4 Ω, 10% THD)
..... Subwoofer: 18 W (100 Hz, 4 Ω, 10% THD)

Sensibilità d'entrata 200 mV

Livello d'uscita della presa cuffia/Impedenza d'uscita
..... 450 mV/30 Ω (1 kHz, 200 mV)

Risposta in frequenza da 40 Hz a 20 kHz

Dimensioni (L x H x P) 113 mm x 272 mm x 206 mm

Peso 1,5 kg

Altoparlante satellitare

Tipo Sistema di altoparlanti a piena autonomia
..... tipo con schermatura magnetica

Driver 5 cm tipo di cono a forma di abete

Impedenza 4 Ω

Dimensioni (L x H x P) 70 mm x 95 mm x 118 mm

Peso 0,4 kg

Subwoofer

Tipo Sistema subwoofer di elaborazione servoassistita
..... attiva

Driver 13 cm woofer a cono tipo con schermatura
..... magnetica

Impedenza 4 Ω

Dimensioni (L x H x P) 220 mm x 224 mm x 222 mm

Peso 3,4 kg

Accessori

Adattatore CA (PA-SR601) x 1

Cavo a presa mini stereo (1,8 m) x 2

Cavo a fibra ottica (1,0 m) x 1

Cavo a presa pina RCA (1,8 m) x 1

Sostegno per l'unità amplificatore x 1

Vite x 2

Piedino di feltro x 24

Fibbia x1

* Tutti i dati tecnici sono soggetti a variazioni senza preavviso.

Precauciones

Antes del uso lea las siguientes precauciones de funcionamiento.

YAMAHA no se hará responsable por daños y/o lesiones causados por no seguir las precauciones que se mencionan abajo.

- Al desconectar el adaptador de CA de la tomacorriente de CA, sujete el enchufe y no el cable.
 - Si tiene previsto no utilizar este sistema durante un periodo de tiempo prolongado, desconecte el adaptador de CA del tomacorriente de CA.
 - Antes de realizar cualquier conexión, desconecte el cable de alimentación del tomacorriente de CA.
 - Este sistema no contiene piezas de repuesto. En caso de avería, solicite los servicios de su proveedor Yamaha.
 - **No abra nunca la cabina.** Si entra cualquier objeto extraño en el equipo, póngase en contacto con el distribuidor y deje de utilizar este sistema. De lo contrario, podría provocar un incendio.
 - No exponga este sistema a temperaturas extremas, la luz directa del sol, polvo excesivo, humedad o vibraciones.
 - Coloque este sistema en una superficie estable a cierta distancia del suelo. No permita que se caiga, no aplique demasiada fuerza a sus controles, ni coloque objetos pesados sobre ellos.
 - No coloque pequeños objetos metálicos en este sistema. De lo contrario podrían caerse y provocar lesiones.
 - Puesto que el amplificador dispone de un amplificador de potencia integrado, el calor radiará desde las rejillas de ventilación. Coloque el amplificador alejado de las paredes, dejando un espacio de al menos 20 cm por encima, 10 cm por detrás y en ambos lados del amplificador. Asimismo, no coloque el amplificador con el panel trasero orientado hacia el suelo u otras superficies y no cubra el amplificador con un periódico, un mantel, una cortina, etc. para no obstruir la radiación térmica. Si aumenta la temperatura en el interior del amplificador, podrían originarse un incendio, daños en el amplificador y/o lesiones personales.
 - No coloque los siguientes objetos en este sistema: Cristal, china etc.
Si cristal etc. se cae debido a vibraciones y se rompe, puede causar lesiones personales.
Una vela encendida etc.
Si la vela se cae debido a vibraciones, podría causar un incendio y lesiones personales.
Un recipiente con agua
Si el recipiente se cae debido a las vibraciones y el agua se derrama, podría causar daños en este sistema y/o podría originar una descarga eléctrica.
 - Para proteger este sistema, evite la realimentación del micrófono, señales de salida continuas y excesivas de los instrumentos musicales electrónicos y distorsiones excesivas de las señales.
 - Si este sistema está situado cerca de un monitor o de luces fluorescentes o de neón, podría escucharse una ligera interferencia. En este caso, vuelva a colocar este sistema lejos de la luz.
- Aunque este sistema dispone de un blindaje magnético, mantenga los discos flexibles y las cintas alejadas del mismo.
 - Evite fuentes de zumbidos (transformadores, motores). Para evitar incendios y descargas eléctricas, no esponga los altavoces a la lluvia ni a la humedad.
 - No fuerce los interruptores, botones o cables. Cuando mueva este sistema, apáguelo primero; después desconecte el adaptador de CA del tomacorriente y los cables de los dispositivos conectados.
 - Ajuste siempre el control MASTER VOLUME completamente hacia la izquierda antes de comenzar a reproducir la fuente audio: gire el control gradualmente después de que haya sólomente comenzado la reproducción.
 - **Asegúrese de utilizar el adaptador de CA (PA-SR601) suministrado con este sistema. De no hacerlo así, podría causar un incendio o producirse daños en este sistema.**

Modo de en espera

Cuando se apague este sistema pulsando el interruptor de encendido/apagado, el sistema consume una pequeña cantidad de energía. Este estado se llama el modo de en espera. La fuente de alimentación se encuentra completamente cortada de la línea de CA sólo cuando el adaptador de CA está desconectada.

Este sistema presenta un diseño de blindaje magnético, pero existe la posibilidad de que afecte al color de la imagen del televisor, si lo coloca demasiado cerca del aparato de televisión. En caso de que ocurra esto, aleje el sistema del aparato de TV o del monitor de la computadora.

Contenido

Precauciones	1	Controles y conectores	6
Desembalaje	2	Ajuste del balance de los altavoces	8
Características	2	Reproduccion de una fuente	8
Ajustes del sistema	4	Solución de problemas	9
Conexiones	6	Especificaciones	10

Desembalaje

Después de desempaquetar, asegúrese de que están incluidas las siguientes piezas.

- **Amplificador**
- **Altavoz satélite x 5**
 - Altavoz satélite con un cable de 3 m x 3
 - Altavoz satélite con cable de 7 m x 2
- **Subwoofer (altavoz de ultr Graves)**
- **Accesorios**
 - Adaptador C/A (PA-SR601) x 1
 - Cable estéreo de clavija x 2
 - Cable de fibra óptica x 1
 - Cable de pequeño de conexión de espiga RCA x 1
 - Soporte para el amplificador x 1
 - Tornillo x 2
 - Almohadilla x 24
 - Fijador x 1

Características

Sistema Surround multicanal para el entretenimiento doméstico, juegos y PC DVD.

- **Combinación de amplificador, cinco altavoces satélite y Subwoofer (altavoz de ultr Graves)**
- **Dolby Digital y decodificador DTS (Consultar en la página siguiente).**
- **5,1-Sistema de canales con escala completa para la reproducción de películas en DVD**
- **5.1-Modos de altavoces Ch Full-Scale (escala completa), 4,1-Ch (Game Surround) y estéreo (Virtual Surround)**
- **Tecnología exclusiva Active Servo de Yamaha para una óptima calidad de los sonidos graves**
- **1 terminal de entrada digital óptico y 1 coaxial**
- **Dos terminales de entrada analógicos (canal delantero/trasero)**
- **Generador de tonos de prueba para un preciso ajuste de los altavoces**

Bienvenido al emocionante mundo del sistema doméstico digital de audio.

El TSS-1 es un sistema de sonido doméstico compacto, pero completo y avanzado, que le traslada al emocionante mundo del sonido surround digital. Aunque es posible que algunas de las funciones avanzadas de este sistema no le resulten familiares, las encontrará fáciles de usar. La tecnología de última generación incorporada, como Dolby Digital y DTS, pueden proporcionarle la misma experiencia de audio en su hogar, como la que se experimenta en los mejores cines del mundo. Dedique algún tiempo a leer acerca de estas características y disfrute de las nuevas experiencias que este sistema aportará a su sistema de audio doméstico.

■ Dolby Surround

Dolby Surround utiliza cuatro canales discretos y cinco altavoces para reproducir efectos sonoros reales y dinámicos: dos canales principales (izquierdo y derecho), un canal central para los diálogos, y un canal trasero para efectos sonoros especiales. El canal trasero produce el sonido dentro de una gama de frecuencia angosta. La mayoría de las cintas de vídeo y discos láser incluyen códigos Dolby Surround así como muchas de las transmisiones de TV y cable. El decodificador Dolby Pro Logic incorporado en este aparato utiliza un sistema de procesamiento de señales digitales que estabiliza cada canal, para posicionar los sonidos de forma más precisa de lo que era posible con los procesadores analógicos normales.

■ Dolby Digital *

Dolby Digital es un sistema de sonido envolvente digital que le brinda un sonido multicanal completamente independiente. Dolby Digital le brinda cinco canales de gama completa en lo que frecuentemente se refiere a configuración "3/2": tres canales delanteros (izquierdo, central y derecho), y dos canales envolventes. Además le brinda un sexto canal sólo de graves para la salida de efecto de baja frecuencia (LFE), o los efectos de graves de poca intensidad que son independientes de los otros canales. (Es el "canal LFE".) Este canal se cuenta como 0.1, dando como resultado el término 5.1 canales en total. La gama dinámica amplia del sonido reproducido por los cinco canales de gama completa y la precisa orientación del sonido por el procesamiento digital de los sonidos es mucho más espectacular y real que cualquier otro hasta ahora.

■ DTS (Digital Theater System) Digital Surround **

El sistema DTS fue desarrollado para sustituir las bandas sonoras analógicas de las películas por seis canales discretos de bandas sonoras digitales, instalados ahora en muchas salas de cine en todo el mundo. El sistema de reproducción digital DTS ha cambiado la forma de disfrutar de las películas en los cines, con seis canales discretos de audio digital de calidad superior.

La tecnología DTS, mediante una investigación y desarrollos intensos, ha logrado producir una tecnología de codificación/decodificación discreta para el disfrute envolvente del audio en el hogar.

El envolvente digital DTS es un sistema de codificación/

decodificación que produce seis canales de audio de 20 bits con la calidad de cinta maestra; técnicamente son 5.1 canales, es decir, 5 canales de gama completa (izquierdo, central, derecho y dos envolventes) y un canal para los subgraves (LFE) (considerado como "0.1"). Es compatible con las configuraciones de 5.1 altavoces utilizados actualmente en los sistemas de cine en el hogar.

Notas

- Cuando reproduzca un CD convencional en este sistema, después de la reproducción de un CD o de un LD codificado con DTS, quizá sea necesario efectuar algunas operaciones, como restablecer los modos de entrada.
- Incluso si está conectado a este sistema mediante una conexión digital, algunos reproductores de CD, LD y DVD pueden originar que el sistema falle en la descodificación DTS o produzcan ruidos. Eso se debe a que ciertos procesos de datos de salida digital de dichos reproductores producen errores de datos en la codificación DTS, que originan que la reproducción falle, aunque el procesamiento de esos mismos datos podría causar sólo un ligero cambio de respuesta en el volumen o la frecuencia en el sonido digital normal.
- Cuando se produce un error en los datos de salida digital del reproductor durante la reproducción de un LD o un CD codificados con DTS, la reproducción puede verse deteriorada. Si ocurre esto, detenga la reproducción y vuelva a encender el reproductor.
- Cuando se reproducen las señales de sonido digital del ordenador, pueden ocurrir errores en las señales WAVE que conllevan ruidos o fallos en la reproducción.



Fabricado bajo licencia de los Laboratorios Dolby. "Dolby", "Pro Logic" y el símbolo de doble D son marcas registradas de los Laboratorios Dolby. Trabajos Confidenciales No Publicados. ©1992-1997 Dolby Laboratories, Inc. Todos los derechos están reservados.



Fabricado bajo licencia de Digital Theater Systems, Inc. Patente de los EE.UU. No. 5.451.942 y otras patentes mundiales emitidas y pendientes de registro. "DTS", "DTS Digital Surround" son marcas registradas por Digital Theater Systems, Inc. Derechos de autor registrados en 1996 por Digital Theater Systems, Inc. Todos los derechos reservados.

Ajustes del sistema

Configuración del sistema

Este sistema incluye un amplificador, cinco altavoces satélite y un subwoofer.

Los tres altavoces satélite con un cable de 3 m se utilizan con los altavoces delanteros y un altavoz central.

Los dos altavoces satélite con un cable de 7 m se utilizan para los altavoces surround (envolvente).

La función de los diferentes altavoces

Los altavoces delanteros se utilizan para reproducir el sonido del canal principal. Los altavoces surround se utilizan para efectos de sonido y el altavoz central para el sonido del canal central (diálogo, etc.).

El subwoofer se utiliza para reproducir sonidos de bajas frecuencias desde los canales delantero, central y surround.

El subwoofer también reproduce sonidos del canal subwoofer, cuando se reproduce una fuente de sonido con des codificación DTS o Dolby.

Colocación recomendada de los altavoces

Antes de hacer las conexiones, instale todos los altavoces en sus respectivos lugares. Es importante colocar bien los altavoces porque controlan completamente la calidad del sonido de su sistema.

Instale los altavoces según la posición en la que escucha normalmente, siguiendo las instrucciones a continuación.

* Los altavoces satélite pueden instalarse en una pared. (Vea la página siguiente.)

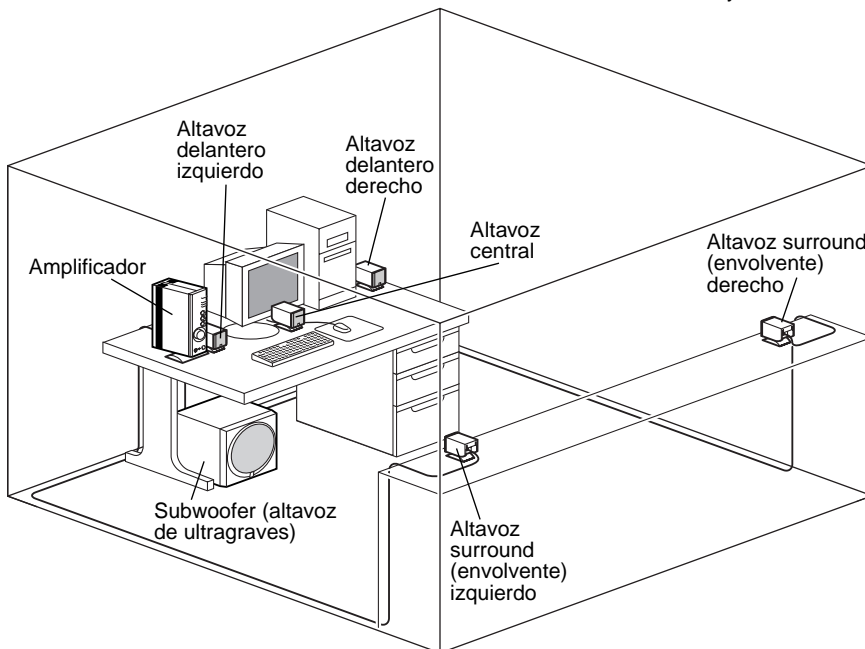
Altavoces delanteros: En ambos lados y aproximadamente a la misma altura que la TV (o el monitor del ordenador).

Altavoces surround: Detrás de la posición de escucha o ambos lados de la habitación de escucha.

Altavoz central: Exactamente entre los altavoces delanteros.
* El altavoz central puede instalarse en el monitor, tal como se muestra en la página siguiente.

Subwoofer (altavoz de ultr Graves):

En el suelo. La posición del subwoofer (altavoz de ultr Graves) no es demasiado importante por los tonos de graves bajos no son muy direccionales.

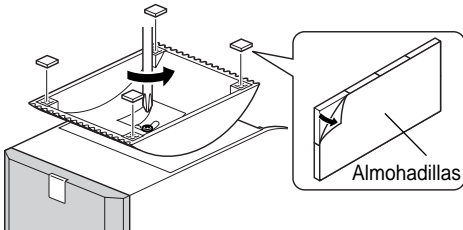


■ Ajuste del ángulo delantero de los altavoces satélites

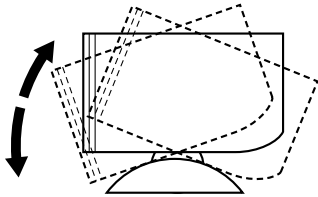
El ángulo delantero de los altavoces satélite puede ajustarse de la forma que se muestra a continuación.

1 Afloje el tornillo de la parte inferior del soporte del altavoz.

- * Coloque las almohadillas antideslizantes suministradas en las cuatro esquinas de la parte inferior del soporte para obtener más estabilidad.



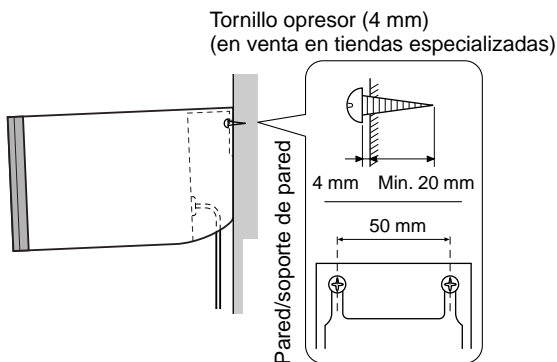
2 Deslice el altavoz en el soporte, como prefiera, y apriete el tornillo.



■ Instalación de los altavoces satélite en la pared

Los altavoces satélite se pueden colgar en la pared. Fije los tornillos en una pared firme o sobre un soporte, tal como se muestra en la figura, y encaje las hendiduras en la parte trasera del altavoz en los tornillos salientes.

- * Asegúrese de que los tornillos están debidamente insertados en las hendiduras.



Advertencia

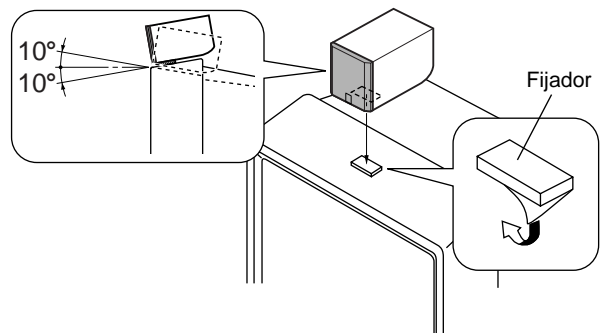
- Cada altavoz pesa 0,4 kg. No los instale en una pared cuya superficie sea débil o en una madera laminada, pues los tornillos se podrían salir. Si hiciera esta instalación los tornillos pueden salirse de la superficie delgada y pueden caerse los altavoces. Esto puede dañar los altavoces o provocar heridas en las personas que están cerca.

- No instale los altavoces a la pared usando clavos, adhesivos, o cualquier otro herraje inestable. El uso prolongado y las vibraciones harán que los altavoces se caigan.
- Para evitar accidentes debidos a enredos en los cables sueltos, fíjelos a la pared.

■ Instalación de un altavoz central en la parte superior del monitor

Cuando coloque el altavoz central en la parte superior del monitor, retire el soporte del altavoz y coloque el fijador suministrado en la parte inferior del altavoz y en la parte superior del monitor, para evitar que el altavoz se caiga.

- * No instale el altavoz en la parte superior del monitor con una inclinación sobre una superficie nivelada de más de 10 grados.



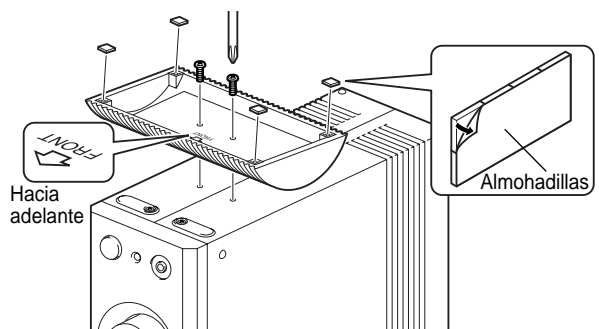
Nota

A pesar de que este altavoz es de tipo blindado magnéticamente, podría afectar la imagen del monitor dependiendo del tipo de monitor o ubicación del altavoz. En ese caso, coloque el altavoz alejado del monitor de manera que no afecte la imagen del monitor.

■ Instalación del amplificador en el soporte suministrado

Para obtener estabilidad, se recomienda montar el amplificador en el soporte con los tornillos suministrados, tal como se muestra abajo.

- * Coloque las almohadillas antideslizantes suministradas en las cuatro esquinas de la parte inferior del soporte para obtener más estabilidad.



Conexiones

(Vea la figura 1 a un lado de la cubierta delantera.)

Precaución: Enchufe el amplificador y los otros componentes después de que haya finalizado todas las conexiones.

A: Conecte los tres altavoces satélite con un cable de 3 m a los terminales **FRONT (delantero) L (izdo.), R (dcho.)** y **CENTER (central)**. Conecte los dos altavoces satélite con un cable de 7 m a los terminales **SURROUND (envolventes) L (izdo.)** y **R (dcho.)**. Conecte el altavoz ultragraves al terminal **SUBWOOFER** (altavoz de ultragraves).

B: Conecte las unidades externas de audio/vídeo (un ordenador personal, un reproductor de juegos de vídeo, un reproductor DVD/CD portátil, un reproductor de videocasetes, etc, que envíen señales de reproducción a este sistema) a estos terminales.

Precauciones

- Cuando coloque el adaptador CA facilitado en el escritorio, etc., asegúrese de fijar el adaptador en el pupitre, etc, para evitar que se caiga. Si se cae el adaptador, podría causar lesiones personales o daños en el adaptador y/o en otros equipos.
- Las terminales de **SPEAKER OUTPUT** en la parte trasera del amplificador sirven para efectuar la conexión con los altavoces suministrados. Nunca conecte estos terminales a un amplificador AV o un amplificador de potencia, ya que esto puede causar funcionamiento defectuoso, incendios, y/o daños a este sistema.

Controles y conectores

(Vea la figura 2 a un lado de la cubierta delantera.)

1 Botón de selección de INPUT e indicadores

Pulse este botón repetidamente para seleccionar un modo de entrada entre **DIGITAL**, **4CH** y **2CH**. El modo actual se muestra mediante la iluminación del indicador correspondiente.

DIGITAL:

Seleccione este modo para reproducir las señales recibidas en el terminal **OPTICAL** o **COAXIAL** del panel trasero. Cuando tanto el terminal **OPTICAL** y el **COAXIAL** reciban señales, se seleccionan las señales en el terminal **OPTICAL**.

4CH:

Seleccione este modo para reproducir señales recibidas en los terminales de entrada analógicos **FRONT** y **SURROUND** en el panel trasero en el modo de sonido surround (envolvente) de 4 canales. (El altavoz central no se utiliza en este modo).

2CH:

Seleccione este modo para reproducir señales recibidas en la terminal de entrada analógica **FRONT** en el panel trasero.

2 Botón selector de MODE e indicadores

Pulse este botón repetidamente para seleccionar el modo surround (envolvente) deseado, entre **DTS**, **DIGITAL**, **PROLOGIC** y **off**. El modo actual se muestra mediante la iluminación del indicador correspondiente. Cuando no se selecciona ningún modo, no se ilumina ninguna luz.

* Si se introduce una señal codificada con DTS o Dolby Digital cuando el modo surround (envolvente) está desactivado, el indicador correspondiente se ilumina débilmente.

DTS:

Seleccione este modo para reproducir una fuente de entrada descodificado con DTS. Puede seleccionarse este modo sólo cuando la señal de entrada esté codificada con DTS y el modo de entrada está ajustado a **DIGITAL**.

DIGITAL:

Seleccione este modo para reproducir una fuente de entrada descodificado con Dolby Digital. Puede seleccionarse este modo sólo cuando la señal de entrada esté codificada con Dolby Digital y el modo de entrada esté ajustado a **DIGITAL**.

PROLOGIC:

Seleccione este modo para reproducir una fuente de entrada descodificado con Prologic. No puede seleccionarse este modo cuando la señal de entrada esté ajustada a cuatro canales: **4CH**.

3 Tecla TEST

Pulse este botón para reproducir un tono de prueba desde los altavoces. Se reproduce un tono de prueba desde los altavoces delantero, central, envolvente y altavoz de ultragraves. Un tono de prueba se reproduce de cada altavoz como se muestra abajo.

FRONT L → CENTER → FRONT R
↑ SURROUND L ← SURROUND R ← ↓

* No todos los altavoces reproducen el tono de prueba, según cuál haya sido la configuración del interruptor del **SPEAKER MODE** (13).

4 Botón MUTE (sin voz) e indicador

Pulse este botón para interrumpir la salida de sonido temporalmente. Cuando esta función está activa, se ilumina el indicador. Vuelva a pulsar este botón para restaurar la salida de sonido.

* Se restaurará la salida de sonido al cambiar el estado de este sistema entre el modo de espera, "standby" y el modo de activación, "power-on", y cambiando el modo de entrada y el modo surround.

5 Control del nivel CENTER

Este control se utiliza para ajustar el nivel de sonido reproducido desde el altavoz central. Gire este mando en el sentido de las agujas del reloj para aumentar el nivel y en el sentido contrario al de las agujas del reloj para disminuir el nivel.

6 Control del nivel SURROUND (envolvente)

Este control se utiliza para ajustar el nivel de sonido reproducido desde los altavoces surround (envolventes). Gire este mando en el sentido de las agujas del reloj para aumentar el nivel y en el sentido contrario al de las agujas del reloj para disminuir el nivel.

7 Control de nivel SUBWOOFER (altavoz de ultr Graves)

Este control se utiliza para ajustar el nivel de sonido reproducido desde el altavoz de ultr Graves (subwoofer). Gire este mando en el sentido de las agujas del reloj para aumentar el nivel y en el sentido contrario al de las agujas del reloj para disminuir el nivel.

8 Control de MASTER VOLUME

Este control se utiliza para ajustar el nivel total de volumen de este sistema. Gire este mando en el sentido de las agujas del reloj para aumentar el nivel y en el sentido contrario al de las agujas del reloj para disminuir el nivel.

9 Clavija para los auriculares

Los auriculares estéreo pueden conectarse a esta pequeña clavija para escuchar de manera privada. La salida de sonido de los altavoces se interrumpe cuando los auriculares están conectados a esta clavija. Los sonidos de todos los canales se mezclan en 2 canales y se reproducen desde los auriculares.

10 Indicador de alimentación

Se ilumina cuando el sistema recibe alimentación.

11 Interruptor Power (de potencia)

Cada vez que se pulsa este interruptor se cambia el estado de este sistema entre el modo standby (en espera) y el modo de activación (power on). Cuando el equipo está recibiendo alimentación, el indicador de potencia (10) se ilumina.

* Tenga en cuenta que este sistema utiliza una pequeña cantidad de potencia en el modo "standby" -en espera-.

12 SPEAKER OUTPUTS

FRONT:

Conecte un altavoz satélite con un cable de 3 m al terminal L (izdo.) y otro al terminal R (dcho.). Se utilizan como los altavoces delanteros.

SURROUND:

Conecte un altavoz satélite con un cable de 7 m al terminal L (izdo.) y el otro al terminal R (dcho.). Se utilizan como los altavoces surround.

CENTRER:

Conecte un altavoz satélite con un cable de 3 m a este terminal. Se utiliza como el altavoz central.

S. WOOFER:

Conecte el subwoofer (altavoz de ultr Graves) a este terminal.

13 Interruptor del SPEAKER MODE

Normalmente, ajuste este interruptor a **5CH**. Según sus preferencias, ajuste este interruptor a otra posición.

5CH:

En este modo se utilizan todos los altavoces.

4CH:

Seleccione esta posición cuando no desee utilizar el altavoz central. En este modo, el sonido central se reproduce desde los altavoces delanteros L (izdos.) y R (dchos.).

2CH:

Seleccione esta posición cuando no vaya a utilizar los altavoces central y surround. En este modo, el sonido de todos los canales es mezclado y reproducido desde los altavoces delanteros L y R como sonidos surround virtuales. [Los altavoces surround reproducen los mismos sonidos que los altavoces delanteros (excepto por el tono de prueba).]

14 Conector DC IN

Conecte el adaptador de CA suministrado en este conector.

15 DIGITAL INPUTS

Las unidades externas que tengan terminales de salidas de señales digitales pueden conectarse a dichos terminales. Las señales de entrada recibidas en el terminal **OPTICAL** tienen prioridad sobre las señales en el terminal **COAXIAL**. Cuando ambos terminales reciban señales, las señales en el terminal **OPTICAL** se reproducen con este sistema.

OPTICAL:

Conecte una unidad externa (un reproductor DVD/CD, una grabadora de MD, una consola de videojuegos, etc.), que tenga un terminal de salida de señal óptica digital conectada a este terminal, mediante el cable óptico suministrado.

COAXIAL:

Conecte una unidad externa (un reproductor DVD/CD, un grabador de MD, consola de videojuegos, etc.) con un terminal de salida digital coaxial a este terminal utilizando el cable pequeño de conexión de espiga RCA.

16 ANALOG INPUTS

Conecte terminales de salida de señal analógica de una unidad externa a los terminales de las clavijas mediante los cables de conexión a las clavijas suministrados o cables de conexión a las clavijas disponibles en comercios especializados.

FRONT:

Conecte un terminal de salida de señal (estéreo) analógico de una unidad externa a este terminal mediante un cable de conexión pequeño suministrado. Cuando conecte una tarjeta de sonido en un ordenador que disponga de terminales de salida para cuatro canales, conecte el terminal de salida del canal delantero de la tarjeta de sonido a este terminal.

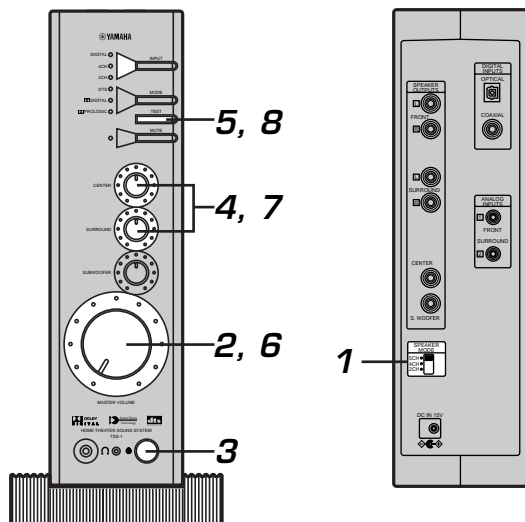
SURROUND:

Cuando conecte una tarjeta de sonido en un ordenador que disponga de terminales de salida para cuatro canales, conecte el terminal de salida del canal trasero de la tarjeta de sonido a este terminal.

Ajuste del balance de los altavoces

Este procedimiento le permite ajustar el balance del nivel de salida del sonido entre los altavoces delantero, frontal y surround (envolvente) utilizando el generador de tonos de prueba integrado. Efectúe este ajuste de modo que cada nivel de salida del altavoz sea aproximadamente el mismo, cuando se escuche en la posición de escucha. Esto es importante para conseguir un gran rendimiento del descodificador integrado DTS y del descodificador Dolby Digital.

* Después de haber completado este ajuste, puede ajustar el nivel de volumen general de este sistema, sólo mediante el control de **MASTER VOLUME**.



1 Ajuste el interruptor de **SPEAKER MODE** a "5CH", si está ajustado en otra posición.

2 Gire el mando de **MASTER VOLUME** totalmente en la dirección contraria a las agujas del reloj para reducir el volumen al mínimo.

3 Encienda el sistema.

4 Ajuste los controles de nivel de los altavoces **CENTER** y **SURROUND** en la posición central.



5 Pulse el botón **TEST** (prueba).

6 Ajuste el volumen maestro al nivel deseado.

* Escuchará un tono de prueba (como un sonido metálico) desde cada altavoz respectivos durante dos segundos, en el orden siguiente.

FRONT L → CENTER → FRONT R
 ↑ SURROUND L ← SURROUND R ↓

7 Ajuste los controles de nivel de los altavoces **CENTER** y **SURROUND** mientras escucha los tonos de prueba, de modo que los niveles se aproximen al nivel de los altavoces delanteros.

* Ajuste el balance del volumen derecho-izquierdo de los altavoces delanteros y de los altavoces surround (sonido envolvente), cambiando la posición de cada altavoz.

8 Cuando haya completado el ajuste, pulse el botón **TEST** (prueba).

* El tono de prueba se detiene.

Notas

• Cuando el interruptor de **SPEAKER MODE** se ajuste a "4CH". El tono de prueba del canal central se reproduce desde los altavoces delanteros izquierdo y derecho al mismo tiempo.

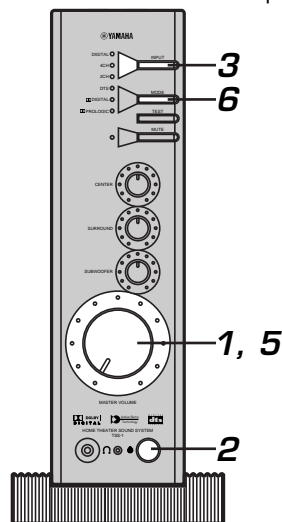
• Cuando el interruptor de **SPEAKER MODE** se ajuste a "2CH". Los tonos de prueba de los canales surround izquierdo y derecho se reproducen, respectivamente, desde los altavoces izquierdo y derecho. El orden de salida de los tonos de prueba es el siguiente:

FRONT L → VIRTUAL SURROUND L → FRONT R
 (ENVOLVENTE L)
 VIRTUAL SURROUND R ← FRONT R
 (ENVOLVENTE R)

• Ajuste el nivel subwoofer mientras escucha los sonidos reproducidos de una fuente.

Reproducción de una fuente

En esta sección se explica cómo encender este sistema y seleccionar las fuentes de entrada. Antes de encender este sistema, encienda la unidad externa de audio que vaya a utilizar.



1 Gire el mando de **MASTER VOLUME** totalmente en la dirección contraria a las agujas del reloj para reducir el volumen al mínimo.

2 Encienda el sistema.

3 Seleccione el modo de entrada apropiado pulsando el botón de selección **INPUT** (entrada).

* El indicador del modo de entrada seleccionado se ilumina.

* Consulte "Controles y conectores" en la página 6 para obtener detalles acerca de los modos de entrada.

4 Reproduzca la fuente de sonido en la unidad externa.

5 Ajuste el volumen al nivel deseado.

6 Si lo desea, seleccione un modo surround.

* Consulte "Controles y conectores" en la página 6 para obtener detalles acerca de los modos surround.

Solución de problemas

Remítase a la tabla que está a continuación si este sistema no funciona debidamente. Si su problema no se encuentra en la lista de a continuación o si las instrucciones que se dan no le son de ayuda, desconecte el adaptador de CA y contacte a su distribuidor YAMAHA autorizado o centro de servicio.

Problema	Causa	Qué hacer si
No se oye sonido desde los altavoces o altavoz de ultr Graves.	El cable de alimentación de CA no está adecuadamente enchufado en el tomacorriente de CA.	Inserte el adaptador de CA firmemente en el tomacorriente de CA.
	La potencia de la unidad de amplificador se ajusta en el modo standby (en espera).	Active la alimentación pulsando el interruptor power. (El indicador de la alimentación se ilumina).
	Las conexiones son incorrectas o incompletas.	Vuelva a hacer las conexiones.
	No se ha seleccionado el modo de entrada apropiado.	Seleccione el modo de entrada apropiado pulsando el botón de selección INPUT (entrada).
	El ajuste del volumen es bajo.	Gire el control MASTER VOLUME en el sentido de las agujas del reloj para aumentar el volumen.
	La función MUTE (sin voz) está activa. (El indicador que está a la izquierda del botón MUTE está iluminado).	Pulse el botón MUTE (sin voz) para cancelar esta función.
No sale sonido de los altavoces surround	El control del nivel SURROUND está ajustado al mínimo.	Gire el control de nivel SURROUND en el sentido de las agujas del reloj para aumentar el nivel.
	El modo surround está desactivado.	Seleccione el modo surround apropiado pulsando el botón MODE. Si no puede seleccionarse ningún modo, cambie la fuente de entrada a otro modo codificado con DTS, Dolby Digital o Dolby Prologic.
No sale sonido del altavoz central	El control del nivel CENTER está ajustado al mínimo.	Gire el control de nivel CENTER en el sentido de las agujas del reloj para aumentar el nivel.
	El interruptor del SPEAKER MODE del panel trasero del amplificador está ajustado a "2CH" o "4CH".	Ajuste el interruptor del SPEAKER MODE a "5CH".
	El modo surround está desactivado.	Seleccione el modo surround apropiado pulsando el botón MODE. Si no puede seleccionarse ningún modo, cambie la fuente de entrada a otro modo codificado con DTS, Dolby Digital o Dolby Prologic.
No sale sonido de los altavoces central y surround, aunque el indicador del modo DTS o DIGITAL está iluminado.	La iluminación tenue de un indicador significa que las señales codificadas con las señales de los formatos correspondientes (DTS o Dolby Digital) entran en el sistema. En este caso, las señales se mezclan en 2 canales y se reproducen sólo desde los altavoces delanteros.	Pulse el botón MODE para obtener el formato surround apropiado. El indicador se enciende y los altavoces central y surround reproducen sonidos, ya que se descodifica el formato surround.
Aunque una fuente codificada Dolby Digital se introduce a este sistema, el indicador de modo DIGITAL se ilumina débilmente y el indicador de modo PROLOGIC se ilumina fuertemente.	Una fuente codificada de 2 canales Dolby Digital se introduce a este sistema.	Si la fuente de entrada es compatible con 5.1 canales, seleccione "5.1-channel mode" en el reproductor que esté enviando señales a este sistema. (Si la fuente de entrada no es compatible con 5.1 canales, usted puede disfrutar la fuente en un modo multicanal utilizando el modo surround (envolvente) PROLOGIC).
El sonido se oye distorsionado.	El nivel de la señal introducida es demasiado alto.	Reduzca el volumen del componente conectado.
Hay ruido.	El nivel de la señal introducida es demasiado bajo.	Aumente el volumen del componente conectado.
	Las conexiones son incorrectas o incompletas.	Vuelva a hacer las conexiones.
	El amplificador está situado cerca del monitor.	Coloque el amplificador lejos del monitor.

Especificaciones

Amplificador

Potencia de salida por canal

..... Satélite: 6 W (1 kHz, 4 Ω , 10% THD)
..... Subwoofer (Altavoz de ultr Graves):
..... 18 W (100 Hz, 4 Ω , 10% THD)

Sensibilidad de entrada 200 mV

Nivel de salida/Impedancia de salida de la clavija del auricular

..... 450 mV/30 Ω (1 kHz, 200 mV)

Respuesta en frecuencia 40 Hz–20 kHz

Dimensiones (AN x AL x PR)..... 113 mm x 272 mm x 206 mm

Peso 1,5 kg

Altavoz satélite izquierdo

Tipo Sistema de altavoz para toda la gama de frecuencias
..... Tipo con protección magnética

Accionador 5 cm tipo cono (abeto)

Impedancia 4 Ω

Dimensiones (AN x AL x PR) .. 70 mm x 95 mm x 118 mm

Peso 0,4 kg

Altavoz de ultr Graves

Tipo Sistema de altavoz de ultr Graves Active Servo Processing

Accionador 13 cm woofer cónico
..... Tipo de protección magnética

Impedancia 4 Ω

Dimensiones (AN x AL x PR)

..... 220 mm x 224 mm x 222 mm

Peso 3,4 kg

Accesorios

..... Adaptador CA (PA-SR601) x 1
..... Cable estéreo de clavija (1,8 m) x 2
..... Cable de fibra óptica (1,0 m) x 1
..... Cable de pequeño de conexión de espiga RCA (1,8 m) x 1
..... Soporte para el amplificador x 1
..... Tornillos x 2
..... Almohadilla x 24
..... Fijador x1

* Todas las especificaciones están sujetas a cambios sin previo aviso.

Vorzorgsmaatregelen

Lees a.u.b. voor het in gebruik nemen de volgende voorzorgsmaatregelen door.

YAMAHA is niet aansprakelijk voor schade en/of letsel die wordt veroorzaakt doordat onderstaande voorzorgsmaatregelen niet in acht zijn genomen.

- Om de netadapter van het stopcontact los te maken, mag u slechts aan de stekker trekken, nooit aan het snoer.
- Als u dit systeem gedurende langere tijd niet denkt te gebruiken, trek dan de stekker van de netadapter uit het stopcontact.
- Zorg dat de stekker van de netadapter uit het stopcontact is getrokken voordat u enige aansluitingen gaat maken.
- Dit systeem bevat geen onderdelen die door de gebruiker kunnen worden hersteld of vervangen. Laat alle technisch onderhoud over aan uw Yamaha-dealer.
- **Open nooit de ombouw.** Mocht er een vreemd voorwerp in het apparaat terechtkomen, neem dan contact op met uw dealer en gebruik het systeem niet meer. Anders kan er brandgevaar ontstaan.
- Zorg dat dit systeem niet wordt blootgesteld aan extreme temperaturen, direct zonlicht, veel stof, vocht of heftige trillingen.
- Plaats dit systeem op een stabiel horizontaal oppervlak. Laat het niet vallen, forceer de regelaars niet en plaats er geen zware voorwerpen op.
- Plaats geen kleine metalen voorwerpen op dit systeem. De voorwerpen kunnen eraf vallen en mogelijkwijs verwondingen veroorzaken.
- Aangezien de versterker is uitgerust met een ingebouwde vermogensversterker, wordt er warmte afgevoerd via de ventilatiegaten. Plaats de versterker op een afstand van de muur; laat een ruimte van minimaal 20 cm boven en 10 cm achter en een aan beide zijden van de versterker. Plaats de versterker niet met het achterpaneel op de vloer of andere oppervlakken en leg geen krant, tafelkleed, gordijn e.d. op de versterker, om te voorkomen dat de warmteafvoer wordt belemmerd. Als de temperatuur in de versterker stijgt, kan dit brand, schade aan de versterker en/of lichamelijk letsel veroorzaken.
- Plaats de volgende voorwerpen niet op dit systeem: Glas, porselein, enz.
Als glas e.d. valt door trillingen en dan in stukken breekt, kan dit leiden tot persoonlijk letsel.
Brandende kaarsen, enz.
Als de kaars valt door trillingen, kan dit brand veroorzaken en leiden tot persoonlijk letsel.
Voorwerpen die water bevatten
Als het voorwerp valt door trillingen en het water loopt eruit, kan dit het systeem beschadigen en/of kan u een elektrische schok krijgen.
- Ter bescherming van dit systeem dient u te vermijden dat er een fluittoon door een microfoon gaat rondzingen, dat er langdurig krachtige signalen van elektronische muziekinstrumenten of signalen met veel vervorming worden weergegeven.

- Als dit systeem dicht bij een monitor, een fluorescerende of neonlamp staat, hoort u mogelijk een licht gezoem. In dat geval zet u dit systeem verder van de lichtbron vandaan.
- Hoewel dit systeem magnetisch afgeschermd is, moet u toch computerdiskettes en cassettes uit de buurt houden.
- Vermijd apparatuur die een elektrische bromtoon voortbrengt (transformators, elektromotoren). Ter voorkoming van brand of elektrische schokken mag u de luidsprekers niet blootstellen aan regen of opspattend water.
- Oefen niet teveel kracht uit op schakelaars, knoppen of snoeren. Schakel voordat u het systeem verplaatst eerst de spanning van het systeem uit, trek de netadapter uit de netaansluiting en maak vervolgens de kabels van de aangesloten toestellen los.
- Zet de MASTER VOLUME-regelaar altijd volledig naar links (in standby-modus) voordat u een audiobron begint weer te geven; draai vervolgens de regelaar geleidelijk open.
- **Gebruik de bij dit systeem geleverde netadapter (PA-SR601). Zo niet kan er brand ontstaan of kan dit systeem worden beschadigd.**

Standby-modus

Wanneer dit systeem wordt uitgeschakeld met de spanningsschakelaar, verbruikt het nog een kleine hoeveelheid energie. Dit is de standby-modus. De voeding is alleen volledig uitgeschakeld als u de stekker uit het stopcontact hebt getrokken.

Dit systeem is magnetisch afgeschermd, maar het is niet uitgesloten dat de kleur van een TV-beeld of een computerbeeld wordt beïnvloed wanneer u het systeem te dicht bij een TV of monitor plaatst. Plaats in dit geval het systeem verder weg van de TV of de monitor.

Inhoud

Vorzorgsmaatregelen	1	Bedieningsorganen & aansluitingen	6
Uitpakken	2	Instellen van de luidsprekerbalans	8
Kenmerken	2	Weergave van een bron	8
Opstelling van de luidsprekers	4	Verhelpen van problemen	9
Aansluitingen	6	Specificaties	10

Uitpakken

Controleer na het uitpakken of de volgende onderdelen aanwezig zijn.

- **Versterker**
- **Satellietluidspreker x 5**
 - Satellietluidspreker met snoer van 3 m x 3
 - Satellietluidspreker met snoer van 7 m x 2
- **Subwoofer**
- **Accessoires**
 - Netadapter (PA-SR601) x 1
 - Stereo-ministekkerkabel x 2
 - Vezeloptische kabel x 1
 - RCA penstekkerkabel x 1
 - Steun voor de versterker x 1
 - Schroef x 2
 - Antislipplaatje x 24
 - Bevestiging x 1

Kenmerken

Multi-kanaals surroundsysteem voor Home Theater, spelletjes en PC DVD.

- **Combinatie van versterker, vijf satellietluidsprekers en subwoofer**
- **Dolby Digital- en DTS-decoder**
(Zie de volgende bladzijde.)
- **5.1-kanaals systeem met volledig bereik voor het afspelen van DVD-films**
- **5.1-kanaals volledig bereik, 4.1-kanaals (spel-surround) en stereo (Virtual Surround) luidsprekerstanden**
- **Yamaha's exclusieve Active Servo technologie voor een krachtige basweergave**
- **1 optische en 1 coaxiale digitale ingang**
- **Twee analoge ingangen (voor-/achterkanaal)**
- **Testtoongenerator voor nauwkeurige luidsprekerinstellingen**

Welkom in de boeiende wereld van het digitale home entertainment.

De TSS-1 is een compact, maar compleet en geavanceerd home theater geluidssysteem dat u binnenleidt in de boeiende wereld van het digitale surroundgeluid. Hoewel sommige geavanceerde functies van dit systeem misschien nieuw zijn voor u, zijn ze gemakkelijk te gebruiken. De geavanceerde technologieën die dit systeem gebruikt, zoals Dolby Digital en DTS, kunnen de geluidservaringen die ze teweegbrengen in bioscoopzalen overal ter wereld ook in uw huiskamer brengen. Neem even de tijd om nader kennis te maken met deze functies en geniet van de nieuwe ervaringen die dit systeem in uw "huisbioscoop" brengt.

■ Dolby Surround

Dolby Surround gebruikt vier onafhankelijke kanalen en vijf luidsprekers voor het reproduceren van realistische en dynamische geluidseffecten: twee hoofdkanalen (links en rechts), een middenkanaal voor dialoog, en een achterkanaal voor speciale geluidseffecten. Het achterkanaal geeft het geluid weer binnen een smal frequentiebereik. De meeste videobanden en laserdisk, en ook vele tv-uitzendingen en kabeluitzendingen, zijn met Dolby Surround gecodeerd. De in dit apparaat ingebouwde Dolby Pro Logic decoder gebruikt een digitaal signaalbewerkingssysteem dat elk kanaal stabiliseert zodat het geluid nog nauwkeuriger wordt gepositioneerd dan het geval is met standaard analoge geluidsprocessors.

■ Dolby Digital *

Dolby Digital is een digitaal surroundgeluidssysteem waarbij het geluid in verschillende volledig onafhankelijke kanalen wordt weergegeven. Met Dolby Digital klinkt het geluid van de vijf hoofdkanalen over het volle frequentiebereik volgens een zogenaamde "3/2" configuratie: drie voorkanalen (links, midden en rechts) en twee surroundkanalen. Een zesde kanaal, exclusief bestemd voor het baseeffect, is ook voorzien voor de weergave van LFE (laagfrequentie-effecten) of lage-baseeffecten die onafhankelijk zijn van de andere kanalen. (Dit kanaal wordt "LFE kanaal" genoemd.) Dit kanaal wordt geteld als 0.1 kanaal, zodat het systeem in totaal 5.1 kanalen omvat. U kunt genieten van een nooit eerder ervaren opwindende en realistische geluidswaergave dankzij het brede dynamische geluidsbereik dat door de vijf volfrequentiebereik-kanalen wordt voortgebracht, en dankzij de precieze geluidspositionering die door de digitale geluidsbewerking tot stand komt.

■ DTS (Digital Theater System) Digital Surround **

DTS werd ontwikkeld om de analoge sound-tracks van films te vervangen door digitale sound-tracks in zes afzonderlijke kanalen. Dit systeem wordt nu gebruikt in vele bioscopen over de hele wereld. Het DTS digitale waergavesysteem in zes onafhankelijke kanalen met voortreffelijk digitaal geluid biedt de bioscoopbezoeker een totaal nieuwe ervaring van films. Intensief wetenschappelijk onderzoek heeft het mogelijk gemaakt om de coderings-/decoderingstechnologie van het DTS bioscoopstelsysteem ook aan te wenden voor surroundgeluidswaergave in de huiskamer.

DTS Digital Surround is een coderings-/decoderingssysteem dat 20-bit geluid waergeeft in zes kanalen met een kwaliteit die gelijk is aan die van de oorspronkelijke studio-opname. Technisch gesproken bestaat het systeem uit 5.1 kanalen,

namelijk 5 kanalen met geluid over het volle frequentiebereik (linkerkanaal, middenkanaal, rechter kanaal en twee surroundkanalen), plus een "0.1" subwooferkanaal (LFE-kanaal). Het systeem kan worden gebruikt met de 5.1 luidsprekerconfiguraties voor huisbioscoopssystemen die momenteel op de markt verkrijgbaar zijn.

Opmerkingen

- Wanneer u met dit systeem een gewone CD waergeeft na het afspelen van een met DTS gecodeerde CD of LD, zijn mogelijk enkele bewerkingen, zoals het opnieuw instellen van de ingangsstand, vereist.
- Zelfs al zijn ze via een digitale verbinding op dit systeem aangesloten, is het mogelijk dat sommige CD-, LD- en DVD-spelers geen DTS-decodering of geluidswaergave met dit systeem toelaten. Dit komt omdat de verwerking van bepaalde digitale uitgangssignalen door een dergelijke speler kan resulteren in DTS-gecodeerde datafouten die de waergave verstoren. Het is ook mogelijk dat deze verwerking alleen een kleine verandering van het volume of van de frequentiewaergave in het normale digitale geluid veroorzaakt.
- Wanneer een fout optreedt in de digitale uitgangsgegevens van de speler tijdens de waergave van een met DTS gecodeerde LD of CD, kan de waergave worden verstoord. In dit geval moet u de waergave stopzetten en de speler uit- en opnieuw inschakelen.
- Bij de waergave van digitale geluidssignalen van de computer kunnen fouten in WAVE-signalen, enz. resulteren in ruis of waergavefouten.



Vervaardigd in licentie van Dolby Laboratories. "Dolby", "Pro Logic" en het dubbele D-symbool zijn handelsmerken van Dolby Laboratories. Vertrouwelijke onuitgegeven werken. ©1992-1997 Dolby Laboratories Inc. Alle rechten voorbehouden.



Gefabriceerd onder licentie van Digital Theater Systems, Inc. US Pat. No. 5,451,942 en overige wereldwijde patenten geregistreerd en in aanvraag. "DTS", "DTS Digital Surround" zijn handelsmerken van Digital Theater Systems, Inc. Auteursrecht 1996 Digital Theater Systems, Inc. Alle rechten voorbehouden.

Opstelling van de luidsprekers

Systemconfiguratie

Dit systeem bestaat uit een versterker, vijf satellietluidsprekers en een subwoofer. De drie satellietluidsprekers met een snoer van 3 m worden gebruikt als voorluidsprekers en middenluidspreker. De twee satellietluidsprekers met een snoer van 7 m worden gebruikt als surroundsprekers.

De rol van de verschillende luidsprekers

De voorluidsprekers geven het geluid van het hoofdkanaal weer. De surroundsprekers worden gebruikt voor geluidseffecten en de middenluidspreker wordt gebruikt voor middenklanken (dialogo, enz.). De subwoofer wordt gebruikt voor het weergeven van laagfrequente geluiden van de voor-, midden- en surroundkanalen. De subwoofer geeft ook geluiden van het subwooferkanaal weer wanneer een bron wordt afgespeeld die gecodeerd is met DTS of Dolby Digital.

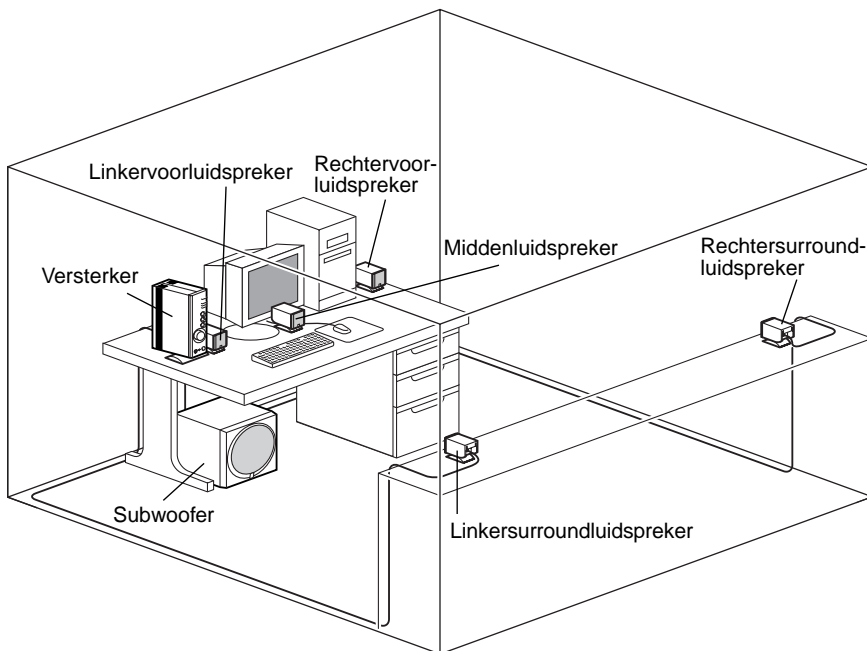
Aanbevolen luidsprekeropstelling

Alvorens u de aansluitingen gaat maken, alle luidsprekers respectievelijk in hun juiste posities plaatsen. De juiste plaatsing van de luidsprekers is belangrijk, aangezien hierdoor de totale geluidskwaliteit van dit systeem bepaald wordt.

Plaats de luidsprekers op basis van uw luisterpositie door onderstaande instructies te volgen.

* De satellietluidsprekers kunnen op een muur worden gemonteerd. (Zie de volgende bladzijde.)

- Voorluidsprekers:** Aan beide zijden van en ongeveer op dezelfde hoogte als de TV (of het computerscherm).
- Surroundluidsprekers:** Achter uw luisterpositie of aan beide zijden van de kamer.
- Middenluidspreker:** Precies tussen de voorluidsprekers.
* De middenluidspreker kan op het scherm worden geplaatst, zoals op de volgende bladzijde wordt getoond.
- Subwoofer:** Op de vloer. De positie van de subwoofer is niet van cruciaal belang, aangezien de lage bastonen niet bijzonder richtinggevoelig zijn.

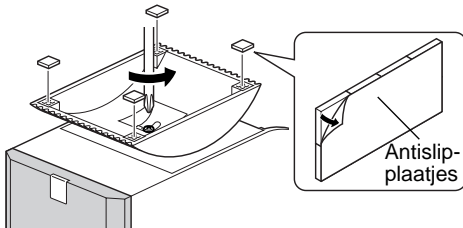


■ Instellen van de voorste hoek van de satellietluidsprekers

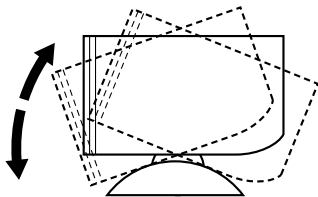
De voorste hoek van de satellietluidsprekers kan worden ingesteld zoals hieronder aangegeven.

1 Draai de schroef op de onderkant van de luidsprekersteun los.

- * Breng de bijgeleverde antislipplaatjes aan op de vier hoeken op de onderkant van de steun voor een betere stabiliteit.



2 Schuif de luidspreker op de steun in de gewenste positie en draai de schroef opnieuw vast.

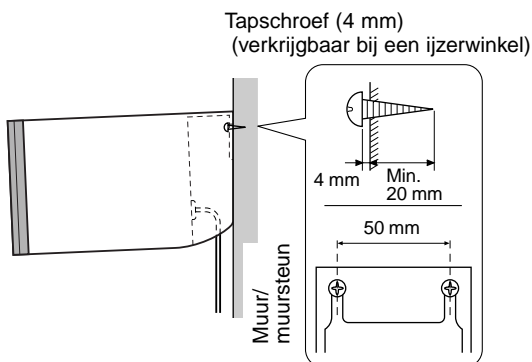


■ Monteren van de satellietluidsprekers op een muur

De satellietluidsprekers kunnen ook aan de muur worden opgehangen.

Draai de schroeven vast in een stevige muur of muursteen zoals getoond op de afbeelding en hang de gleuven op de achterkant van de luidspreker op aan de schroeven.

- * Zorg dat de schroeven goed in de gleuven zitten.



Waarschuwing

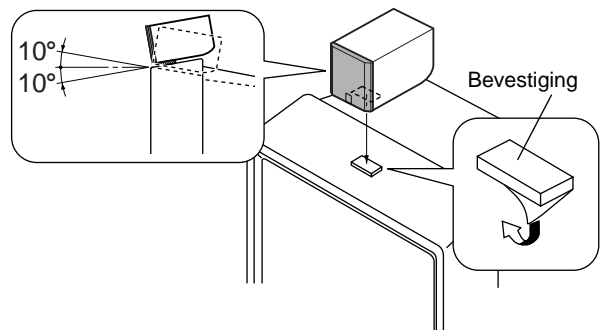
- Elke luidspreker weegt ongeveer 0,4 kg. Bevestig ze dus niet op dun triplex of aan een muur met een buitenlaag van zacht materiaal. In dat geval zouden de schroeven uit de dunne buitenlaag los kunnen raken waardoor de luidsprekers kunnen vallen. Dit kan beschadiging van de luidsprekers of persoonlijk letsel tot gevolg hebben.

- De luidsprekers niet met spijkers, kleefmiddelen of ander onstabiel materiaal aan de muur bevestigen. Als gevolg van langdurig gebruik en trillingen is het mogelijk dat de luidsprekers vallen.
- Ter voorkoming van ongelukken als gevolg van het struikelen over loshangende luidsprekersnoeren, dienen deze aan de muur bevestigd te worden.

■ Een middenluidspreker boven op het scherm plaatsen

Wanneer u de middenluidspreker boven op het scherm plaatst, moet u de steun van de luidspreker verwijderen en de bijgeleverde bevestiging op de onderkant van de luidspreker en op het bovenkant van het scherm aanbrengen zodat de luidspreker niet kan vallen.

- * Plaats de luidspreker niet boven op het scherm met een hellingsgraad van meer dan 10 graden ten opzichte van de horizontale stand.



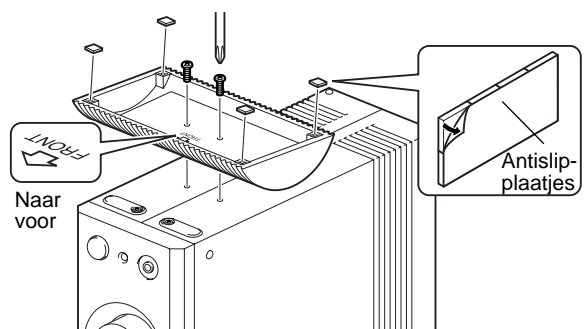
Opmerking

Hoewel deze luidspreker magnetisch afgeschermd is, is het niet uitgesloten dat er enige invloed op het beeld is, afhankelijk van het schermtype of de opstelling van de luidspreker. Plaats in dat geval de luidspreker verder van het scherm vandaan, zodanig dat het beeld niet langer wordt beïnvloed.

■ Bevestigen van de versterker op de bijgeleverde steun

Met het oog op een betere stabiliteit verdient het aanbeveling de versterker te bevestigen op de bijgeleverde steun met behulp van de bijgeleverde schroeven, zoals hieronder wordt getoond.

- * Breng de bijgeleverde antislipplaatjes aan op de vier hoeken op de onderkant van de steun voor een betere stabiliteit.



Aansluitingen

(Zie afbeelding 1 op de binnenkant van de voorste omslag.)

Let op: Steek de stekker van de versterker en van de andere apparaten pas in nadat alle aansluitingen zijn gemaakt.

A: Sluit de drie satellietluidsprekers met een snoer van 3 m aan op de aansluitingen **FRONT L, R** en **CENTER**. Sluit de twee satellietluidsprekers met een snoer van 7 m aan op de aansluitingen **SURROUND L** en **R**. Sluit de subwoofer aan op de aansluiting **SUBWOOFER**.

B: Sluit externe audio-/video-apparatuur (een personal computer, een spelconsole, een draagbare DVD/CD-speler, een videorecorder, enz. die weergavesignalen naar dit systeem sturen) aan op deze aansluitingen.

Voorzorgsmaatregelen

- Wanneer u de bijgeleverde netadapter op een bureau e.d. plaatst, moet u hem aan het bureau e.d. vastmaken om te voorkomen dat hij valt. Als de adapter valt, kan dit persoonlijk letsel of schade aan de adapter en/of andere apparatuur veroorzaken.
- De **SPEAKER OUTPUT**-aansluitingen op de achterkant van de versterker zijn speciaal voorzien voor het aansluiten van de meegeleverde luidsprekers. Sluit deze aansluitingen nooit aan op een AV-versterker of een vermogensversterker, want dit kan een verkeerde werking, brand en/of beschadiging van het systeem veroorzaken.

Bedieningsorganen & aansluitingen

(Zie afbeelding 2 op de binnenkant van de voorste omslag.)

1 INPUT-keuzetoets en -indicators

Druk herhaaldelijk op deze toets om te kiezen tussen de ingangstanden **DIGITAL**, **4CH** en **2CH**. De huidige stand wordt aangegeven door het oplichten van de overeenkomstige indicator.

DIGITAL:

Kies deze stand om signalen weer te geven die worden ontvangen via de aansluiting **OPTICAL** of **COAXIAL** op het achterpaneel. Wanneer zowel de aansluiting **OPTICAL** als de aansluiting **COAXIAL** signalen ontvangen, worden de signalen van de **OPTICAL**-aansluiting gekozen.

4CH:

Kies deze stand om signalen die worden ontvangen via de analoge ingangen **FRONT** en **SURROUND** op het achterpaneel weer te geven in de 4-kanaals surroundstand. (In deze stand wordt de middenluidspreker niet gebruikt.)

2CH:

Kies deze stand om signalen die worden ontvangen via de analoge ingang **FRONT** op het achterpaneel weer te geven. (In deze stand kan de surroundstand **PROLOGIC** worden gebruikt.)

2 MODE-keuzetoets en -indicators

Druk herhaaldelijk op deze toets om de gewenste surroundstand te kiezen: on (**DTS**, **DIGITAL**, **PROLOGIC**) of **off**. De huidige stand wordt aangegeven door het oplichten van de overeenkomstige indicator. Wanneer geen stand is gekozen, licht er geen indicator op.

* Als een met DTS of Dolby Digital gecodeerd signaal wordt ingevoerd terwijl de surroundstand is uitgeschakeld, licht de overeenkomstige indicator dof op.

DTS:

Kies deze stand om een ingangsbron weer te geven die gecodeerd is met DTS.

Deze stand kan alleen worden gekozen wanneer het ingangssignaal gecodeerd is met DTS en de ingangstand is ingesteld op **DIGITAL**.

DIGITAL:

Kies deze stand om een ingangsbron weer te geven die gecodeerd is met Dolby Digital.

Deze stand kan alleen worden gekozen wanneer het ingangssignaal gecodeerd is met Dolby Digital en de ingangstand is ingesteld op **DIGITAL**.

PROLOGIC:

Kies deze stand om een ingangsbron weer te geven die gecodeerd is met Dolby Prologic.

Deze stand kan niet worden gekozen wanneer de ingangstand **4CH** is.

3 TEST-toets

Druk op deze toets om een testtoon weer te geven via de luidsprekers. Elke luidspreker produceert een testtoon, zoals hieronder getoond. Op basis van de testtoon wordt de volumebalans tussen alle luidsprekers ingesteld.

FRONT L → CENTER → FRONT R
↑ SURROUND L ← SURROUND R ↓

* Niet alle luidsprekers produceren de testtoon, afhankelijk van de instelling van de **SPEAKER MODE**-schakelaar (13).

4 MUTE-toets en -indicator

Druk op deze toets om de geluidswaergave tijdelijk uit te schakelen. Wanneer deze functie actief is, licht de indicator op. Druk nogmaals op deze toets om de geluidswaergave opnieuw in te schakelen.

* De geluidswaergave wordt ook opnieuw ingeschakeld door dit systeem vanuit de standbystand in te schakelen en door de ingangstand of de surroundstand te veranderen.

5 CENTER-niveauregelaar

Deze regelaar wordt gebruikt om het geluidsniveau van de middenluidspreker in te stellen. Draai de regelaar naar rechts om het niveau te verhogen, draai hem naar links om het niveau te verlagen.

6 SURROUND-niveauregelaar

Deze regelaar wordt gebruikt om het geluidsniveau van de surroundluidsprekers in te stellen. Draai de regelaar naar rechts om het niveau te verhogen, draai hem naar links om het niveau te verlagen.

7 SUBWOOFER -niveauregelaar

Deze regelaar wordt gebruikt om het geluidsniveau van de subwoofer in te stellen. Draai de regelaar naar rechts om het niveau te verhogen, draai hem naar links om het niveau te verlagen.

8 MASTER VOLUME-regelaar

Deze regelaar wordt gebruikt om het algemene volumeniveau van dit systeem in te stellen. Draai de regelaar naar rechts om het niveau te verhogen, draai hem naar links om het niveau te verlagen.

9 Hoofdtelefoonaansluiting

Op deze ministekeraansluiting kan een stereo hoofdtelefoon worden aangesloten om privé te luisteren. Wanneer op deze aansluiting een hoofdtelefoon is aangesloten, wordt het geluid van de luidsprekers uitgeschakeld.

Het geluid van alle kanalen wordt gemengd tot 2 kanalen en weergegeven via de hoofdtelefoon.

10 Spanningsindicator

Licht op wanneer de spanning van dit systeem is ingeschakeld.

11 Spanningsschakelaar

Bij elke druk op deze schakelaar verandert de stand van het systeem van standby in ingeschakeld en omgekeerd. Wanneer de spanning is ingeschakeld, licht de spanningsindicator (10) op.

* Merk op dat dit systeem nog een kleine hoeveelheid energie verbruikt in de standbystand.

12 SPEAKER OUTPUTS

FRONT:

Sluit één satellietluidspreker met een snoer van 3 m aan op de aansluiting L en een andere op de aansluiting R. Zij worden gebruikt als voorluidsprekers.

SURROUND:

Sluit één satellietluidspreker met een snoer van 7 m aan op de aansluiting L en de andere op de aansluiting R. Zij worden gebruikt als surroundluidsprekers.

CENTER:

Sluit één satellietluidspreker met een snoer van 3 m aan op deze aansluiting. Hij wordt gebruikt als middenluidspreker.

S. WOOFER:

Sluit de subwoofer aan op deze aansluiting.

13 SPEAKER MODE-schakelaar

Normaal is deze schakelaar ingesteld op **5CH**. Stel deze schakelaar indien gewenst in op een andere stand.

5CH:

In deze stand worden alle luidsprekers gebruikt.

4CH:

Kies deze stand wanneer u de middenluidspreker niet gebruikt. In deze stand wordt het middengeluid weergegeven via de L- en R-voorluidsprekers.

2CH:

Kies deze stand wanneer u de midden- en surroundluidsprekers niet gaat gebruiken. In deze stand worden de geluiden van alle kanalen gemengd en als virtuele surroundgeluiden weergegeven via de linker- en de rechtervoorluidspreker. [De surroundluidsprekers geven dezelfde geluiden weer als de voorluidsprekers (met uitzondering van de testtoon).]

14 DC IN-aansluiting

Sluit de bijgeleverde netadapter aan op deze aansluiting.

15 DIGITAL INPUTS

Externe apparaten die beschikken over digitale signaaluitgangen kunnen op deze aansluitingen worden aangesloten.

Ingangssignalen die worden ontvangen via de **OPTICAL**-aansluiting hebben voorrang op signalen die worden ontvangen via de **COAXIAL**-aansluiting. Wanneer beide aansluitingen signalen ontvangen, geeft het systeem de signalen van de **OPTICAL**-aansluiting weer.

OPTICAL:

Sluit een extern apparaat (DVD-/CD-speler, MD-recorder, spelconsole, enz.) met een optische digitale signaaluitgang aan op deze aansluiting met behulp van de bijgeleverde optische kabel.

COAXIAL:

Sluit een extern apparaat (DVD-/CD-speler, MD-recorder, spelconsole, enz.) met een coaxiale digitale signaaluitgang aan op deze aansluiting met behulp van de bijgeleverde RCA-penstekkerkabel.

16 ANALOG INPUTS

Sluit de analoge signaaluitgangen van een extern apparaat aan op deze ministekeraansluitingen met behulp van de bijgeleverde ministekkerkabel of in de handel verkrijgbare pen-ministekkerkabels.

FRONT:

Sluit een analoge (stereo) signaaluitgang van een extern apparaat aan op deze aansluiting met behulp van een bijgeleverde ministekkerkabel. Wanneer u een geluidskaart van een computer met vier kanaaluitgangen aansluit, moet u de voorkanaaluitgang van de geluidskaart op deze aansluiting aansluiten.

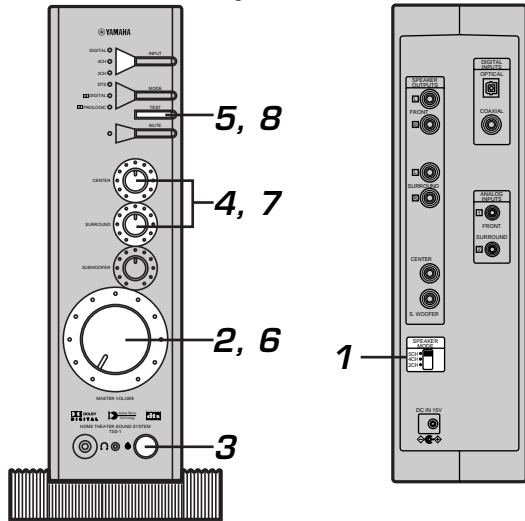
SURROUND:

Wanneer u een geluidskaart van een computer met vier kanaaluitgangen aansluit, moet u de achterkanaaluitgang van de geluidskaart op deze aansluiting aansluiten.

Instellen van de luidsprekerbalans

Aan de hand van deze procedure stelt u de balans van de geluidsuitvoer tussen de voor-, midden- en surroundluidsprekers in met behulp van de ingebouwde testtoongenerator. Stel de balans zo in dat het geluidsniveau van elke luidspreker ongeveer hetzelfde is vanuit de luisterpositie. Dit is belangrijk met het oog op een optimale werking van de ingebouwde DTS-decoder en Dolby Digital-decoder.

* Zodra u deze instelling gemaakt hebt, kunt u het hoofdvolume van dit systeem alleen instellen met de **MASTER VOLUME**-regelaar.



1 Stel de **SPEAKER MODE**-schakelaar in op "5CH" als deze in een andere stand staat.

2 Draai de **MASTER VOLUME**-regelaar volledig naar links om het volume in de minimumstand te zetten.

3 Schakel dit systeem in.

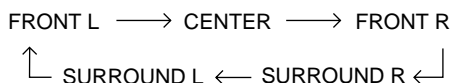
4 Zet de **CENTER**- en **SURROUND**-niveauregelaars in de middelste stand.



5 Druk op de **TEST**-toets.

6 Stel het hoofdvolume in op het gewenste niveau.

* U zal een testtoon (roze ruis) horen uit de verschillende luidspreker gedurende ongeveer twee seconden in deze volgorde.



7 Stel de **CENTER**- en **SURROUND**-niveauregelaars tijdens het luisteren naar een reeks testtonen ongeveer op hetzelfde niveau in als het niveau van de voorluidsprekers.

* Stel de rechts-links volumebalans van de voorluidsprekers en van de surroundluidsprekers in door de positie van elke luidspreker te veranderen.

8 Druk wanneer u klaar bent met instellen op de **TEST**-toets.

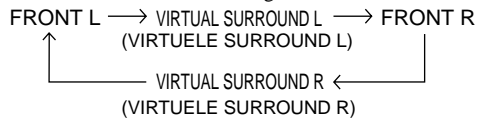
* De testtoon stopt.

Opmerkingen

• Wanneer de **SPEAKER MODE**-schakelaar is ingesteld op "4CH": De testtoon voor het middenkanaal wordt tegelijkertijd via de linker- en de rechtersurroundluidspreker weergegeven.

Wanneer de **SPEAKER MODE**-schakelaar is ingesteld op "2CH":

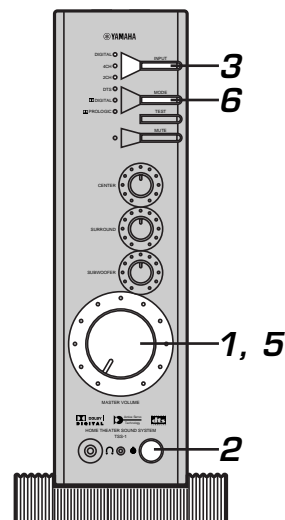
De testtonen voor het linker- en het rechtersurroundkanaal worden respectievelijk via de linker- en de rechtersurroundluidspreker weergegeven. De volgorde voor de uitvoer van de testtonen is als volgt.



• Stel het niveau van de subwoofer in terwijl u luistert naar het weergavegeluid van een bron.

Weergave van een bron

In dit deel wordt uitgelegd hoe u dit systeem inschakelt en ingangsbronnen kiest. Schakel het externe audioapparaat in dat u gaat gebruiken alvorens dit systeem in te schakelen.



1 Draai de **MASTER VOLUME**-regelaar volledig naar links om het volume in de minimumstand te zetten.

2 Schakel dit systeem in.

3 Kies de gewenste ingangsstand met de **INPUT**-keuzetoets.

* De indicator van de gekozen ingangsstand licht op.

* Zie "Bedieningsorganen & aansluitingen" op blz. 6 voor nadere bijzonderheden over de ingangsstanden.

4 Geef de bron weer op het externe apparaat.

5 Stel het volume in op het gewenste niveau.

6 Kies de gewenste surroundstand.

* Zie "Bedieningsorganen & aansluitingen" op blz. 6 voor nadere bijzonderheden over de surroundstanden.

Verhelpen van problemen

Raadpleeg de onderstaande tabel als dit systeem niet goed werkt. Als het probleem niet in dit schema voorkomt, of als de instructies het probleem niet oplossen, moet u de netadapter uittrekken en contact opnemen met uw erkende YAMAHA-dealer of servicecentrum.

Probleem	Oorzaak	Oplossing
Er komt geen geluid uit de luidsprekers of de subwoofer.	De stekker van de netadapter zit niet stevig in het stopcontact.	Steek de stekker van de netadapter stevig in een werkend wandstopcontact.
	De spanning van de versterker staat in de standbystand.	Schakel de spanning in met de spanningsschakelaar. (De spanningsindicator zal dan oplichten.)
	Er is iets mis met de aansluitingen.	Sluit opnieuw aan.
	De verkeerde ingangsstand is gekozen.	Kies de juiste ingangsstand met de INPUT-keuzetoets.
	Het volume staat te laag.	Draai de MASTER VOLUME-regelaar naar rechts om het volume te verhogen.
	De MUTE-functie is actief. (De indicator links van de MUTE-toets brandt.)	Druk op de MUTE-toets om deze functie te annuleren.
Er komt geen geluid uit de surroundluidsprekers	De SURROUND-niveauregelaar staat in de minimumstand.	Draai de SURROUND-niveauregelaar naar rechts om het niveau te verhogen.
	De surroundstand is uitgeschakeld.	Kies de juiste surroundstand met de MODE-toets. Als geen stand kan worden gekozen, moet u de ingansbron veranderen in een andere bron die gecodeerd is met DTS, Dolby Digital of Dolby Prologic.
Er komt geen geluid uit de middenluidspreker	De CENTER-niveauregelaar staat in de minimumstand.	Draai de CENTER-niveauregelaar naar rechts om het niveau te verhogen.
	De SPEAKER MODE-schakelaar op het achterpaneel van de versterker staat op "2CH" of "4CH".	Stel de SPEAKER MODE-schakelaar in op "5CH".
	De surroundstand is uitgeschakeld.	Kies de juiste surroundstand met de MODE-toets. Als geen stand kan worden gekozen, moet u de ingansbron veranderen in een andere bron die gecodeerd is met DTS, Dolby Digital of Dolby Prologic.
Er komt geen geluid uit de midden- en de surroundluidsprekers, hoewel de DTS- of DIGITAL-indicator, dof brandt.	Het dof oplichten van een indicator betekent dat signalen die gecodeerd zijn met het overeenkomstige formaat (DTS of Dolby Digital) in het systeem worden ingevoerd. In dit geval worden de signalen gemengd tot 2 kanalen en uitsluitend via de voorluidsprekers weergegeven.	Druk op de MODE-toets voor het juiste geluidsformaat. De indicator licht helder op en de midden- en de surroundluidsprekers geven het geluid weer van het gedecodeerde surroundformaat.
Hoewel een met Dolby Digital gecodeerde bron wordt ingevoerd in dit systeem, brandt de DIGITAL-indicator dof en brandt de PROLOGIC-indicator helder.	Een bron met Dolby Digital 2-kanaalsgeluid wordt in dit systeem ingevoerd.	Hoewel een met Dolby Digital gecodeerde bron wordt ingevoerd in dit systeem, brandt de DIGITAL-indicator dof en brandt de PROLOGIC-indicator helder. Als de ingansbron compatibel is met 5.1 kanalen, kiest u de "5.1-kanaalsstand" op de speler die signalen verstuurt naar dit systeem.
Het geluid is vervormd.	Het niveau van het ingangssignaal is te laag.	Verlaag het volume van de aangesloten geluidsbron.
Ruis.	Er is iets mis met de aansluitingen.	Verhoog het volume van de aangesloten geluidsbron.
	Het niveau van het ingangssignaal is te hoog.	Sluit opnieuw aan.
	De versterker bevindt zich dicht bij het scherm.	Plaats de versterker verder van het scherm.

Specificaties

Versterker

Uitgangsvermogen per kanaal

..... Satellietluidsprekers: 6 W (1 kHz, 4 Ω, 10% THD)
Subwoofer: 18 W (100 Hz, 4 Ω, 10% THD)

Ingangsgevoeligheid 200 mV

Uitgangsniveau/Uitgangsimpedantie van hoofdtelefoonaansluiting

..... 450 mV/30 Ω (1 kHz, 200 mV)

Frequentiebereik 40 Hz tot 20 kHz

Afmetingen (B x H x D) 113 mm x 272 mm x 206 mm

Gewicht 1,5 kg

Satellietluidspreker

Type Luidsprekersysteem voor volledig bereik
Magnetisch afgeschermd

Aandrijving conus in sparrenhout van 5 cm

Impedantie 4 Ω

Afmetingen (B x H x D) 70 mm x 95 mm x 118 mm

Weight 0,4 kg

Subwoofer

Type Active Servo Processing subwoofersysteem

Aandrijving conuswoofer van 13 cm
Magnetisch afgeschermd

Impedantie 4 Ω

Afmetingen (B x H x D) 220 mm x 224 mm x 222 mm

Gewicht 3,4 kg

Accessoires

Netadapter (PA-SR601) x 1
Stereo-ministekkerkabel (1,8 m) x 2
Vezeloptische kabel (1,0 m) x 1
RCA penstekkerkabel (1,8 m) x 1
Steun voor versterker x 1
Schroef x 2
Antislipplaatje x 24
Bevestiging x 1

* Alle specificaties zijn onder voorbehoud en kunnen zondere nadere kennisgeving worden gewijzigd.

